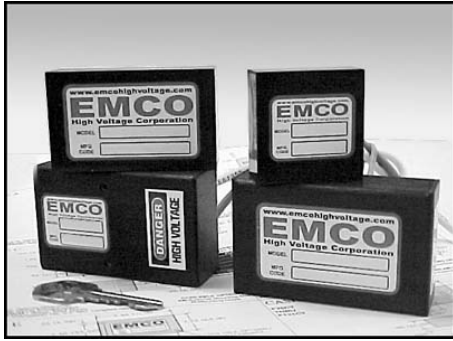


# DUAL POLARITY HIGH VOLTAGE MODULES

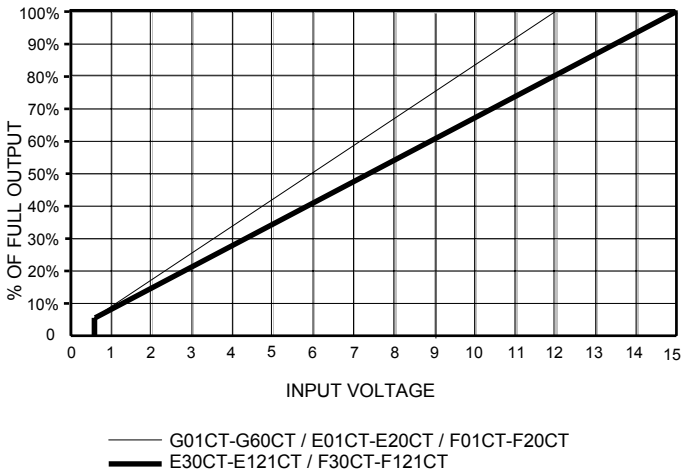
0 to + and - 50 through + and - 6000 VDC, @ 1.5, 3, and 10 Watts

CT SERIES



The CT Series is a line of compact high voltage modules that provide + and - 50 volts through + and - 6000 volts at 1.5w, 3w, and 10 watts\*<sup>1</sup> with an output center tap feature which, when grounded, provides both positive and negative high voltage outputs from one, compact, low cost module. All CT models feature an isolated output, low ripple, and low EMI/RFI by incorporating a quasi-sinewave oscillator, fully enclosed transformer, low leakage current and input/output filtering. Positive and negative load currents can be balanced to keep positive and negative voltages approximately equal. Call, fax or e-mail with your requirements for immediate attention. Technical assistance is readily available.

TYPICAL INPUT vs. OUTPUT VOLTAGES



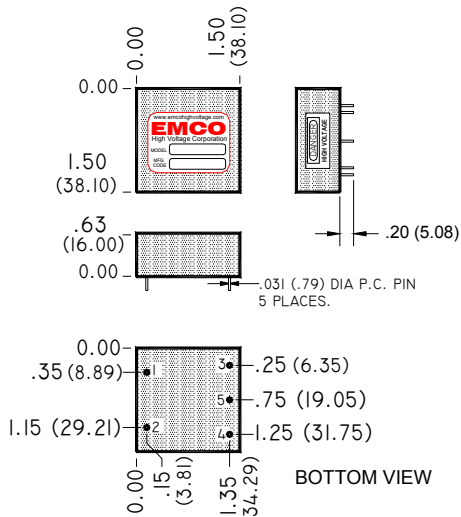
- \*Notes 1. At Maximum Rated Output Voltage
- 2. Measured between the + and - output terminals.
- 3. Output Voltage is load dependent. Under light or no load conditions, reduce input voltage so maximum rated output voltage is not exceeded.
- 4. Specifications after 30 minute warm-up, full load, at 25°C unless otherwise noted.
- 5. The rated output current is available at full output voltage and must be derated proportionally as the input voltage decreases. For example: a 500V, 1.5W unit, rated at 3mA at 500V will provide 1.5mA at 250V out.

MODEL <sup>+4</sup>	POWER	OUTPUT <sup>+3</sup> VOLTAGE	OUTPUT <sup>+5</sup> CURRENT	INPUT VOLTAGE	INPUT <sup>+1</sup> CURRENT (NO LOAD)	INPUT <sup>+1</sup> CURRENT (FULL LOAD)	RIPPLE <sup>+2</sup> P-P
G01CT	1.5w	0 to +/- 50v	15 mA	0 to 12v	<100 mA	<250 mA	<1.75 %
G02CT		0 to +/- 100v	7.5 mA	0 to 12v	<100 mA	<250 mA	<0.75 %
G03CT		0 to +/- 150v	5 mA	0 to 12v	<100 mA	<250 mA	<0.75 %
G04CT		0 to +/- 200v	3.75 mA	0 to 12v	<100 mA	<250 mA	<0.10 %
G05CT		0 to +/- 250v	3 mA	0 to 12v	<100 mA	<250 mA	<0.02 %
G06CT		0 to +/- 300v	2.5 mA	0 to 12v	<100 mA	<250 mA	<0.10 %
G10CT		0 to +/- 500v	1.5 mA	0 to 12v	<100 mA	<250 mA	<0.10 %
G12CT		0 to +/- 600v	1.25 mA	0 to 12v	<150 mA	<275 mA	<0.10 %
G15CT		0 to +/- 750v	1 mA	0 to 12v	<125 mA	<275 mA	<0.50 %
G20CT		0 to +/- 1000v	0.75 mA	0 to 12v	<165 mA	<275 mA	<0.50 %
G25CT		0 to +/- 1250v	0.6 mA	0 to 12v	<125 mA	<275 mA	<1.0 %
G30CT		0 to +/- 1500v	0.5 mA	0 to 12v	<125 mA	<300 mA	<1.0%
G40CT	0 to +/- 2000v	0.37 mA	0 to 12v	<125 mA	<300 mA	<1.0 %	
G50CT	0 to +/- 2500v	0.3 mA	0 to 12v	<125 mA	<300 mA	<2.0 %	
G60CT	0 to +/- 3000v	0.25 mA	0 to 12v	<125 mA	<300 mA	<2.0 %	
E01CT	3w	0 to +/- 50v	30 mA	0 to 12v	<175 mA	<425 mA	<1.5%
E02CT		0 to +/- 100v	15 mA	0 to 12v	<125 mA	<400 mA	<0.25 %
E02-5CT		0 to +/- 125v	12 mA	0 to 12v	<125 mA	<400 mA	<0.75 %
E03CT		0 to +/- 150v	10 mA	0 to 12v	<125 mA	<400 mA	<1.0 %
E05CT		0 to +/- 250v	6 mA	0 to 12v	<150 mA	<400 mA	<0.02 %
E06CT		0 to +/- 300v	5 mA	0 to 12v	<175 mA	<400 mA	<0.1%
E07-5CT		0 to +/- 375v	4 mA	0 to 12v	<125 mA	<400 mA	<0.02 %
E08CT		0 to +/- 400v	3.75 mA	0 to 12v	<125 mA	<400 mA	<0.03 %
E10CT		0 to +/- 500v	3 mA	0 to 12v	<125 mA	<400 mA	<0.03 %
E12CT		0 to +/- 600v	2.5 mA	0 to 12v	<125 mA	<400 mA	<0.02 %
E15CT		0 to +/- 750v	2 mA	0 to 12v	<150 mA	<400 mA	<0.05 %
E20CT		0 to +/-1000v	1.5 mA	0 to 12v	<175 mA	<425 mA	<0.25 %
E30CT	0 to +/- 1500v	1 mA	0 to 15v	<175 mA	<400 mA	<0.25 %	
E40CT	0 to +/- 2000v	0.75 mA	0 to 15v	<175 mA	<400 mA	<0.50 %	
E50CT	0 to +/- 2500v	0.6 mA	0 to 15v	<175 mA	<400 mA	<0.50 %	
E60CT	0 to +/- 3000v	0.5 mA	0 to 15v	<175 mA	<400 mA	<0.50 %	
E70CT	0 to +/- 3500v	0.43 mA	0 to 15v	<175mA	<350 mA	<1.00 %	
E80CT	0 to +/- 4000v	0.25 mA	0 to 15v	<175 mA	<300 mA	<1.00 %	
E101CT	0 to +/- 5000v	0.2 mA	0 to 15v	<175 mA	<300 mA	<1.50 %	
E121CT	0 to +/- 6000v	0.16 mA	0 to 15v	<175 mA	<300 mA	<1.50 %	
F01CT	10w	0 to +/- 50v	100 mA	0 to 12v	<500 mA	<1.75 A	<1.0 %
F02CT		0 to +/- 100v	50 mA	0 to 12v	<500 mA	<1.5 A	<1.0 %
F03CT		0 to +/- 150v	33.3 mA	0 to 12v	<500 mA	<1.5 A	<1.0 %
F04CT		0 to +/- 200v	25 mA	0 to 12v	<500 mA	<1.5 A	<1.0 %
F05CT		0 to +/- 250v	20 mA	0 to 12v	<500 mA	<1.5 A	<0.1 %
F06CT		0 to +/- 300v	16 mA	0 to 12v	<500 mA	<1.5 A	<0.1 %
F08CT		0 to +/- 400v	12.5 mA	0 to 12v	<500 mA	<1.5 A	<0.1 %
F10CT		0 to +/- 500v	10 mA	0 to 12v	<500 mA	<1.5 A	<0.1 %
F12CT		0 to +/- 600v	8.33 mA	0 to 12v	<500 mA	<1.5 A	<0.1 %
F15CT		0 to +/- 750v	6.6 mA	0 to 12v	<500 mA	<1.5 A	<0.1 %
F20CT		0 to +/- 1000v	5 mA	0 to 12v	<500 mA	<1.5 A	<1.0 %
F30CT		0 to +/- 1500v	3.3 mA	0 to 15v	<500 mA	<1.5 A	<1.0 %
F40CT	0 to +/- 2000v	2.5 mA	0 to 15v	<500 mA	<1.5 A	<1.0 %	
F50CT	0 to +/- 2500v	2 mA	0 to 15v	<500 mA	<1.5 A	<1.0 %	
F60CT	0 to +/- 3000v	1.66 mA	0 to 15v	<500 mA	<1.5 A	<1.0 %	
F70CT	0 to +/- 3500v	1.5 mA	0 to 15v	<500 mA	<1.5 A	<2.5 %	
F80CT	0 to +/- 4000v	1.25 mA	0 to 15v	<500 mA	<1.5 A	<5.0 %	
F101CT	0 to +/- 5000v	1 mA	0 to 15v	<500 mA	<1.5 A	<5.0 %	
F121CT	0 to +/- 6000v	.834mA	0 to 15v	<500 mA	<1.5 A	<5.0 %	

e-mail sales@emcohighvoltage.com  
 Web site www.emcohighvoltage.com

Phone (209) 267-1630 Fax (209) 267-0282  
 70 Forest Products Road, Sutter Creek CA 95685

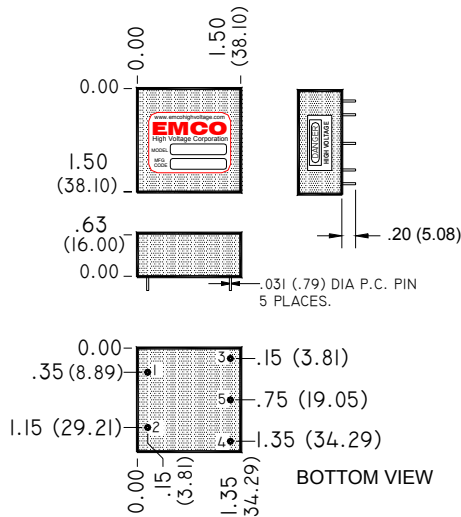
**G01CT  
THRU  
G20CT**



**AVAILABLE OPTIONS**  
 AB-External Mounting Box  
 Epoxy: **A.** Low Outgassing (NASA approved per ASTM E-595-93)  
**B.** UL 94 V0 flammability rating  
 RoHS(- 'R' suffix denotes the product is designed to meet RoHS requirements i.e G20CTR)

**WEIGHT:** 1.5 oz. Approx. (42grams)  
**PACKAGING:** Epoxy Encapsulated  
**CASE MATERIAL:** Glass-filled epoxy  
**PINS:** 0.031" Diameter(0.76), 0.2" Long(5.08)

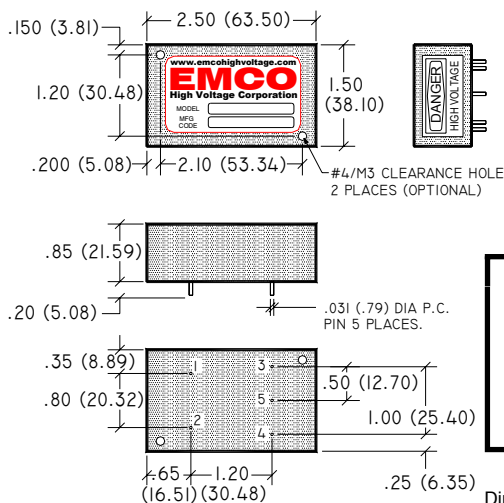
**G25CT  
THRU  
G60CT**



**AVAILABLE OPTIONS**  
 AB-External Mounting Box  
 Epoxy: **A.** Low Outgassing (NASA approved per ASTM E-595-93)  
**B.** UL 94 V0 flammability rating  
 RoHS(- 'R' suffix denotes the product is designed to meet RoHS requirements i.e G50CTR)

**WEIGHT:** 1.5 oz. Approx.(42grams)  
**PACKAGING:** Epoxy Encapsulated  
**CASE MATERIAL:** Glass-filled epoxy  
**PINS:** 0.031" Diameter(0.76), 0.2" Long(5.08)

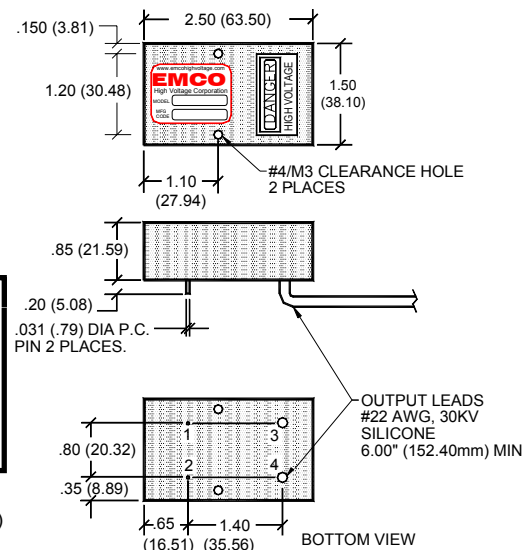
**E01CT  
THRU  
E60CT**



**AVAILABLE OPTIONS**  
 AB-External Mounting Box  
 H- Mounting Holes  
 Epoxy: **A.** Low Outgassing (NASA approved per ASTM E-595-93)  
**B.** UL 94 V0 flammability rating  
 RoHS(- 'R' suffix denotes the product is designed to meet RoHS requirements i.e E01CTR)

**WEIGHT:** 3 oz. Approx.(85grams)  
**PACKAGING:** Epoxy Encapsulated  
**CASE MATERIAL:** Glass- filled Epoxy

**E70CT  
THRU  
E121CT**



**TABLE APPLIES TO ALL CASES**

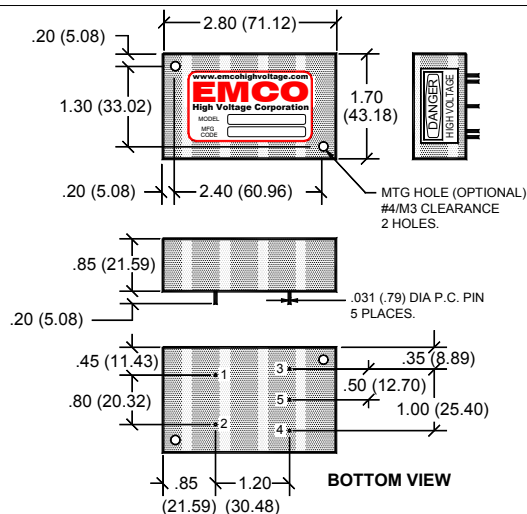
PIN #	FUNCTION
1	(+) Input
2	(-) Input
3	(+) Output
4	(-) Output
5	Output Center Tap

Dimensions are in Inches  
 Dimensional Tolerances: ± .03 (.76mm)  
 (Metric Equivalents in

**AVAILABLE OPTIONS**  
 AB-External Mounting Box  
 H- Mounting Holes  
 Epoxy: **A.** Low Outgassing (NASA approved per ASTM E-595-93)  
**B.** UL 94 V0 flammability rating  
 RoHS(- 'R' suffix denotes the product is designed to meet RoHS requirements i.e E70CTR)

**WEIGHT:** 3 oz. Approx.(85grams)  
**PACKAGING:** Epoxy Encapsulated  
**CASE MATERIAL:** Glass- filled Epoxy

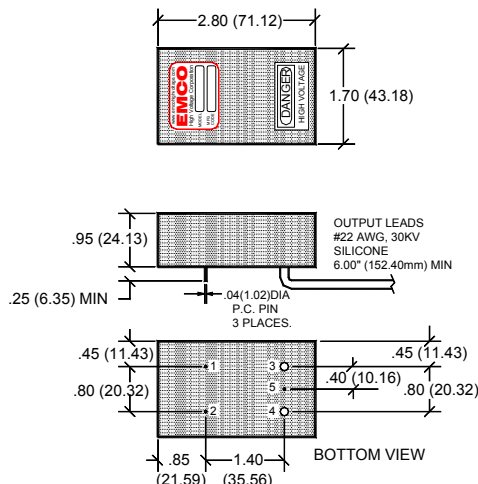
**F01CT  
THRU  
F60CT**



**AVAILABLE OPTIONS**  
 H- Mounting Holes  
 Epoxy: **A.** Low Outgassing (NASA approved per ASTM E-595-93)  
**B.** UL 94 V0 flammability rating  
 RoHS(- 'R' suffix denotes the product is designed to meet RoHS requirements i.e F60CTR)

**WEIGHT:** 4 oz. Approx (113 grams)  
**PACKAGING:** Epoxy Encapsulated  
**CASE MATERIAL:** Aluminum

**F80CT  
THRU  
F121CT**



**AVAILABLE OPTIONS**  
 Epoxy: **A.** Low Outgassing (NASA approved per ASTM E-595-93)  
**B.** UL 94 V0 flammability rating  
 RoHS(- 'R' suffix denotes the product is designed to meet RoHS requirements i.e F121CTR)

**WEIGHT:** 4 oz. Approx(113 grams)  
**PACKAGING:** Epoxy Encapsulated  
**CASE MATERIAL:** Aluminum