

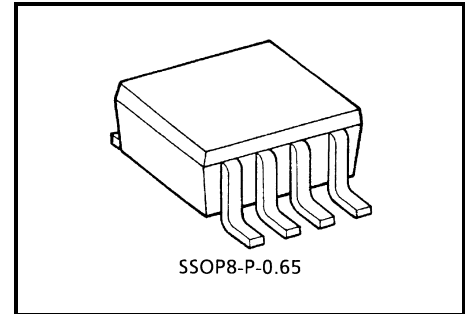
TOSHIBA Bipolar Linear Integrated Circuit Silicon Monolithic

# TA4023F

VHF-UHF Wide Band Amplifier Applications

## Features

- High gain:  $|S_{21}|^2 = 28\text{dB}$  (@45 MHz)
- Low distortion:  $IM_3 = 51\text{dBc}$  (@45 MHz)
- Operating supply voltage:  $V_{CC} = 4.75\text{ V} \sim 5.25\text{ V}$



Weight: 0.02g (typ.)

## Absolute Maximum Ratings (Ta = 25°C)

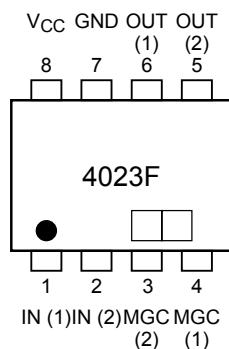
Characteristics	Symbol	Rating	Unit
Supply voltage	$V_{CC}$	5.5	V
Total power dissipation	$P_D$ (Note 1)	550	mW
Operating temperature	$T_{opr}$	-40~85	°C
Storage temperature	$T_{stg}$	-55~150	°C

Note: Using continuously under heavy loads (e.g. the application of high temperature/current/voltage and the significant change in temperature, etc.) may cause this product to decrease in the reliability significantly even if the operating conditions (i.e. operating temperature/current/voltage, etc.) are within the absolute maximum ratings and the operating ranges.

Please design the appropriate reliability upon reviewing the Toshiba Semiconductor Reliability Handbook ("Handling Precautions"/"Derating Concept and Methods") and individual reliability data (i.e. reliability test report and estimated failure rate, etc).

Note 1: When mounted on a glass epoxy PCB (35 × 30 × 0.4 t mm).

## Pin Assignment



**Electrical Characteristics (Ta = 25°C, VCC = 5 V, ZS = ZL = 50 Ω)**

Characteristics	Symbol	Test Circuit	Test Condition	Min.	Typ.	Max.	Unit
Circuit current	Icc	Fig1	Non carrier	22	28	36	mA
Insertion gain (1)	$ S_{21} ^2(1)$		f=45MHz,ZL=50Ω,MGC=Short	25	28	31	dB
Insertion gain (2)	$ S_{21} ^2(2)$	Fig2	f=45MHz,ZL=50Ω,MGC=Open	—	9	—	dB
Noise figure	NF	Fig3	f = 45MHz	—	8	11	dB
Band width	BW	Fig4	(Note 2)	—	500	—	MHz
Input return loss	$ S_{11} ^2$		f = 45MHz	—	-0.3	—	dB
Isolation	$ S_{12} ^2$		f = 45MHz	—	-51	—	dB
Output return loss	$ S_{22} ^2$		f = 45MHz	—	-5	—	dB
3 <sup>rd</sup> order inter modulation	IM3	Fig1	f1 = 45 MHz, f2 = 44 MHz, Pin = -33dBmW, ZL=50Ω	42	51	—	dBc

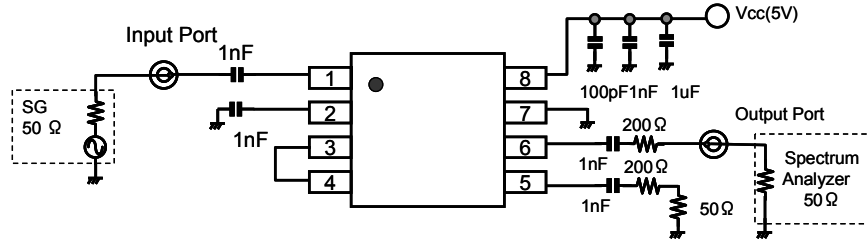
Note 2: BW is 3dB lower than  $|S_{21}|^2$  at 45 MHz.

**CAUTION:**

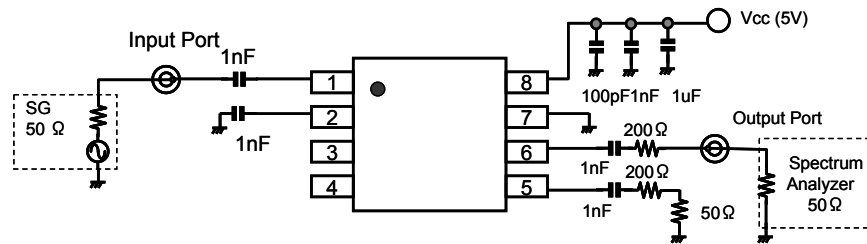
This device is sensitive to electrostatic discharge.

Please ensure equipment and tools are adequately earthed when handling.

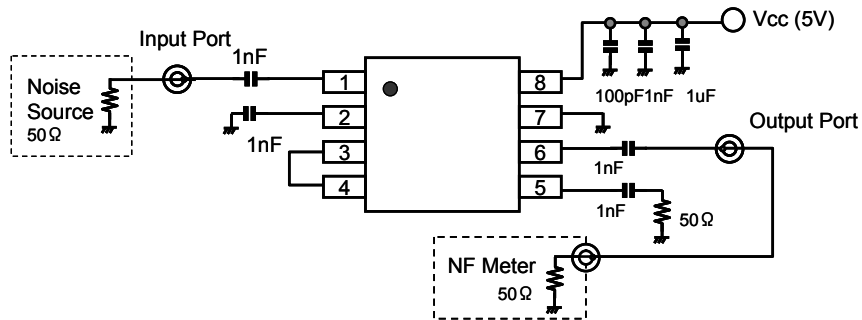
**Test Circuit**



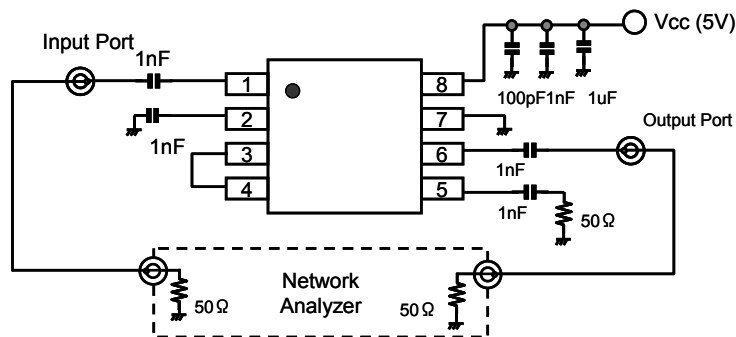
**Figure 1 Measurement circuit (MGC:Short)**



**Figure 2 Measurement circuit (MGC:Open)**



**Figure 3 Measurement circuit**



**Figure 4 Measurement circuit**

Equivalent circuit

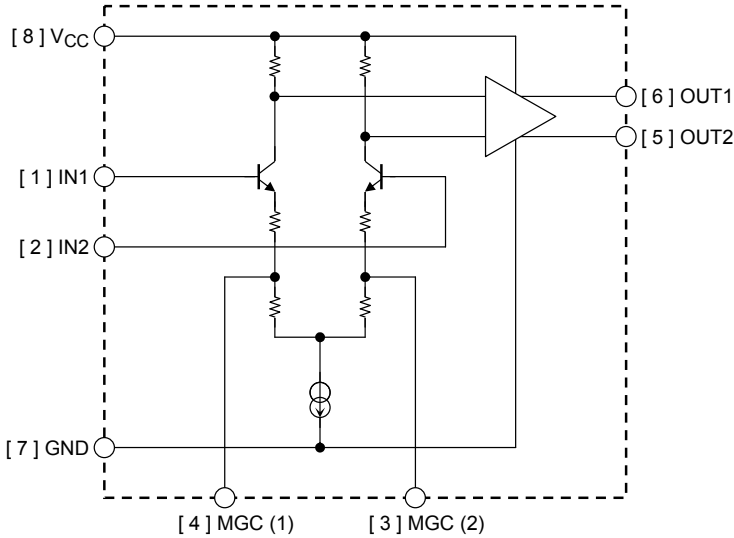


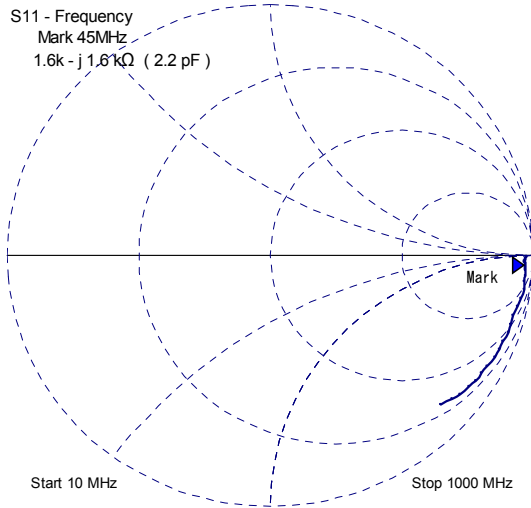
Figure 5 Equivalent circuit

**Input / Output Impedance ( Ta=25°C, V<sub>CC</sub>=5V, Measurement circuit : Fig 4 )**

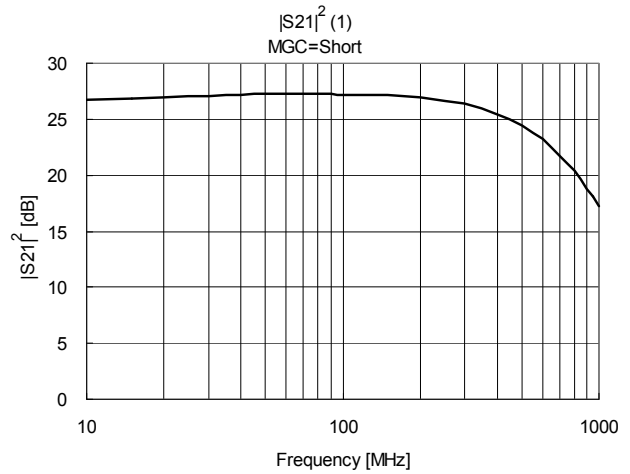
Characteristics	Symbol	Test Circuit	Test Condition	Typ.	Unit
Input Impedance	Z <sub>in</sub>	Fig 4	f = 45MHz	1.6k - j 1.6k	Ω
Output Impedance	Z <sub>out</sub>	Fig 4	f = 45MHz	15.2 - j 1.4	Ω

**S-Parameter ( Ta=25°C, V<sub>CC</sub>=5V, Measurement circuit : Fig 4 )**

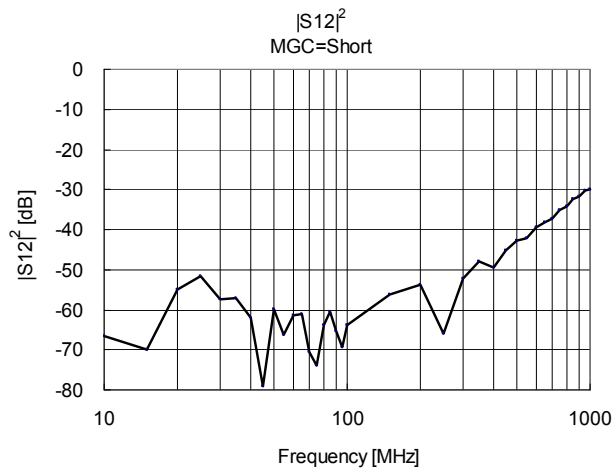
**S11**



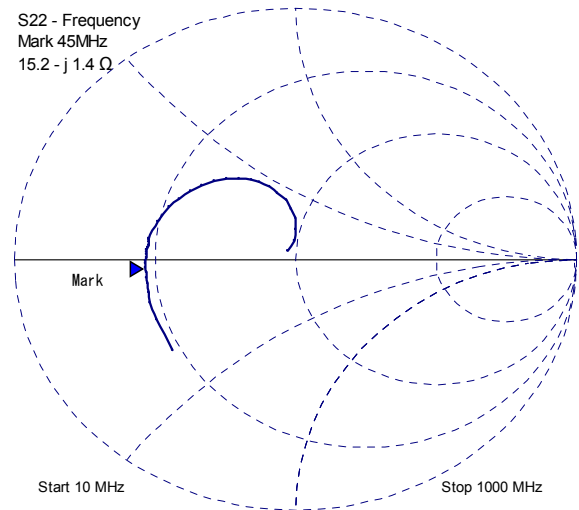
**|S21|<sup>2</sup>**



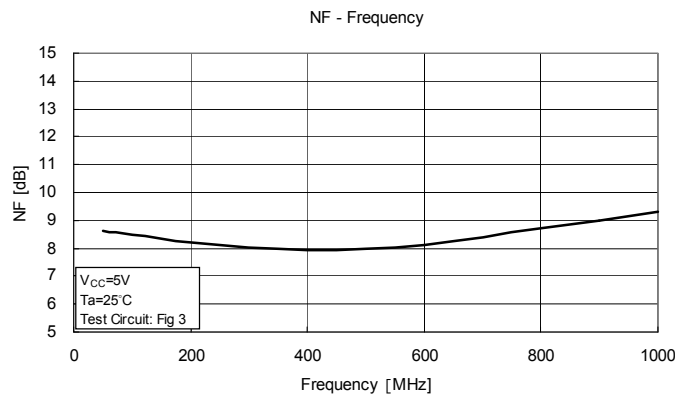
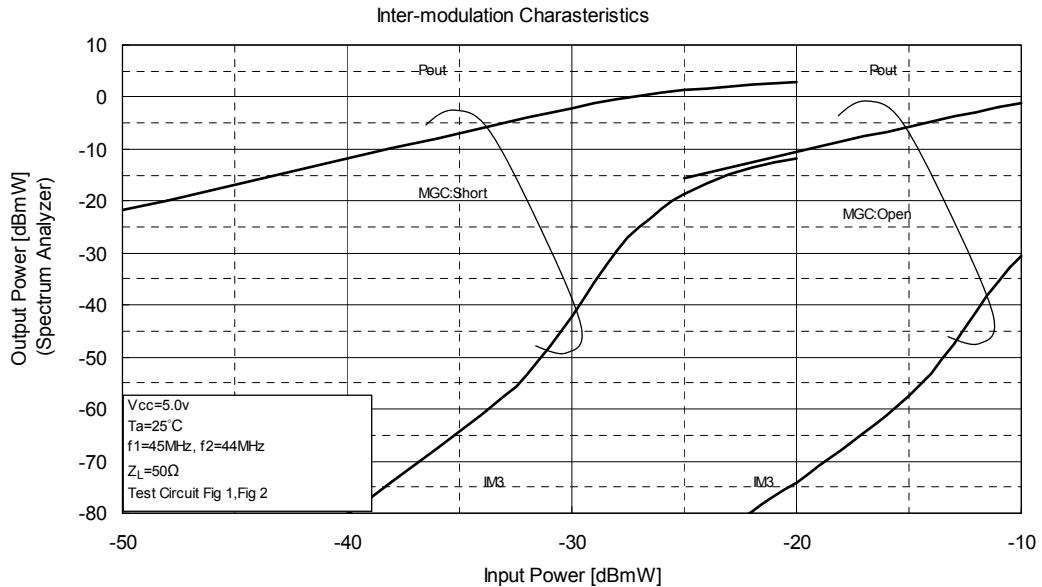
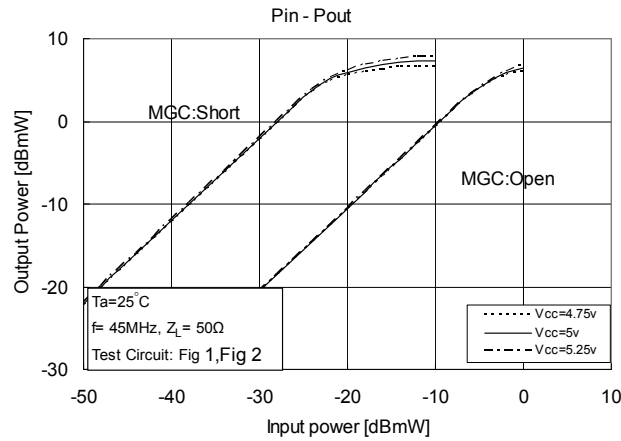
**|S12|<sup>2</sup>**



**S22**



Typical Characteristics



Notice

The circuits and measurements contained in this document are given only as examples of applications for these products.

Moreover, these example application circuits are not intended for mass production, since the high-frequency characteristics (the RF characteristics) of these devices will be affected by the external components which the customer uses, by the design of the circuit and by various other conditions.

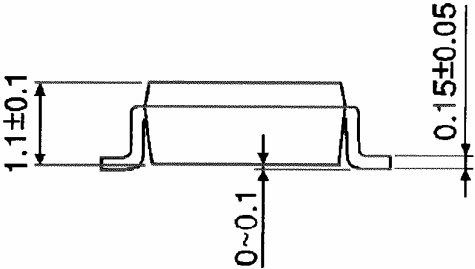
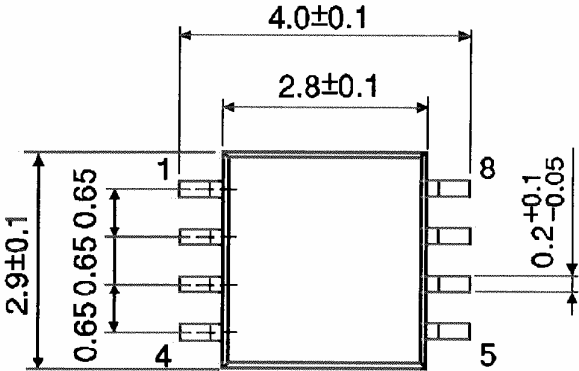
It is the responsibility of the customer to design external circuits which correctly implement the intended application, and to check the characteristics of the design.

TOSHIBA assume no responsibility for the integrity of customer circuit designs or applications.

Package Dimensions

SSOP8-P-0.65

Unit : mm



Weight: 0.02g (typ.)

**RESTRICTIONS ON PRODUCT USE**

20070701-EN GENERAL

- The information contained herein is subject to change without notice.
- TOSHIBA is continually working to improve the quality and reliability of its products. Nevertheless, semiconductor devices in general can malfunction or fail due to their inherent electrical sensitivity and vulnerability to physical stress. It is the responsibility of the buyer, when utilizing TOSHIBA products, to comply with the standards of safety in making a safe design for the entire system, and to avoid situations in which a malfunction or failure of such TOSHIBA products could cause loss of human life, bodily injury or damage to property.  
In developing your designs, please ensure that TOSHIBA products are used within specified operating ranges as set forth in the most recent TOSHIBA products specifications. Also, please keep in mind the precautions and conditions set forth in the "Handling Guide for Semiconductor Devices," or "TOSHIBA Semiconductor Reliability Handbook" etc.
- The TOSHIBA products listed in this document are intended for usage in general electronics applications (computer, personal equipment, office equipment, measuring equipment, industrial robotics, domestic appliances, etc.). These TOSHIBA products are neither intended nor warranted for usage in equipment that requires extraordinarily high quality and/or reliability or a malfunction or failure of which may cause loss of human life or bodily injury ("Unintended Usage"). Unintended Usage include atomic energy control instruments, airplane or spaceship instruments, transportation instruments, traffic signal instruments, combustion control instruments, medical instruments, all types of safety devices, etc.. Unintended Usage of TOSHIBA products listed in this document shall be made at the customer's own risk.
- The products described in this document shall not be used or embedded to any downstream products of which manufacture, use and/or sale are prohibited under any applicable laws and regulations.
- The information contained herein is presented only as a guide for the applications of our products. No responsibility is assumed by TOSHIBA for any infringements of patents or other rights of the third parties which may result from its use. No license is granted by implication or otherwise under any patents or other rights of TOSHIBA or the third parties.
- Please contact your sales representative for product-by-product details in this document regarding RoHS compatibility. Please use these products in this document in compliance with all applicable laws and regulations that regulate the inclusion or use of controlled substances. Toshiba assumes no liability for damage or losses occurring as a result of noncompliance with applicable laws and regulations.