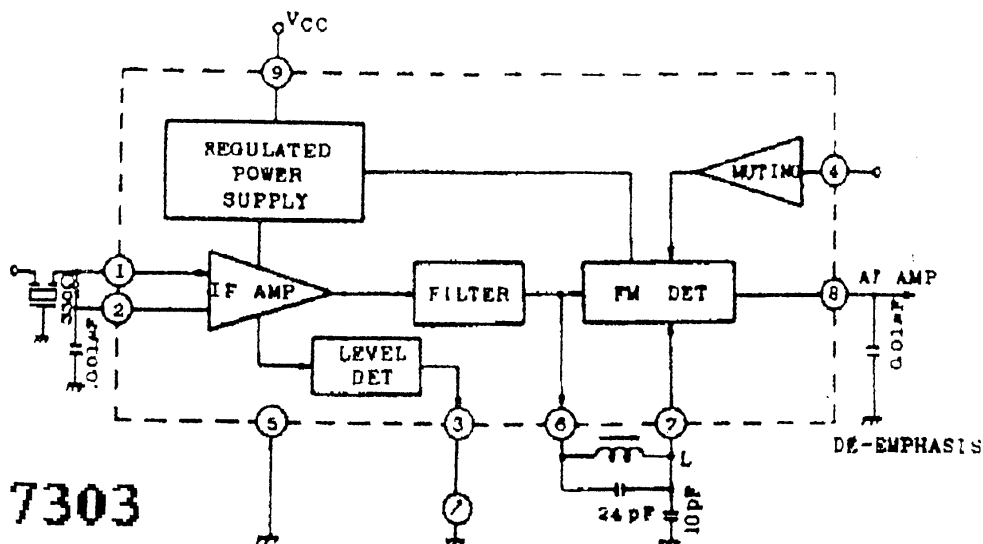


TA7303P

FM IF Amplifier and Discriminator



Pin	Name	Description
1		IF Input
2		NF
3		S-Meter
4		Muting
5	GND	Ground
6		Discriminator Coil
7		Discriminator Coil
8		Audio Output
9	Vcc	Positive Supply Voltage



TA7303P

alltronics.com • Voice 1-408-943-9773 • Fax 1-408-943-9776 • <http://www.alltronics.com>