

9097247 TOSHIBA. ELECTRONIC

02E 17137 D

TA7335P
TA7335F

T-77-05-05

FM FRONT END IC

The TA7335P is a front end IC suitable for Portable Radio and Radio Cassette applications. This IC contains RF amplifier, MIX, local oscillator and varicap for AFC. This IC simplify the design of front end circuit.

- . Operating Supply Voltage
 - : $V_{CC}=2 \sim 5V$TA7335F
 - $V_{CC}=2 \sim 6V$TA7335P, TA7335P-LB
- . Local OSC Stop Voltage: $V_{CC}=1.5V$ (Typ.)
- . Varicap for AFC
- . Japan/U Band Avilable
- . The Item is Different Each Outlines
 - : TA7335P : Single in Line Package....Outline 1
 - TA7335P-LB: Lead Forming.....Outline 2
 - TA7335F : Flat Package.....Outline 3

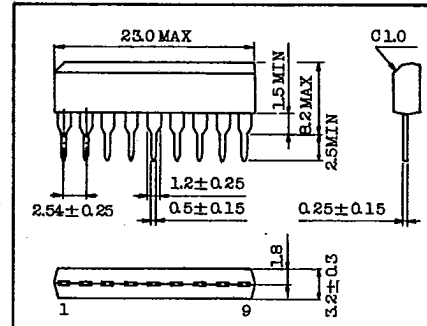
MAXIMUM RATINGS ($T_a=25^{\circ}C$)

CHARACTERISTIC		SYMBOL	RATING	UNIT
Supply Voltage	TA7335P TA7335P-LB	V_{CC}	8	V
	TA7335F		6	
	TA7335P TA7335P-LB		500	
Power Dissipation (Note)	TA7335F	P_D	300	mW
	TA7335P TA7335P-LB		500	
Operating Temperature		T_{opr}	-25 ~ 75	$^{\circ}C$
Storage Temperature		T_{stg}	-55 ~ 150	$^{\circ}C$

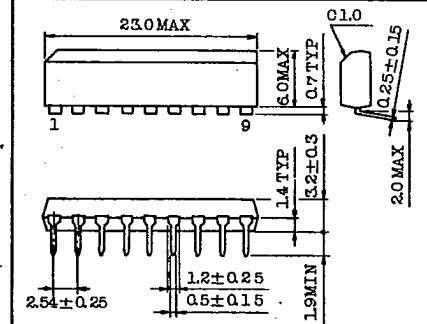
Note : TA7335P, TA7335P-LB : Derated above $T_a=25^{\circ}C$ in the proportion of 5.6mW/ $^{\circ}C$.

TA7335F : Derated above $T_a=25^{\circ}C$ in the proportion of 2.8mW/ $^{\circ}C$.

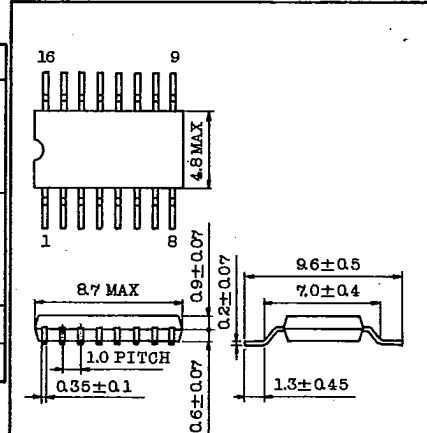
Unit in mm



JEDEC
TOSHIBA S9A-P OUTLINE(1)



JEDEC
TOSHIBA S9B-P OUTLINE(2)



JEDEC
TOSHIBA F16GA1-P OUTLINE(3)

TOSHIBA

9097247 TOSHIBA, ELECTRONIC

02E 17138 D

TA7335P
TA7335F

T-77-05-05

ELECTRICAL CHARACTERISTICS

(Unless otherwise specified $V_{CC}=4V$, $T_a=25^{\circ}C$)

CHARACTERISTIC	SYMBOL	TEST CIR-CUIT	TEST CONDITION	MIN.	TYP.	MAX.	UNIT	
Supply Current	ICC	1	$V_{IN}=0$	-	2.5	4	mA	
Local OSC Voltage	VOSC	1	$SW_1=A$, $f_{osc}=60MHz$	40	75	200	mV _{rms}	
Conversion Gain	GC	2	$f=83MHz$	-	20	-	dB	
Recovered Output Voltage	VOD	2	$f=83MHz$, $\Delta F=\pm 22.5kHz$ dev. $V_{IN}=12dB\mu V$	40	60	-	mV _{rms}	
Capacitance of AFC Diode	CAFC	3	$V_{AFC}=1V$	-	3.8	-	pF	
Q of AFC Diode	Q	3	$V_{AFC}=1V$	-	100	-	-	
Capacitance VAFC Dependence	K	3	$K = \frac{C(V_{AFC}=1V) - C(V_{AFC}=3V)}{C(V_{AFC}=3V)}$	-	0.23	-	-	
3 Pin Impedance	Parallel Output Resistance	r_{op3}	$f=83MHz$	-	24	-	k Ω	
	Parallel Output Capacitance	c_{op3}		-	3	-	pF	
4 Pin Impedance	Parallel Input Resistance	r_{ip4}		-	20	-	k Ω	
	Parallel Input Capacitance	c_{ip4}		-	3.2	-	pF	
6 Pin Impedance	Parallel Output Resistance	r_{op6}		$f=10.7MHz$	-	44	-	k Ω
	Parallel Output Capacitance	c_{op6}			-	3.7	-	pF
Local OSC Stop Voltage	V_{stp}	1	$SW_1=A$, $f_{osc}=60MHz$	-	1.5	-	V	

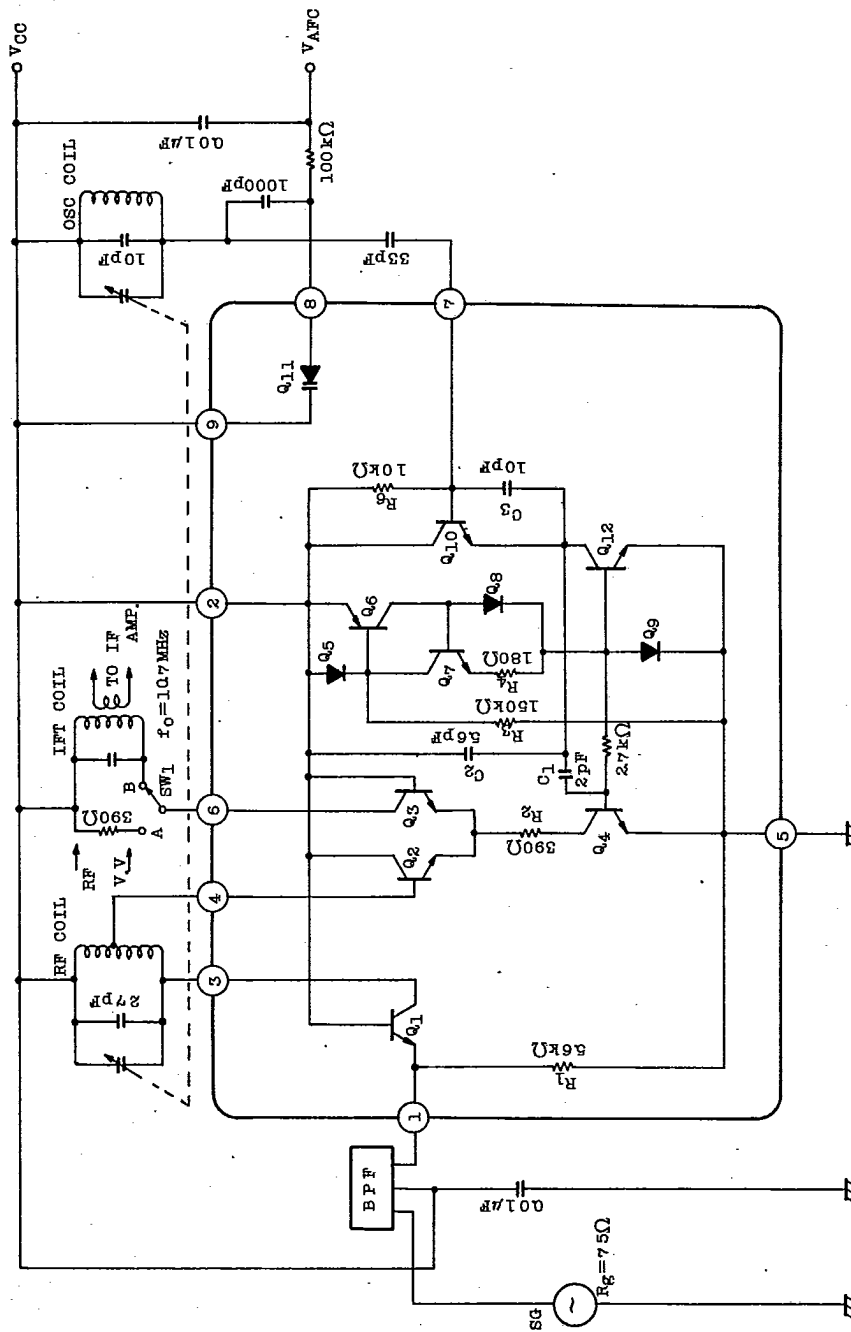
AUDIO LINEAR IC

TA7335P TA7335F

T-77-05-05

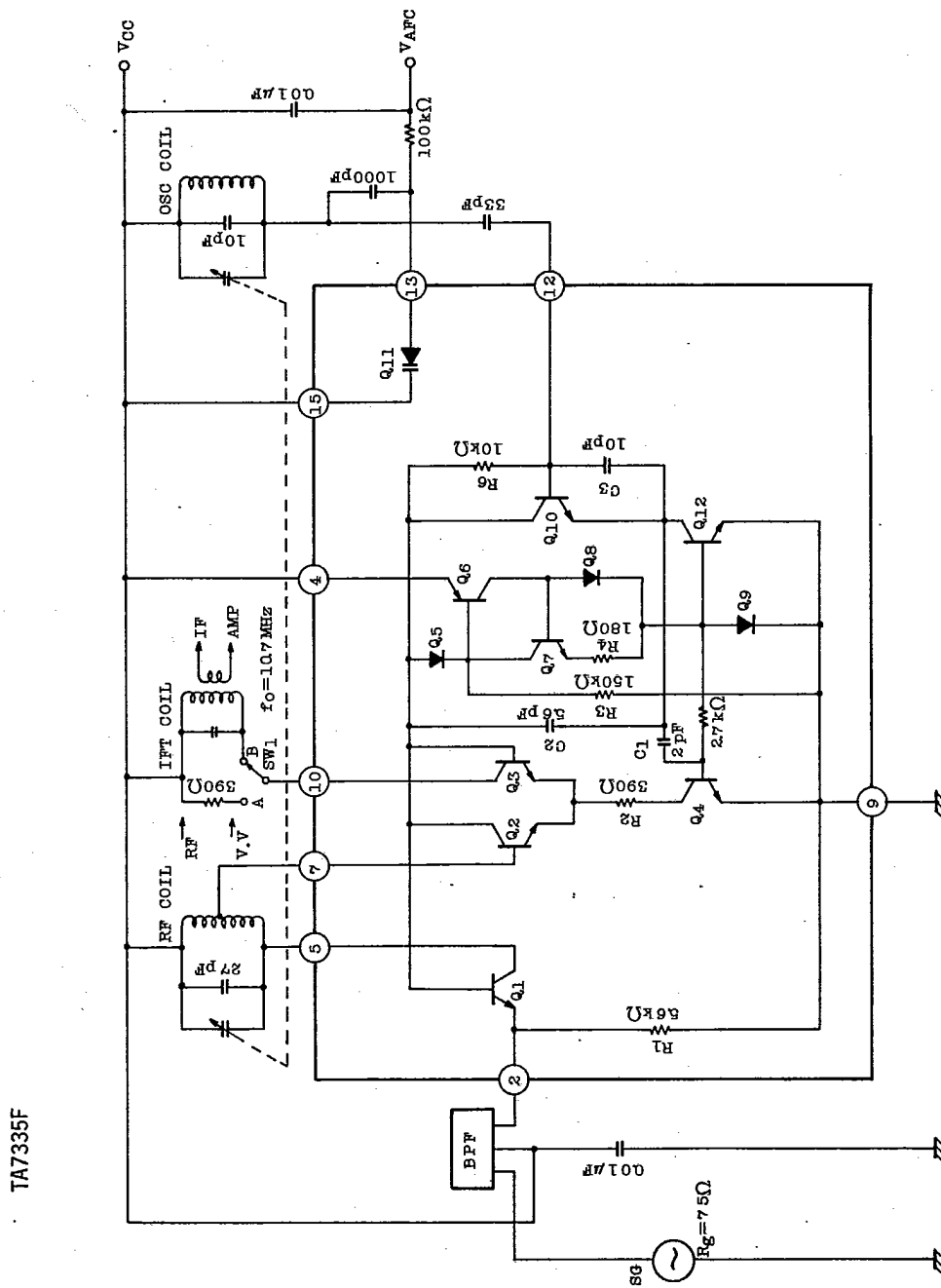
EQUIVALENT CIRCUIT AND TEST CIRCUIT (1)

TA7335P, TA7335P-LB



TA7335P
TA7335F

T-77-05-05

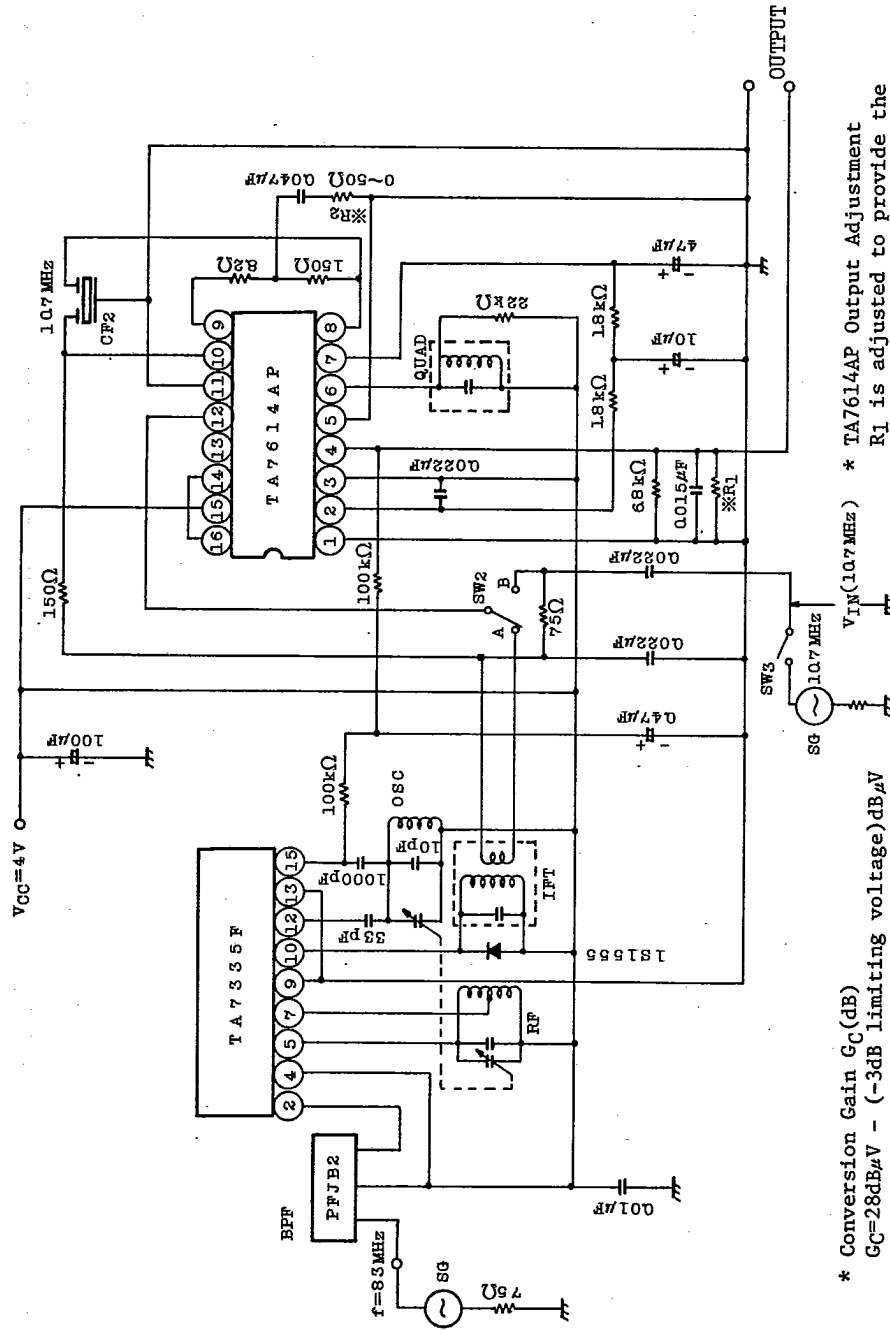


AUDIO LINEAR IC

TA7335P TA7335F

T-77-05-05

TA7335F



- * Conversion Gain G_C (dB)
 $G_C = 28 \text{ dB/V} - (-3 \text{ dB limiting voltage}) \text{ dB}/\mu\text{V}$
- * TA7614AP Gain Adjustment
 R_2 is adjusted to provide the following gain.
-3dB Limiting Voltage = $28 \text{ dB}/\mu\text{V}$
at $\text{SW}_2 = \text{B}$, $\text{SW}_3 = \text{ON}$
- * TA7614AP Output Adjustment
 R_1 is adjusted to provide the following recovered output voltage
VOD.
 $\text{VOD} = 60 \text{ mV}_{\text{rms}}$
at $f = 10.7 \text{ MHz}$, $\Delta f = 22.5 \text{ kHz dev.}$
 $\text{VIN} = 80 \text{ dB}/\mu\text{V}$

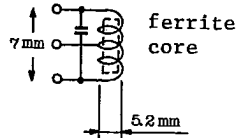
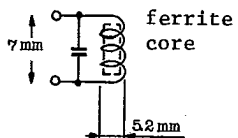
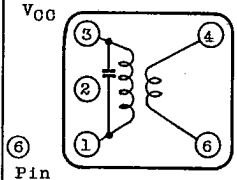
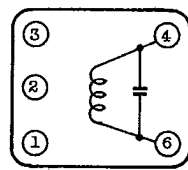
9097247 TOSHIBA. ELECTRONIC

02E 17143 D

TA7335P
TA7335F

T-77-05-05

COIL DATA (TEST CIRCUIT 1,2, APPLICATION CIRCUIT)

	f_0	Q_0	TURNS	CAPACITANCE	
RF Coil	83MHz	-	0.7mm ϕ 2 $\frac{1}{2}$ T Center Tap (JAPAN Band)	27pF	
OSC Coil	72.5MHz	-	0.7mm ϕ 3 $\frac{1}{2}$ T (JAPAN Band)	10pF	
IFT	10.7MHz	115	① - ③ 12T ④ - ⑥ 1T WIRE 0.12mm ϕ UEW SUMIDA ELECTRIC Co., LTD. S193-001 or (5764) or Equivalent	75pF	 (BOTTOM VIEW)
Quad Coil	10.7MHz	150	④ - ⑥ 14T WIRE 0.12mm ϕ UEW SUMIDA ELECTRIC Co., LTD. 44M-933A or Equivalent	47pF	 (BOTTOM VIEW)

Band Pass Filter (B.P.F.)

SOSHIN ELECTRIC Co., LTD. PFJB2 or Equivalent

TOSHIBA

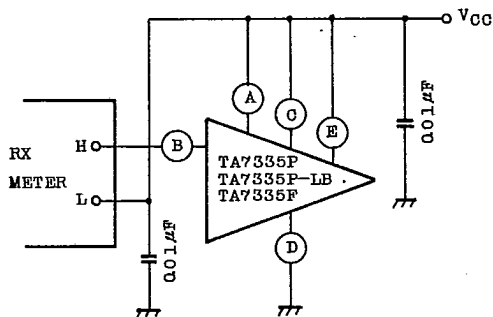
TA7335P TA7335F

T-77-05-05

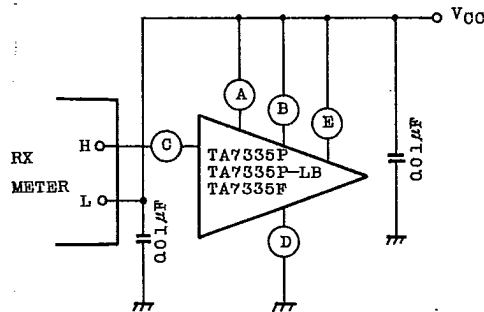
TEST CIRCUIT 3

INPUT, OUTPUT IMPEDANCE, K

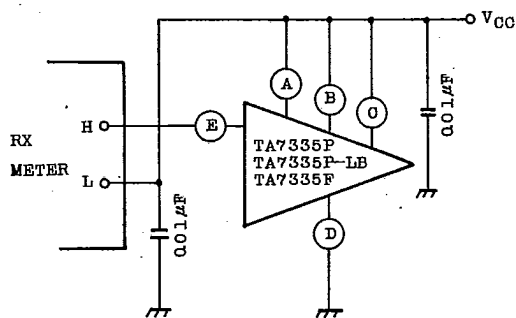
(1) r_{op3} , c_{op3}



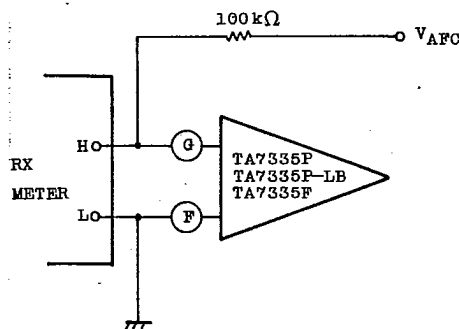
(2) r_{ip4} , c_{ip4}



(3) r_{op6} , c_{op6}



(4) C_{AFC} , K



K (Capacitance V_{AFC} dependance)
is defined by following equation

$$K = \frac{C(V_{AFC}=1V) - C(V_{AFC}=3V)}{C(V_{AFC}=3V)}$$

CONTRASTIVE A TABLE

ITEM	PIN No.	A	B	C	D	E	F	G
TA7335P/P-LB		2	3	4	5	6	8	9
TA7335F		4	5	7	9	10	13	15

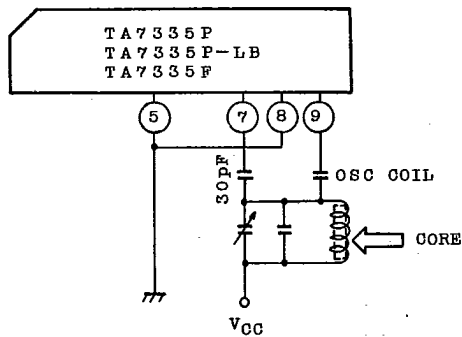
AUDIO LINEAR IC

TA7335P
TA7335F

T-77-05-05

APPLICATION PRECAUTION

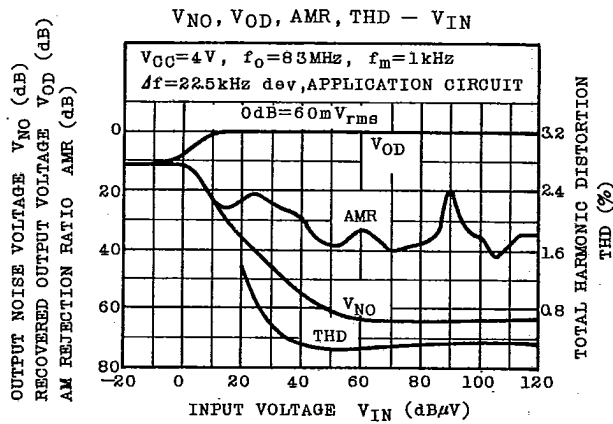
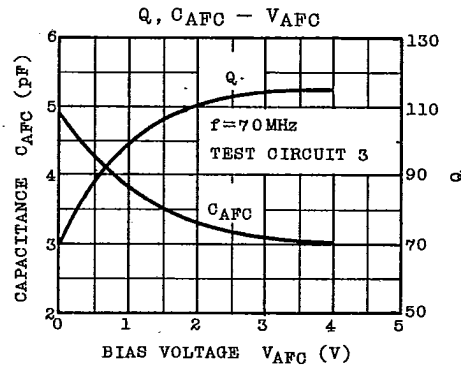
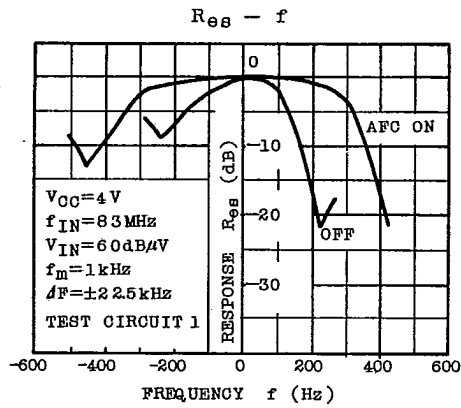
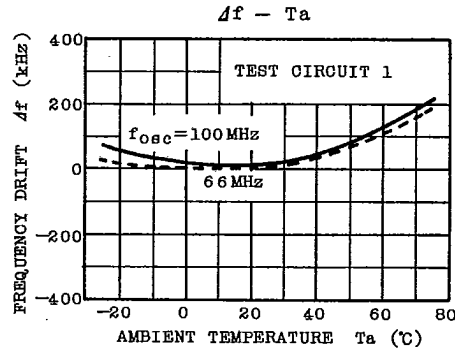
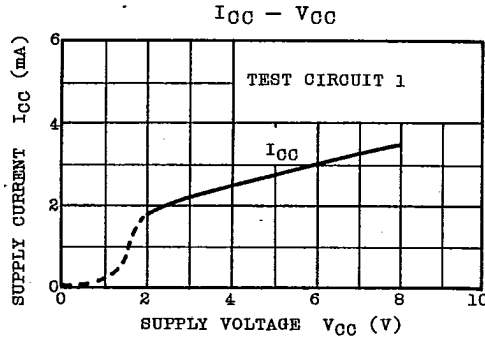
- (1) A core of local oscillation coil must be ferrite. If you use aluminium or brass core in stead of ferrite core, Q_0 becomes so small that there is a case of oscillation stop at low frequency.



- (2) A capacitance between oscillation coil and ⑦ pin of IC is recommended to be more than 30pF. When this capacitance is so small, oscillation level at low frequency is small.

TA7335P
TA7335F

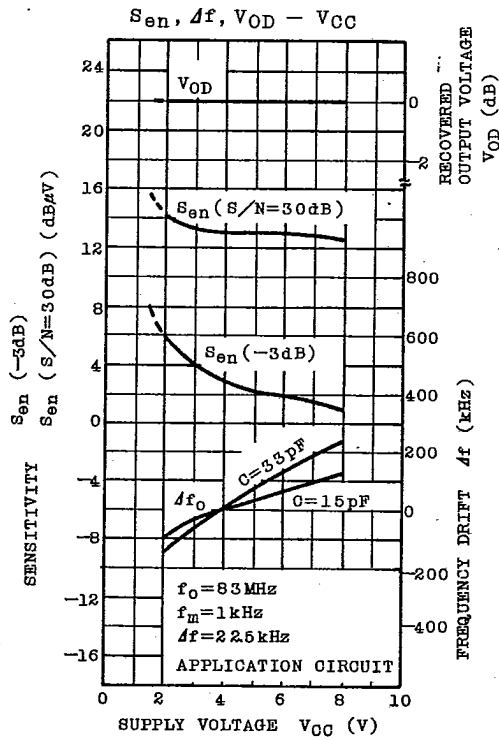
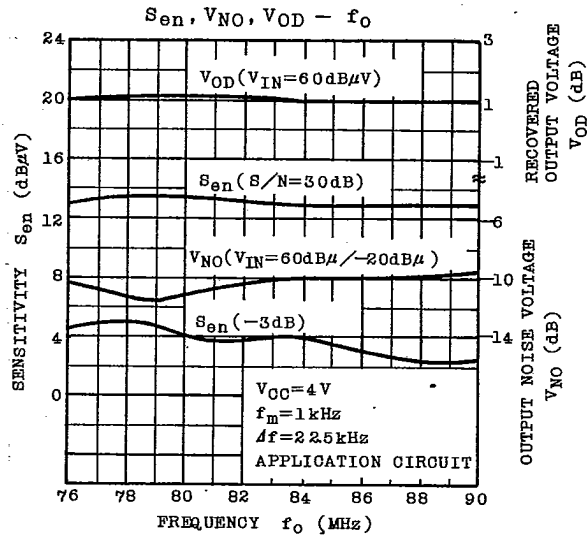
T-77-05-05



AUDIO LINEAR IC

TA7335P
TA7335F

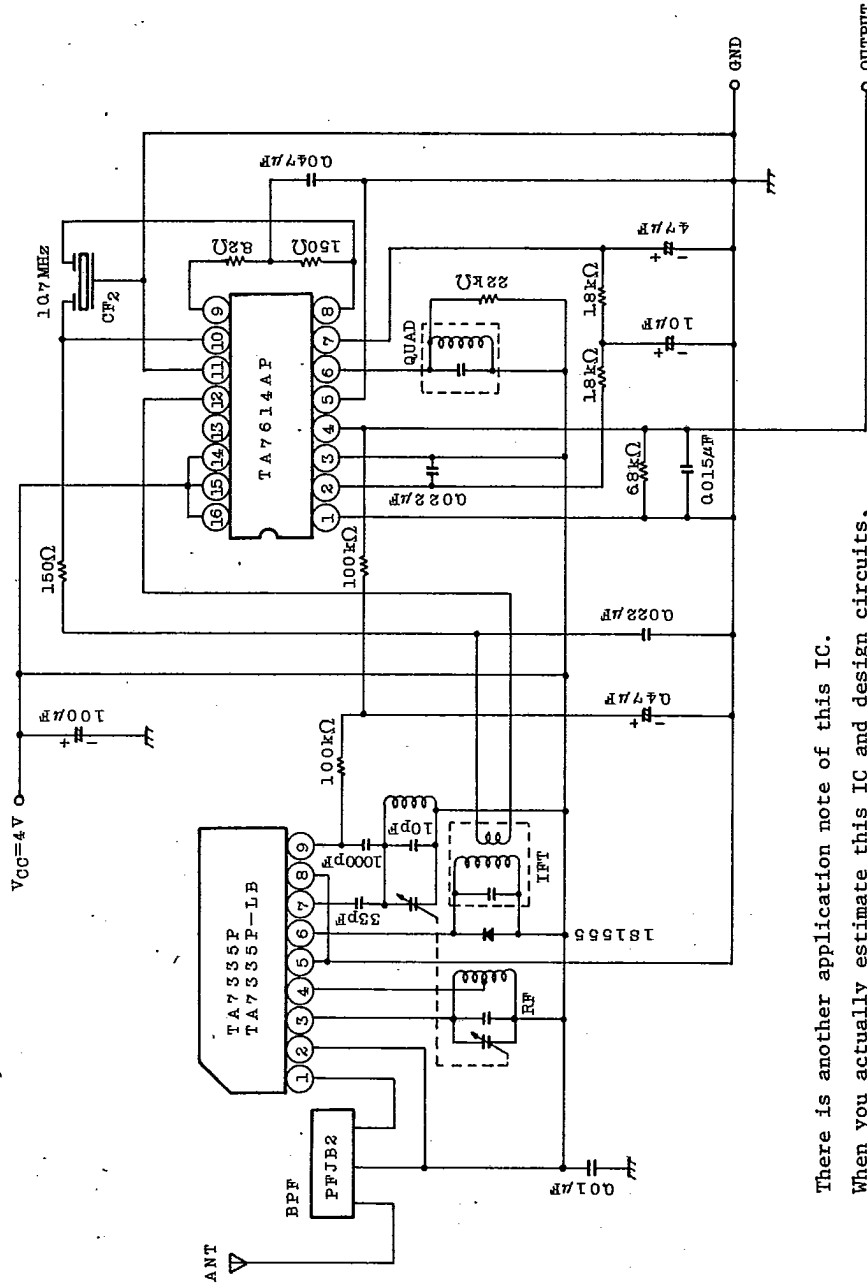
T-77-05-05



TA7335P TA7335F

T-77-05-05

APPLICATION CIRCUIT TA7335P, TA7335F-LB



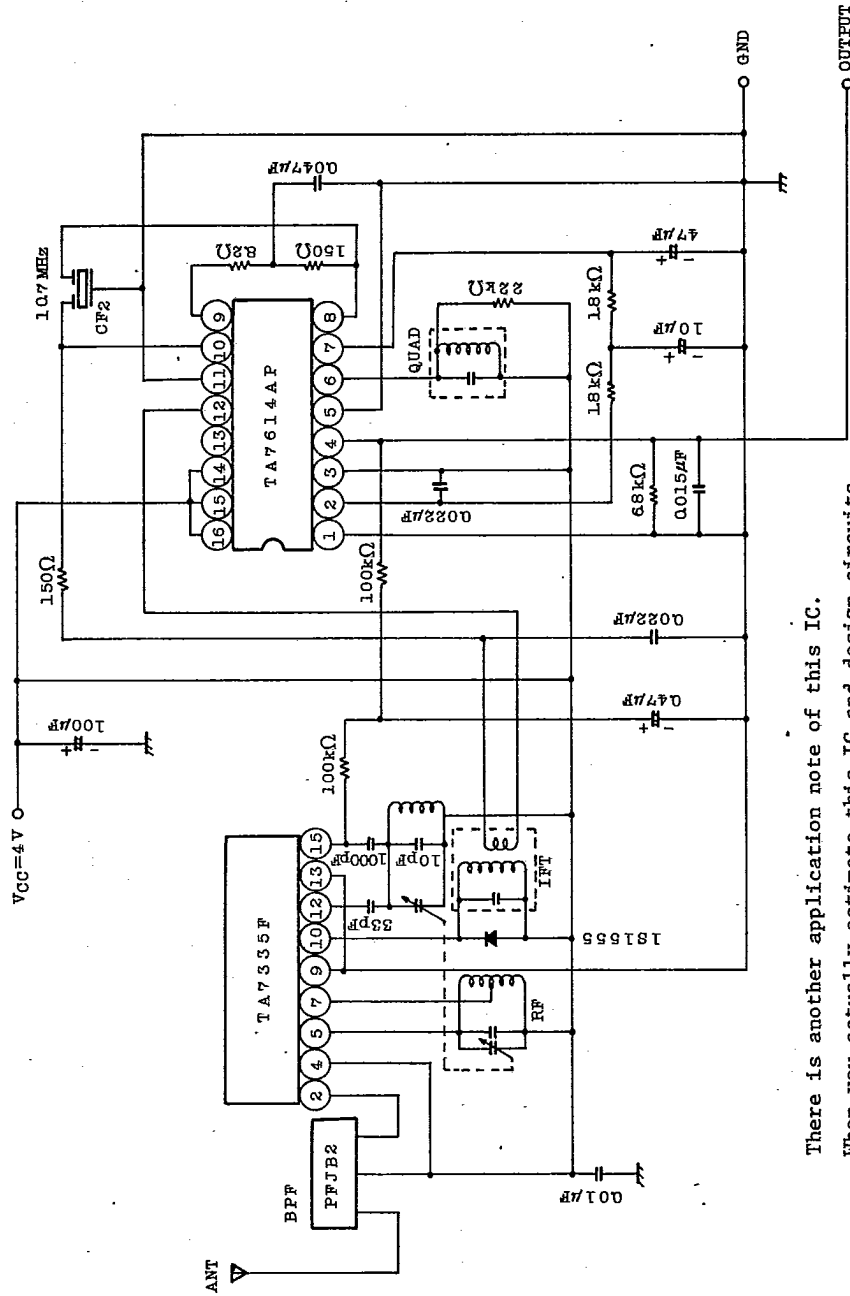
There is another application note of this IC.
When you actually estimate this IC and design circuits,
please request us it.

AUDIO LINEAR IC

TA7335P
TA7335F

T-77-05-05

APPLICATION CIRCUIT
TA7335F



There is another application note of this IC.
When you actually estimate this IC and design circuits,
please request us it.