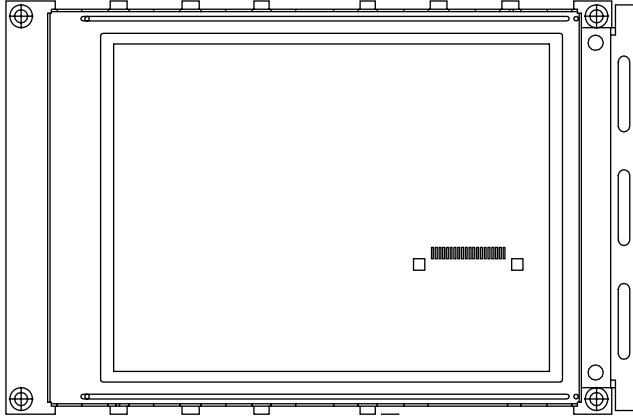


320 x 240 Graphic LCD



FEATURES

- Type: Graphic
- Display format: 320 x 240 dots
- Built-in controller: RA8835 and SRAM
- Duty cycle: 1/240
- Built-in N.V.
- Touch screen option (analog type)
- Temperature compensation option
- Compliant to RoHS directive 2002/95/EC


RoHS
COMPLIANT

MECHANICAL DATA

ITEM	STANDARD VALUE	UNIT
Module Dimension	166.8 x 109.0	mm
Viewing Area	122.0 x 92.0	
Dot Size	0.34 x 0.34	
Dot Pitch	0.36 x 0.36	
Mounting Hole	152.0 x 101.0	
Character Size	N/a	

ABSOLUTE MAXIMUM RATINGS

ITEM	SYMBOL	STANDARD VALUE			UNIT
		MIN.	TYP.	MAX.	
Power Supply	V_{DD} to V_{SS}	4.75	5.0	5.25	V
Input Voltage	V_I	- 0.3	-	V_{DD}	

Note

- $V_{SS} = 0$ V, $V_{DD} = 5.0$ V

ELECTRICAL CHARACTERISTICS

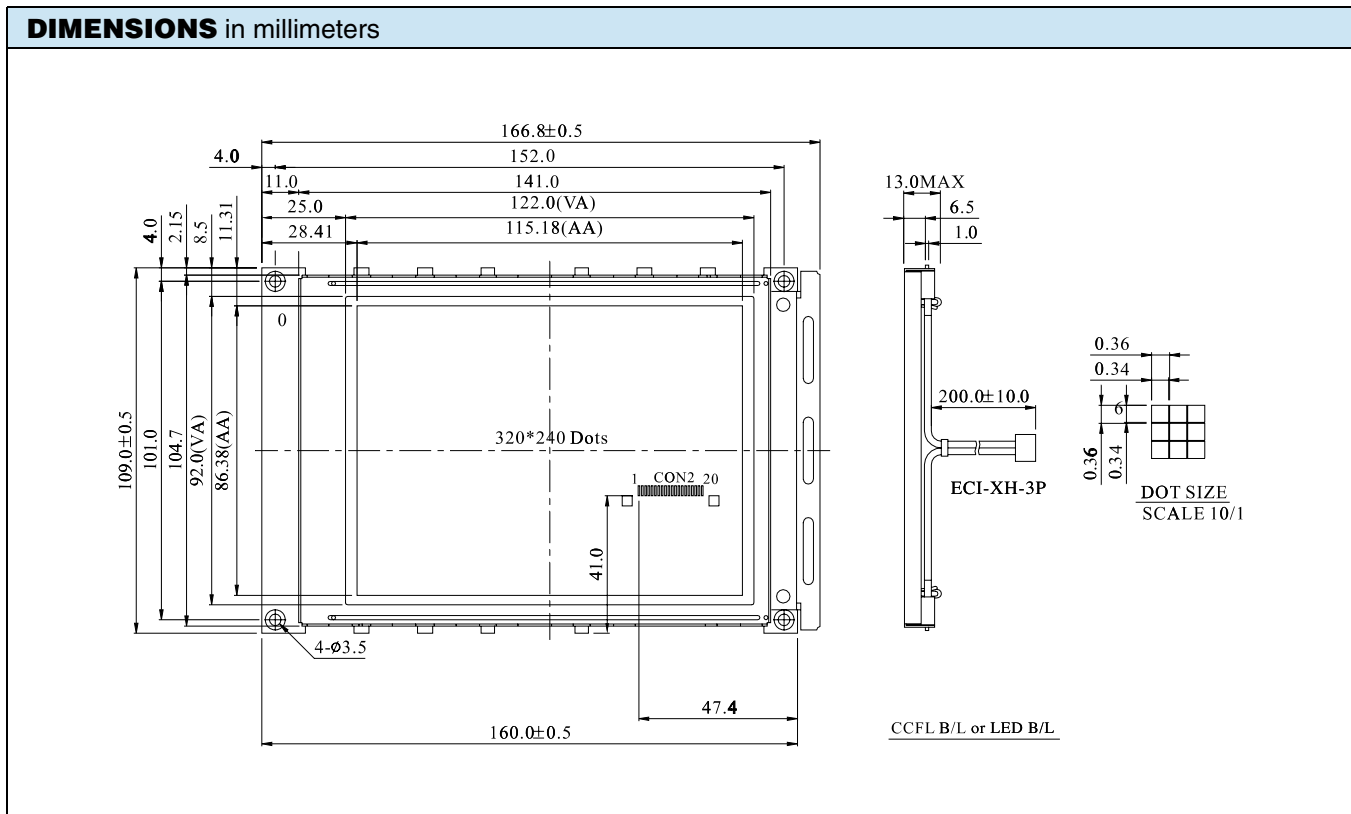
ITEM	SYMBOL	CONDITION	STANDARD VALUE			UNIT
			MIN.	TYP.	MAX.	
Input Voltage	V_{DD}	L level	$0.7 V_{DD}$	-	V_{DD}	V
	V_{IO}	H level	0	-	$0.3 V_{DD}$	V
Supply Current	I_{DD}	$V_{DD} = + 5.0$ V	-	100	105	mA
Recommended LC Driving Voltage for Normal Temperature Version Module	V_0 to V_{SS}	- 20 °C	-	-	26.1	V
		25 °C	-	23.8	-	
		70 °C	20.9	-	-	
CCFL Starting Voltage	V_{FLS}	25 °C	-	600	-	V_{RMS}
CCFL Driving Voltage	V_{FLD}	25 °C	-	268	-	V_{RMS}
CCFL Driving Current	I_{FLD}	$V_{FQ} = 450 V_{RMS}, 30$ kHz	-	5.0	-	mA_{RMS}

OPTIONS

PROCESS COLOR						BACKLIGHT			
TN	STN Gray	STN Yellow	STN Blue	FSTN B&W	STN Color	None	LED	EL	CCFL
	x	x	x	x		x	x	x	x

For detailed information, please see the "Product Numbering System" document.

INTERFACE PIN FUNCTION			
PIN NO.	SYMBOL	PIN NO.	FUNCTION
1	V _{SS}		Ground
2	V _{DD}		Power supply for logic
3	V ₀		Driving voltage for LCD
4	A ₀		Data type select
5	\overline{WR}		8080 family: Write signal/6800 family: R/W signal
6	\overline{RD}		8080 family: Read signal/6800 family: Enable clock
7	DB0		Date bus line
8	DB1		Date bus line
9	DB2		Date bus line
10	DB3		Date bus line
11	DB4		Date bus line
12	DB5		Date bus line
13	DB6		Date bus line
14	DB7		Date bus line
15	\overline{CS}		Chip select, active L
16	\overline{RES}		Controller reset signal, active L
17	V _{EE}		Negative voltage output
18	SEL		8088, 6800 interface selection (1:68, 0:80)
19	F _{GND}		Frame ground
20	WAIT		Check busy





Disclaimer

All product specifications and data are subject to change without notice.

Vishay Intertechnology, Inc., its affiliates, agents, and employees, and all persons acting on its or their behalf (collectively, "Vishay"), disclaim any and all liability for any errors, inaccuracies or incompleteness contained herein or in any other disclosure relating to any product.

Vishay disclaims any and all liability arising out of the use or application of any product described herein or of any information provided herein to the maximum extent permitted by law. The product specifications do not expand or otherwise modify Vishay's terms and conditions of purchase, including but not limited to the warranty expressed therein, which apply to these products.

No license, express or implied, by estoppel or otherwise, to any intellectual property rights is granted by this document or by any conduct of Vishay.

The products shown herein are not designed for use in medical, life-saving, or life-sustaining applications unless otherwise expressly indicated. Customers using or selling Vishay products not expressly indicated for use in such applications do so entirely at their own risk and agree to fully indemnify Vishay for any damages arising or resulting from such use or sale. Please contact authorized Vishay personnel to obtain written terms and conditions regarding products designed for such applications.

Product names and markings noted herein may be trademarks of their respective owners.