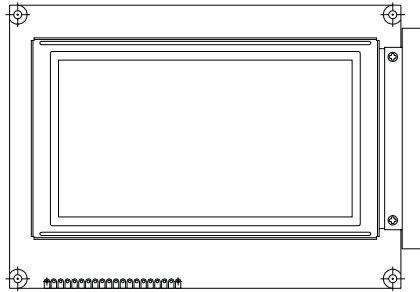


240 x 128 Dots Graphic LCD



FEATURES

- Built-in controller (LC7981 or equivalent)
- + 5V power supply
- 1/64 duty cycle
- Built-in N.V

MECHANICAL DATA		
ITEM	STANDARD VALUE	UNIT
Module Dimension	144.0 x 104.0	mm
Viewing Area	114.0 x 64.0	mm
Dot Size	0.4 x 0.4	mm
Dot Pitch	0.45 x 0.45	mm

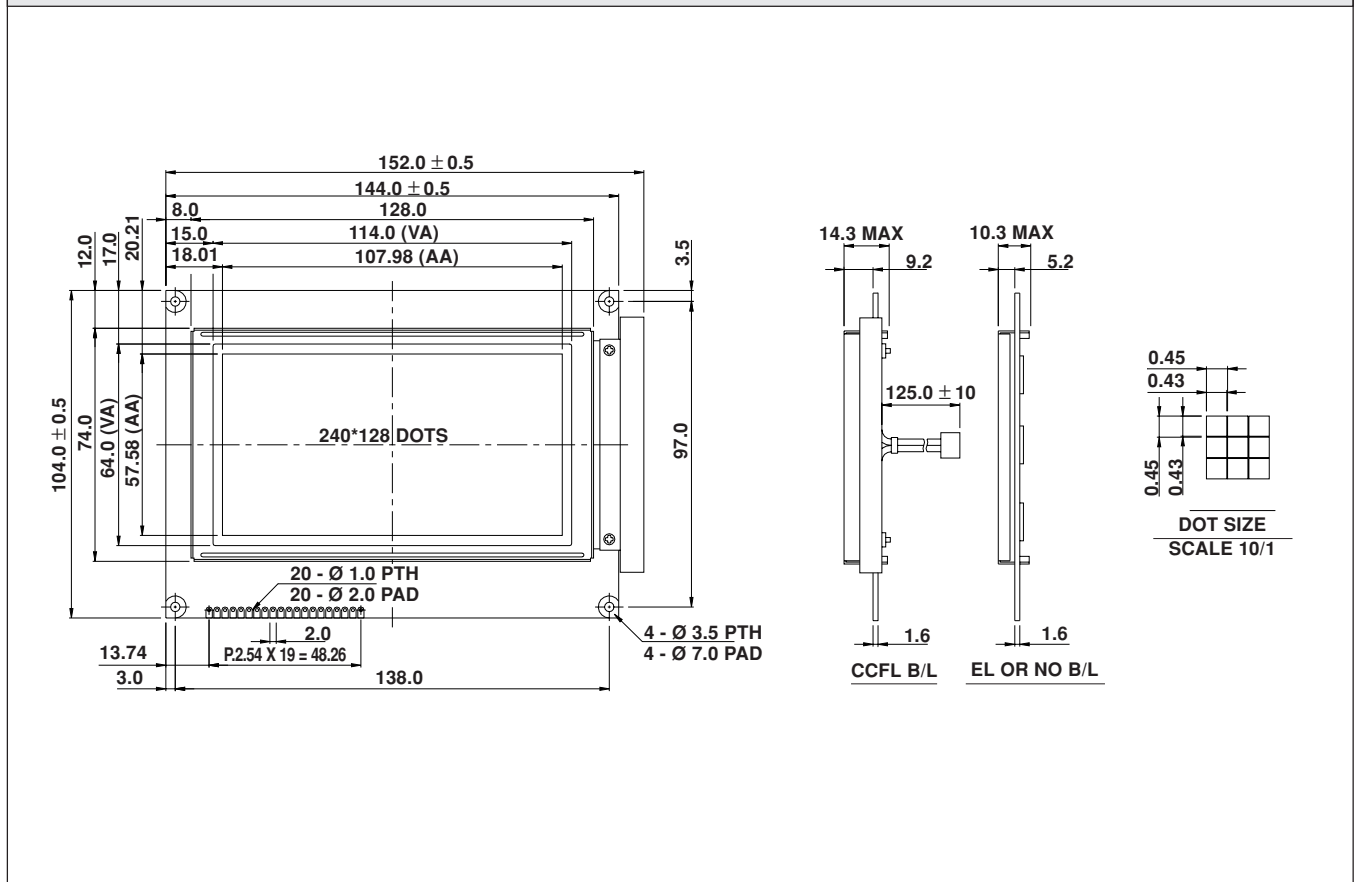
ABSOLUTE MAXIMUM RATING					
ITEM	SYMBOL	STANDARD VALUE			UNIT
		MIN.	TYP.	MAX.	
Power Supply	VDD-VSS	4.75	5.0	5.25	V
Input Voltage	VI	- 0.3	-	VDD	V

NOTE: VSS = 0 Volt, VDD = 5.0 Volt

ELECTRICAL SPECIFICATIONS						
ITEM	SYMBOL	CONDITION	STANDARD VALUE			UNIT
			MIN.	TYP.	MAX.	
Input Voltage	VDD	L level	$0.7V_{DD}$	-	V_{DD}	V
	VIO	H level	-	-	$0.3V_{DD}$	V
Supply Current	IDD	VDD = + 5V	0	55	60	mA
Recommended LC Driving Voltage for Normal Temp.	VDD - V0	0°C	20.3	21.4	22.5	V
Version Module		25°C	18.0	19.1	20.2	
		50°C	17.8	18.9	20.0	
LED Forward Voltage	VF	25°C	-	4.2	-	V
LED Forward Current	IF	25°C	-	900	1800	mA
CCFL	VF	25°C	-	250	590	Vms
	IF	25°C	-	-	5.5	mA
EL	IEL	Vel = 110VAC; 400Hz	-	-	5.0	mA

PIN NUMBER	SYMBOL	FUNCTION
1	Vss	Power Supply (GND)
2	Vdd	Power Supply (+ 5V)
3	Vo	Contrast Adjustment
4	RS	Data/Instruction Select
5	$\overline{R/W}$	Data Read Write
6	E	Enable Signal
7	DB0	Data Bus Line
8	DB1	Data Bus Line
9	DB2	Data Bus Line
10	DB3	Data Bus Line
11	DB4	Data Bus Line
12	DB5	Data Bus Line
13	DB6	Data Bus Line
14	DB7	Data Bus Line
15	\overline{CS}	Chip Select
16	Res	Rest Signal
17	Vee	Negative Voltage Output
18	NC	No Connection
19	A	Power Supply for B/L
20	K	Power Supply for B/L

DIMENSIONS in millimeters





Notice

Specifications of the products displayed herein are subject to change without notice. Vishay Intertechnology, Inc., or anyone on its behalf, assumes no responsibility or liability for any errors or inaccuracies.

Information contained herein is intended to provide a product description only. No license, express or implied, by estoppel or otherwise, to any intellectual property rights is granted by this document. Except as provided in Vishay's terms and conditions of sale for such products, Vishay assumes no liability whatsoever, and disclaims any express or implied warranty, relating to sale and/or use of Vishay products including liability or warranties relating to fitness for a particular purpose, merchantability, or infringement of any patent, copyright, or other intellectual property right.

The products shown herein are not designed for use in medical, life-saving, or life-sustaining applications. Customers using or selling these products for use in such applications do so at their own risk and agree to fully indemnify Vishay for any damages resulting from such improper use or sale.