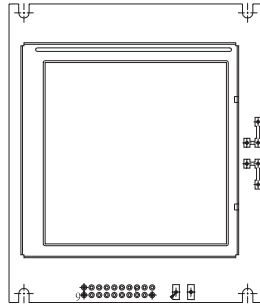


160 x 160 Dots Graphic LCD



FEATURES

- Built-in controller (LC7981)
- 1/160 duty cycle
- N.V. optional
- + 5V power supply

MECHANICAL DATA		
ITEM	STANDARD VALUE	UNIT
Module Dimension	85.0 x 100.0	mm
Viewing Area	62.0 x 62.0	mm
Dot Size	0.34 x 0.34	mm
Dot Pitch	0.38 x 0.38	mm

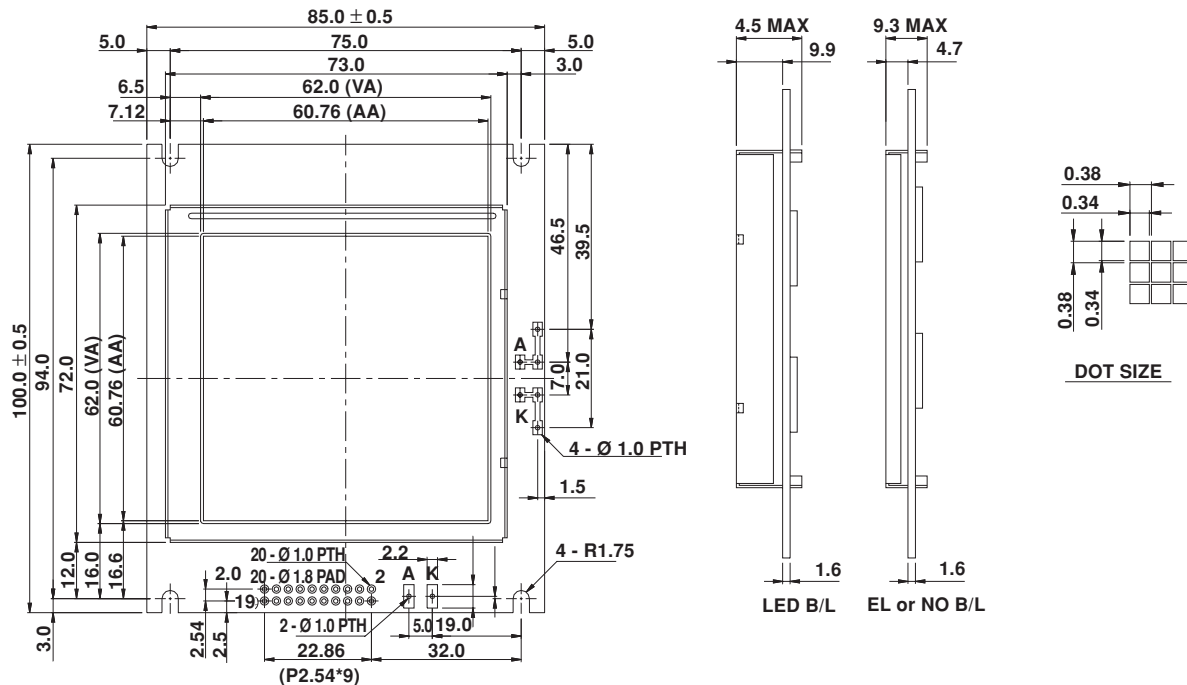
ABSOLUTE MAXIMUM RATING					
ITEM	SYMBOL	STANDARD VALUE			UNIT
		MIN.	TYP.	MAX.	
Power Supply	VDD-VSS	4.75	5.0	5.25	V
Input Voltage	VI	- 0.3	-	VDD	V

NOTE: VSS = 0 Volt, VDD = 5.0 Volt

ELECTRICAL SPECIFICATIONS						
ITEM	SYMBOL	CONDITION	STANDARD VALUE			UNIT
			MIN.	TYP.	MAX.	
Input Voltage	VDD	L level	$0.7V_{DD}$	-	V_{DD}	V
	VIO	H level	-	-	$0.3V_{DD}$	V
Supply Current	IDD	VDD = 5V	-	7.3	8.4	mA
Recommended LC Driving Voltage for Normal Temp. Version Module	VDD - V0	- 20°C	16.5	18.0	19.5	V
		25°C	15.5	17.0	18.5	
		60°C	14.5	16.0	17.5	
LED Forward Voltage	VF	25°C	-	4.2	4.6	V
LED Forward Current	IF	25°C	-	500	1000	mA
EL	IEL	Vel = 110VAC; 400Hz	-	-	5.0	mA

PIN NUMBER	SYMBOL	FUNCTION
1	FGND	Frame Ground
2	Vss	Power Supply (GND)
3	Vdd	Power Supply (+ 5V)
4	Vo	Contrast Adjustment
5	R/W	Data Read/Write
6	E	Enable Signal
7	CS	Chip Select
8	RS	Data Instruction Select
9	NC	No Connection
10	RST	Reset Signal
11	DB0	H/L Data Bus Line
12	DB1	H/L Data Bus Line
13	DB2	H/L Data Bus Line
14	DB3	H/L Data Bus Line
15	DB4	H/L Data Bus Line
16	DB5	H/L Data Bus Line
17	DB6	H/L Data Bus Line
18	DB7	H/L Data Bus Line
19	NC	No Connection
20	NC/Vee	NC/Negative Voltage Output

DIMENSIONS in millimeters





Notice

Specifications of the products displayed herein are subject to change without notice. Vishay Intertechnology, Inc., or anyone on its behalf, assumes no responsibility or liability for any errors or inaccuracies.

Information contained herein is intended to provide a product description only. No license, express or implied, by estoppel or otherwise, to any intellectual property rights is granted by this document. Except as provided in Vishay's terms and conditions of sale for such products, Vishay assumes no liability whatsoever, and disclaims any express or implied warranty, relating to sale and/or use of Vishay products including liability or warranties relating to fitness for a particular purpose, merchantability, or infringement of any patent, copyright, or other intellectual property right.

The products shown herein are not designed for use in medical, life-saving, or life-sustaining applications. Customers using or selling these products for use in such applications do so at their own risk and agree to fully indemnify Vishay for any damages resulting from such improper use or sale.