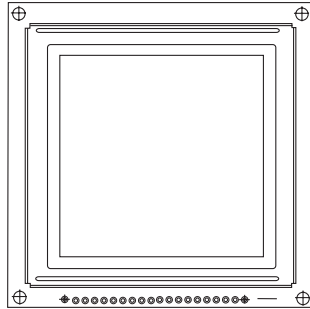


128 x 128 Dots Graphic LCD



FEATURES

- Built-in controller
- 1/128 duty cycle
- + 5V power supply

MECHANICAL DATA		
ITEM	STANDARD VALUE	UNIT
Module Dimension	72.5 x 69.9	mm
Viewing Area	50.0 x 49.0	mm
Dot Size	0.32 x 0.32	mm
Dot Pitch	0.35 x 0.35	mm

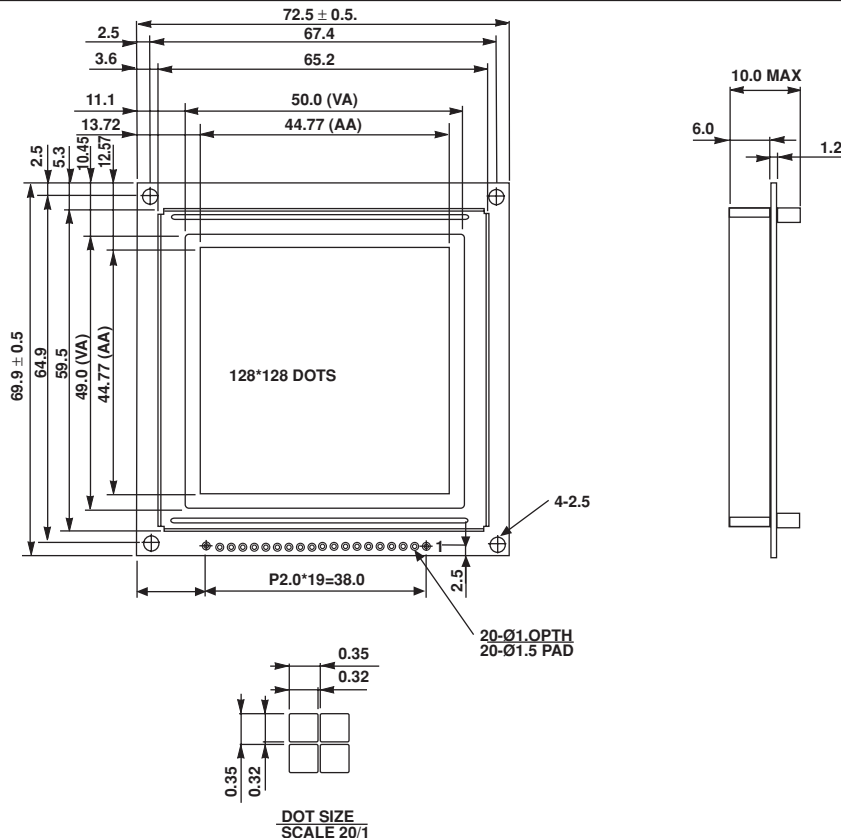
ABSOLUTE MAXIMUM RATING					
ITEM	SYMBOL	STANDARD VALUE			UNIT
		MIN.	TYP.	MAX.	
Power Supply	VDD-VSS	4.75	5.0	5.25	V
Input Voltage	VI	- 0.3	-	VDD	V

NOTE: VSS = 0 Volt, VDD = 5.0 Volt

ELECTRICAL SPECIFICATIONS						
ITEM	SYMBOL	CONDITION	STANDARD VALUE			UNIT
			MIN.	TYP.	MAX.	
Input Voltage	VDD	L level	$0.7V_{DD}$	-	V_{DD}	V
	VIO	H level	-	-	$0.3V_{DD}$	V
Supply Current	IDD	VDD = 5V	-	1.5	-	mA
Recommended LC Driving Voltage for Normal Temp. Version Module	VDD-V0	- 20°C	-	18.0	-	V
		25°C	-	17.0	-	
		60°C	-	16.0	-	
LED Forward Voltage	VF	25°C	-	4.2	4.6	V
LED Forward Current	IF	25°C	-	-	-	mm
EL Power Supply Current	IEL	VeI = 110VAC; 400Hz	-	-	5.0	mA

PIN NUMBER	SYMBOL	FUNCTION
1	DB0	Data Bus Line
2	DB1	Data Bus Line
3	DB2	Data Bus Line
4	DB3	Data Bus Line
5	DB4	Data Bus Line
6	DB5	Data Bus Line
7	DB6	Data Bus Line
8	DB7	Data Bus Line
9	RS	Data/Instruction Select
10	R/W	Data Read/Write
11	E	Enable Signal
12	CS	Chip Select
13	RES	Reset Signal
14	VEE	Negative Voltage Output
15	VDD	Power Supply (+ 5V)
16	VSS	Power Supply (GNO)
17	NC	No Connection
18	NC	No Connection
19	LED (+)	Power Supply for LED B/L (+ 4.2V)
20	LED (-)	Power Supply for LED B/L (0V)

DIMENSIONS in millimeters





Notice

Specifications of the products displayed herein are subject to change without notice. Vishay Intertechnology, Inc., or anyone on its behalf, assumes no responsibility or liability for any errors or inaccuracies.

Information contained herein is intended to provide a product description only. No license, express or implied, by estoppel or otherwise, to any intellectual property rights is granted by this document. Except as provided in Vishay's terms and conditions of sale for such products, Vishay assumes no liability whatsoever, and disclaims any express or implied warranty, relating to sale and/or use of Vishay products including liability or warranties relating to fitness for a particular purpose, merchantability, or infringement of any patent, copyright, or other intellectual property right.

The products shown herein are not designed for use in medical, life-saving, or life-sustaining applications. Customers using or selling these products for use in such applications do so at their own risk and agree to fully indemnify Vishay for any damages resulting from such improper use or sale.