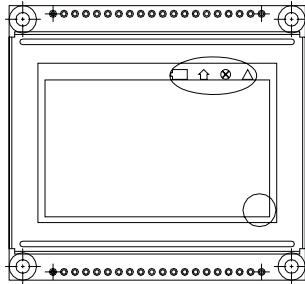


# 128 x 64 Dots Graphic LCD



## FEATURES

- 128 x 64 dots + 4 Icons
- Built-in controller (KS0108)
- + 5V power supply
- 1/64 duty cycle
- EL backlight (built-in EL inverter)
- Built-in N.V

## MECHANICAL DATA

ITEM	STANDARD VALUE	UNIT
Module Dimension	54.0 x 50.0 x 7.5	mm
Viewing Area	43.5 x 29.0	mm
Dot Size	0.28 x 0.35	mm
Dot Pitch	0.32 x 0.39	mm

## ABSOLUTE MAXIMUM RATING

ITEM	SYMBOL	STANDARD VALUE			UNIT
		MIN.	TYP.	MAX.	
Power Supply	VDD-VSS	2.8	5	5.5	V
Input Voltage	VI	- 0.3	-	VDD	V

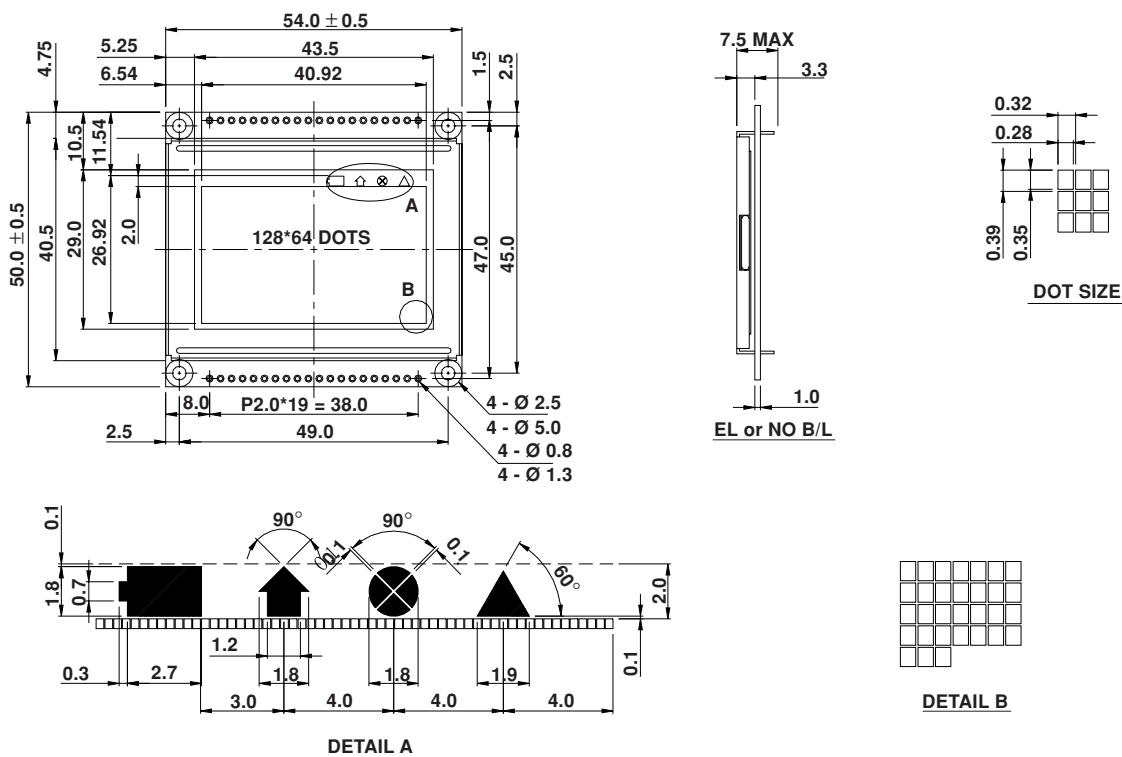
**NOTE:** VSS = 0 Volt, VDD = 5.0 Volt

## ELECTRICAL SPECIFICATIONS

ITEM	SYMBOL	CONDITION	STANDARD VALUE			UNIT
			MIN.	TYP.	MAX.	
Input Voltage	VDD	L level	$0.7V_{DD}$	-	$V_{DD}$	V
	VIO	H level	0	-	$0.3V_{DD}$	V
Supply Current	IDD	VDD = 5V	-	49.5	-	mA
Recommended LC Driving Voltage for Normal Temp.	VDD-V0	- 20°C	9.3	9.5	9.8	V
Version Module		25°C	8.3	8.5	8.8	
		60°C	7.2	7.3	7.8	
EL Power Supply Current	IEL	Vel = 110VAC; 400Hz	-	-	5.0	mA

PIN NUMBER	SYMBOL	FUNCTION
1	V <sub>ss</sub>	Power Supply (0V)
2	V <sub>dd</sub>	Power Supply
3	V <sub>o</sub>	Operating Voltage for LCD Driving
4	D/ $\bar{I}$	Register Selection Input High = Data Register Low = Instruction Register (for Write) Busy Flag Address Counter (for Read)
5	R/ $\bar{W}$	R/W Signal Input is used to Select the Read/Write Mode High = Read Mode, Low = Write Mode
6	E	Start Enable Signal to Read or Write the Data
7	DB0	Data Bus Line
8	DB1	Data Bus Line
9	DB2	Data Bus Line
10	DB3	Data Bus Line
11	DB4	Data Bus Line
12	DB5	Data Bus Line
13	DB6	Data Bus Line
14	DB7	Data Bus Line
15	CS1	Chip Enable for D2 (Segment 1 to Segment 64)
16	CS2	Chip Enable for D3 (Segment 65 to Segment 128)
17	RST	Reset Signal
18	V <sub>ee</sub>	Power Supply for LCD
19	BL +	Enable (on/off) for EL B/L
20	BL -	No Connection

## DIMENSIONS in millimeters





## Notice

Specifications of the products displayed herein are subject to change without notice. Vishay Intertechnology, Inc., or anyone on its behalf, assumes no responsibility or liability for any errors or inaccuracies.

Information contained herein is intended to provide a product description only. No license, express or implied, by estoppel or otherwise, to any intellectual property rights is granted by this document. Except as provided in Vishay's terms and conditions of sale for such products, Vishay assumes no liability whatsoever, and disclaims any express or implied warranty, relating to sale and/or use of Vishay products including liability or warranties relating to fitness for a particular purpose, merchantability, or infringement of any patent, copyright, or other intellectual property right.

The products shown herein are not designed for use in medical, life-saving, or life-sustaining applications. Customers using or selling these products for use in such applications do so at their own risk and agree to fully indemnify Vishay for any damages resulting from such improper use or sale.