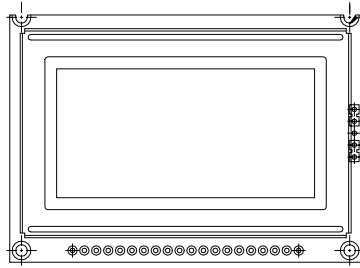


128 x 64 Dots Graphic LCD



FEATURES

- Built-in controller (KS0107 - KS0108 re Equivalent)
- + 5V power supply
- 1/64 duty cycle
- N.V. Built-in

MECHANICAL DATA		
ITEM	STANDARD VALUE	UNIT
Module Dimension	75.0 x 52.7	mm
Viewing Area	60.0 x 32.6	mm
Dot Size	0.4 x 0.4	mm
Dot Pitch	0.43 x 0.43	mm

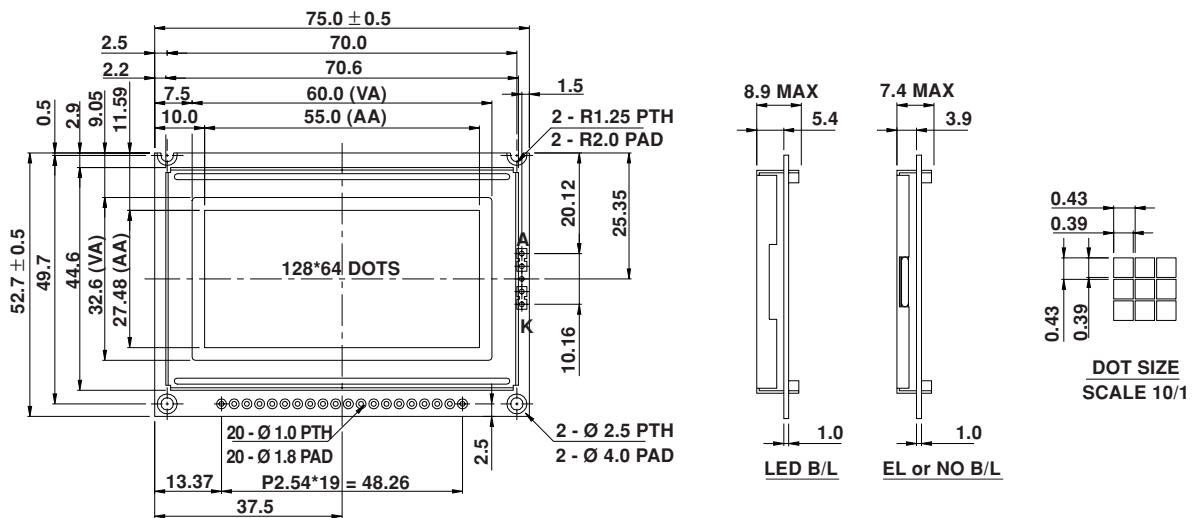
ABSOLUTE MAXIMUM RATING					
ITEM	SYMBOL	STANDARD VALUE			UNIT
		MIN.	TYP.	MAX.	
Power Supply	VDD-VSS	4.75	5.0	5.25	V
Input Voltage	VI	- 0.3	-	VDD	V

NOTE: VSS = 0 Volt, VDD = 5.0 Volt

ELECTRICAL SPECIFICATIONS						
ITEM	SYMBOL	CONDITION	STANDARD VALUE			UNIT
			MIN.	TYP.	MAX.	
Input Voltage	VDD	L level	$0.7V_{DD}$	-	V_{DD}	V
	VIO	H level	0	-	$0.3V_{DD}$	V
Supply Current	IDD	VDD = 5V	-	4.0	5.2	mA
Recommended LC Driving Voltage for Normal Temp. Version Module	VDD-V0	0°C	9.7	10.2	10.7	V
		25°C	7.5	8.0	8.5	
		50°C	8.6	9.1	9.6	
LED Forward Voltage	VF	25°C	-	4.0	4.4	V
LED Forward Current	IF	25°C	-	100	200	mA
EL Power Supply Current	IEL	Vel = 110VAC:400Hz	-	-	5.0	mA

PIN NUMBER	SYMBOL	FUNCTION
1	Vdd	Power Supply (+5V)
2	GND	Power Supply (GND)
3	Vo	Contrast Adjustment
4	DB0	Data Bus Line
5	DB1	Data Bus Line
6	DB2	Data Bus Line
7	DB3	Data Bus Line
8	DB4	Data Bus Line
9	DB5	Data Bus Line
10	DB6	Data Bus Line
11	DB7	Data Bus Line
12	CS1	Chip Select IC1
13	CS2	Chip Select IC2
14	RST	Reset Signal
15	R/W	Data Read/Write
16	D/I	Data/Instruction
17	E	Enable Signal
18	Vee	Negative Voltage Output
19	A	Power Supply for LED (4.2V)
20	K	Power Supply for LED (0V)

DIMENSIONS in millimeters





Notice

Specifications of the products displayed herein are subject to change without notice. Vishay Intertechnology, Inc., or anyone on its behalf, assumes no responsibility or liability for any errors or inaccuracies.

Information contained herein is intended to provide a product description only. No license, express or implied, by estoppel or otherwise, to any intellectual property rights is granted by this document. Except as provided in Vishay's terms and conditions of sale for such products, Vishay assumes no liability whatsoever, and disclaims any express or implied warranty, relating to sale and/or use of Vishay products including liability or warranties relating to fitness for a particular purpose, merchantability, or infringement of any patent, copyright, or other intellectual property right.

The products shown herein are not designed for use in medical, life-saving, or life-sustaining applications. Customers using or selling these products for use in such applications do so at their own risk and agree to fully indemnify Vishay for any damages resulting from such improper use or sale.