



Endicott Research Group, Inc.  
 2601 Wayne St., Endicott, NY 13760  
 607-754-9187 Fax 607-754-9255  
<http://www.ergpower.com>

## Specifications and Applications Information

12/02/04

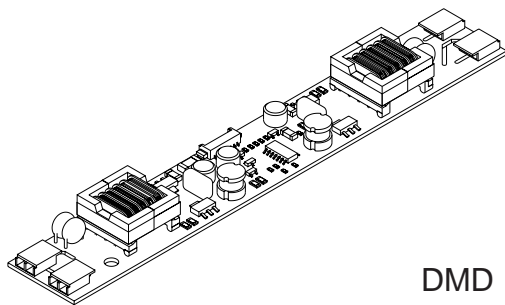
Preliminary

The ERG DMD43216 (DMD Series) DC to AC inverter features onboard connectors and can be easily dimmed using the onboard PWM Dimming or an external PWM generator.

Powered by a regulated +12 Volt DC source, the DMD43216 is designed to power the backlight of the Sharp LQ170E1LG11.

### Product Features

- ✓ Small Package Size
- ✓ High Dimming Ratio
- ✓ High Efficiency
- ✓ Made in U.S.A.



DMD Package

PCB components are shown for reference only.  
 Actual product may differ from that shown.

### Connectors

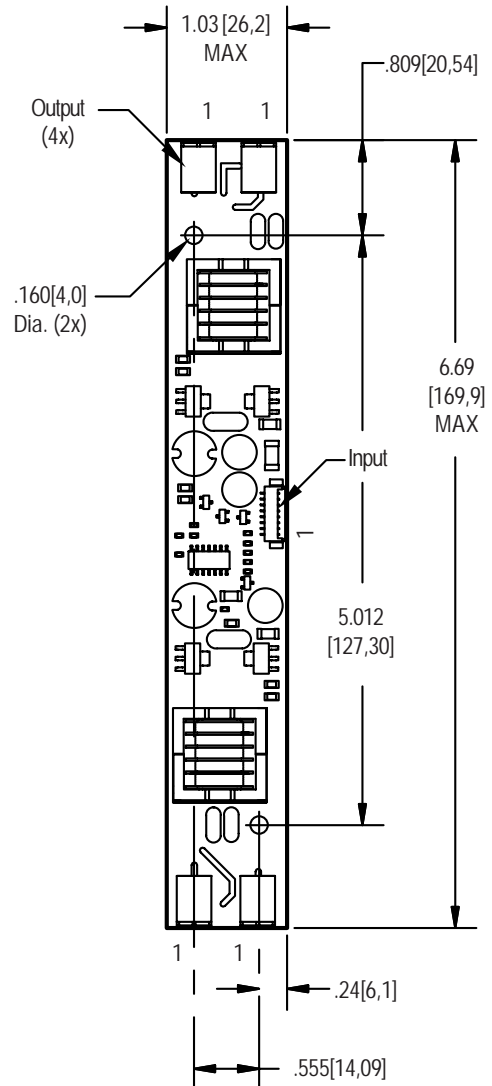
Output  
 JST SM02B-BHSS-1-TB

Input  
 Molex 53261-0890

# DMD43216

## Four Tube DC to AC Inverter

### Package Configuration



Mass: 45 grams

### Pin Descriptions

J2-1 ACout	J1-1 Vin	J3-1 ACout
J2-2 ACcommon	J1-2 Vin	J3-2 ACcommon
	J1-3 GND	
J4-1 ACout	J1-4 GND	J5-1 ACout
J4-2 ACcommon	J1-5 Enable	J5-2 ACcommon
	J1-6 Control	
	J1-7 GND	
	J1-8 GND	



## Absolute Maximum Ratings (Note 1)

Rating	Symbol	Value	Units
Input Voltage	$V_{in}$	-0.3 to +13.2	Vdc
Operating Temperature	$T_a$	-0 to +85	°C
Storage Temperature	$T_s$	-40 to +85	°C

## Recommended Operating Conditions

Rating	Symbol	Value	Units
Input Voltage	$V_{in}$	+6 to 13.2	Vdc
Operating Temperature <small>(Note 2)</small>	$T_a$	0 to +70	°C

## Electrical Characteristics

Unless otherwise noted  $V_{in} = 12.00$  Volts dc and  $T_a = 25^\circ\text{C}$

Characteristic	Symbol	Min	Typ	Max	Units
Input Current	$I_{in}$	-	1.66	2.0	$A_{DC}$
Input Ripple Current	$I_{rip}$	-	20	-	$mA_{pk-pk}$
Operating Frequency	$F_o$	26	31	36	KHz
Efficiency	$\eta$	-	85	-	%
Output Voltage (no load)	$V_{start}$	1800	-	-	V
Output Voltage (with load simulating specified lamp)	$V_{out}$	-	650	-	V
Output Current (per lamp)	$I_{out}$	-	6.5	-	$mArms$
<b>Enable (pin J2-5)</b>					
Turn-off Threshold	$V_{thoff}$	-	-	1	V
Turn-On Threshold	$V_{thon}$	2.5	-	-	V
Impedance to Vin	$R_{Disable}$	9.5	10.0	10.5	KOhm

**(Note 1)** Reliable and predictable operation of the device is not guaranteed with applied stresses at or beyond those listed in "Absolute Maximum Ratings". Operation at these limits may reduce device reliability and is therefore not recommended. Please refer to "Recommended Operating Conditions" for reliable operation of the device.

**(Note 2)** Reliable operation above 50°C is possible if airflow is provided.

### Application Notes:

- 1) The minimum distance from high voltage areas of the inverter to any conductive material should be .12 inches per kilovolt of starting voltage.
- 2) Mounting hardware should be non-conductive.
- 3) Open framed inverters should not be used in applications at altitudes over 10,000 feet.
- 4) Contact ERG for possible exceptions.

## Onboard PWM

Unless otherwise noted  $V_{in} = 12.00$  Volts DC ,  $T_a = 25$  °C and unit has been running for 5 minutes.

Characteristic	Symbol	Min	Typ	Max	Units
Frequency	$f_{pwm}$	-	160	-	Hz
Control Input Bias Current	$I_{cbias}$	-	-	10	uA

## Pin Descriptions

- Vin** Input voltage to the inverter. The four pins should be connected for optimum reliability and efficiency.
- GND** Inverter ground. The two pins should be connected for optimum reliability and efficiency.
- Control** Analog voltage input to the onboard pulse width modulator. Decreasing this voltage increases the ON time of the onboard PWM resulting in increased brightness. The inverter is full ON when this voltage is near inverter ground.
- Enable** Inverter Enable. Pull this pin low to disable inverter operation. This pin must be high to enable the inverter. The onboard PWM is always utilized.

## Application information

The DMD series of inverters is designed to power up to four cold cathode fluorescent lamps. An external analog control interfaces with an onboard pulse width modulator to provide dimming control. The DMD inverter can reliably dim to less than 5% duty cycle.

External shutdown of the inverter is accomplished using the Enable pin. Pulling this pin low (below  $V_{thoff}$ ) disables the inverter. Enabling the inverter is accomplished by pulling this pin high (above  $V_{thon}$ ).

If analog voltage dimming is required, the analog voltage is applied to the Control pin. Figure 1 shows how to connect the inverter for onboard PWM operation. Graph 1 shows the relationship of PWM duty cycle to input control voltage.

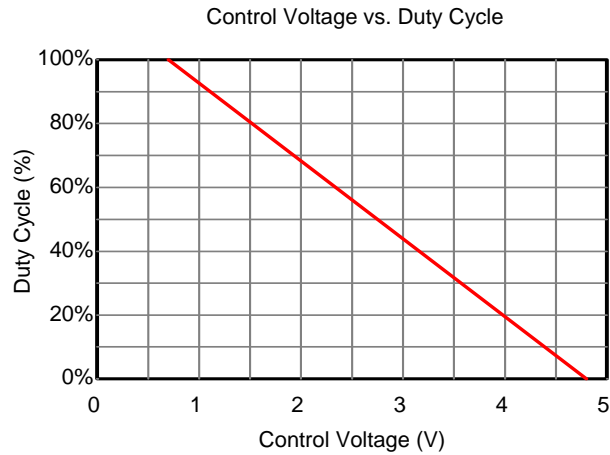
If an external PWM is used, simply connect the Enable pin to the PWM source and connect the Control pin to inverter Ground. If the onboard PWM is used, connect the analog voltage to the Control pin.



Endicott Research Group, Inc.

2601 Wayne St., Endicott, NY 13760  
607-754-9187 Fax 607-754-9255  
<http://www.ergpower.com>





Graph 1

## Typical Application

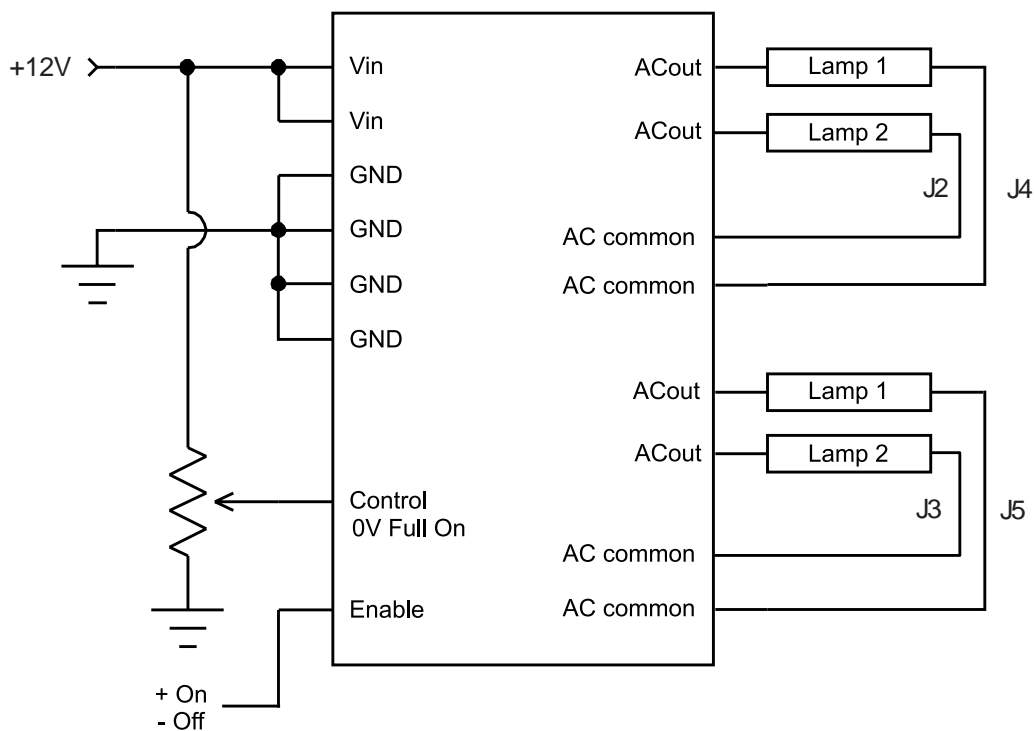


Figure 1



Endicott Research Group, Inc. (ERG) reserves the right to make changes in circuit design and/or specifications at any time without notice. Accordingly, the reader is cautioned to verify that data sheets are current before placing orders. Information furnished by ERG is believed to be accurate and reliable. However, no responsibility is assumed by ERG for its use.