

Technical Data Sheet

Photolink- Fiber Optic Transmitter

PLT133/T2

Features

- High speed signal transmission (16Mbps NRZ Signal)
- TTL interface compatible
- +3~+5V single power source
- Pb Free
- The product itself will remain within RoHS compliant version.

Descriptions

The opto-electrical component is assembled with a 660nm AlGaInP LED and a driver IC. It transforms the electrical signal to optical signal and be transmitted by 1mm diameter plastic optical fiber.

The component is operated at +3~+5V and has good performance at low dissipation current, steady light output and efficient light coupling.



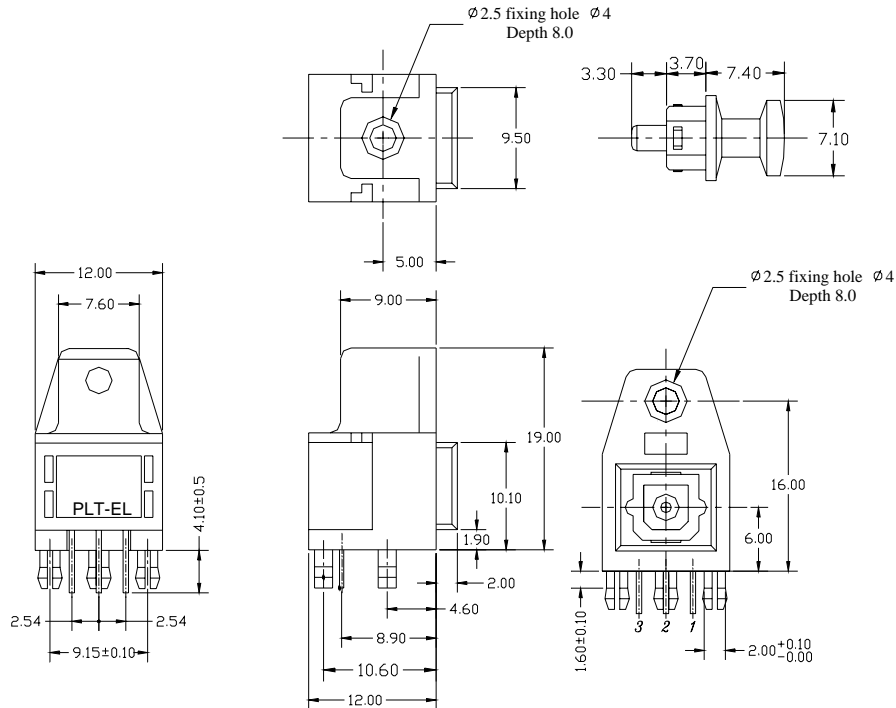
Applications

- Digital audio equipment
- CD player
- DVD player

Device Selection Guide

Chip		Operating Voltage (Vcc)	Dissipation Current (mA)		Fiber Coupling Light Output (dBm)		
Material	λ p(nm)		Typ.	Max.	Min.	Typ.	Max.

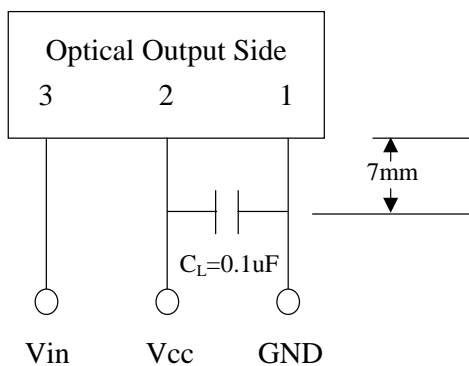
Package Dimensions



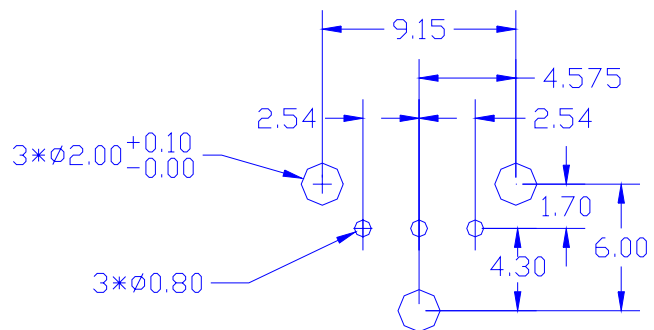
Notes: 1.All dimensions are in millimeters.
2.General Tolerance :±0.3mm

Pin Function: 1.GND
2.Vcc
3.Vin

Using Method



PCB Layout for Electrical Circuit



Notes:
1. unit:mm
2.Dimension Tolerance:±0.25mm
3.Substrate Thickness:1.6mm

Absolute Maximum Ratings(Ta = 25°C)

Parameter	Symbol	Rating	Unit
Supply Voltage	Vcc	-0.5 to 7	V
DC Input Voltage	Vin	-0.5 to Vcc+0.5	V
Storage Temperature	Tstg	-40 to 85	°C
Operating Temperature	Topr	-20 to 70	°C
Soldering Temperature	Tsol	260*	°C

* Soldering time ≤ 10 s.

Electro-Optical Characteristics

Parameter	Symbol	Conditions	MIN.	TYP.	MAX.	Unit
Operating Voltage	Vcc	Low Voltage	2.75	3.00	3.25	V
		High Voltage	4.75	5.00	5.25	V
Peak Emission Wavelength	λ_p		640	660	680	nm
Transmission Rate		NRZ Code	DC	-	16	Mbps
Fiber Coupling Output Power	Pf	*1	-21	-18	-15	dBm
Dissipation Current	Icc	*1	3	-	10	mA
High Level Input Voltage	V _{IH}		2	-	-	V
Low Level Input Voltage	V _{IL}		-	-	0.8	V
Low to High Delay Time	t _{pLH}	*2	-	-	120	ns
High to Low Delay Time	t _{pHL}	*2	-	-	120	ns
Pulse Width Distortion	Δtw	*2	-25	-	25	ns
Jitter	Δtj	*2	-	-	20	ns

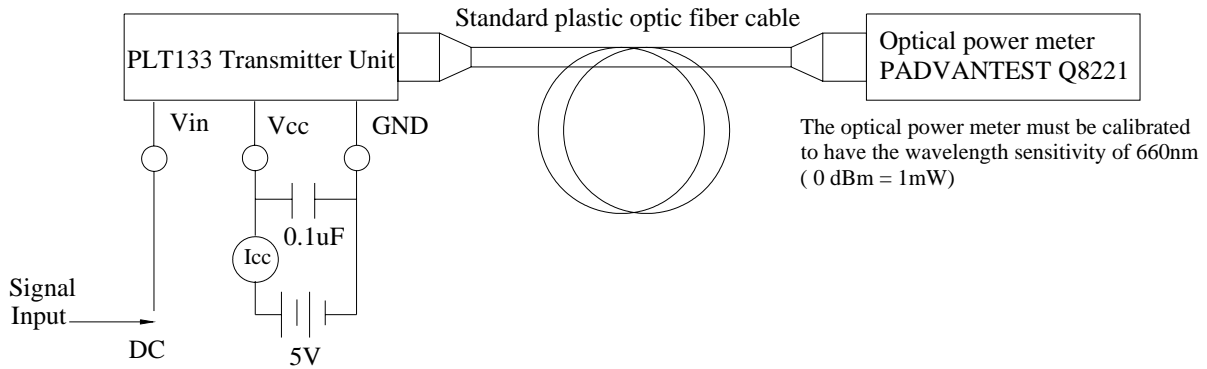
*All Plastic Optical Fiber (980/1000um)

*Circuit Layout Notice:

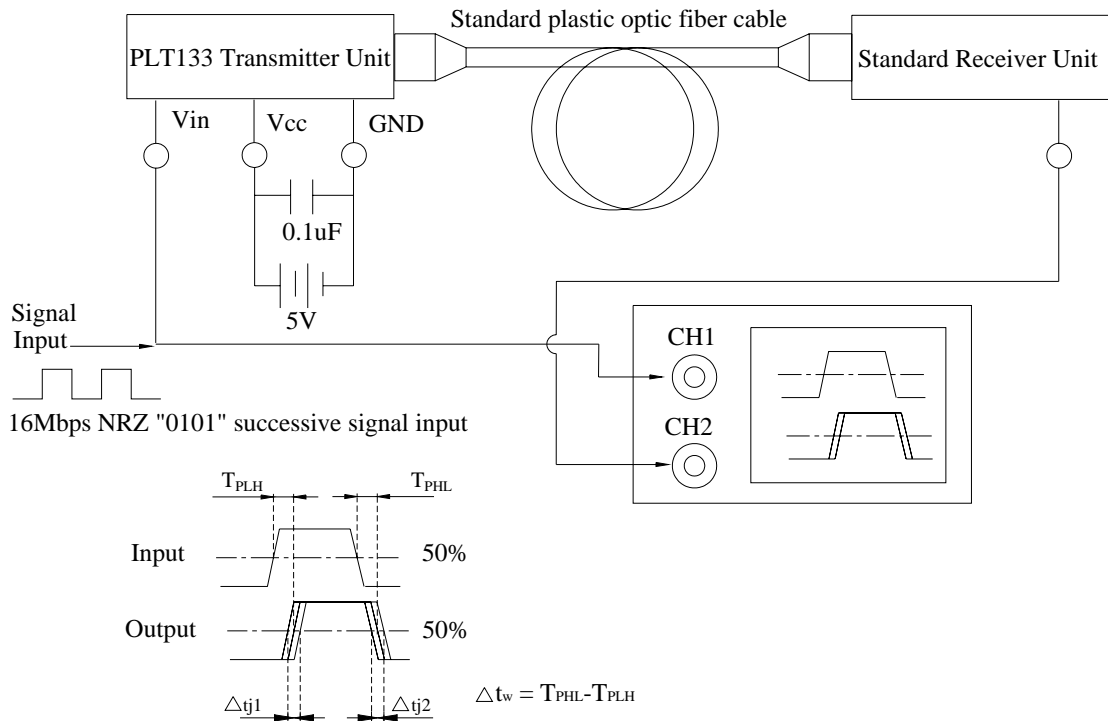
When power is off, it must be cut off together in Vin and Vcc pin. If it only has Vcc power-off, LED will be sparkling because LED is just threshold condition.

Measuring Method

*1 Measuring method of optical output coupling fiber and dissipation current



*2 Pulse response measuring method



RELIABILITY TEST ITEMS

No.	Item	Test Condition	Test Hour/Cycle	Sample Size (Piece)	Number (n) Failure (c)
1	Soldering Heat	260°C±5°C	10 seconds	22	n=22, c=0
2	High Temp. Storage	Ta=100°C	1000hrs	22	n=22, c=0
3	Low Temp. Storage	Ta=-55°C	1000hrs	22	n=22, c=0
4	High Temp. & Humid. Test	Ta=85°C, RH=85%	1000hrs	22	n=22, c=0
5	Temperature Cycle	-40°C ~~~~ 85°C (30min) (5min) (30min)	300cycle	22	n=22, c=0
6	Thermal Shock	-10°C ~~~~ 100°C (5min) (10sec) (5min)	300cycle	22	n=22, c=0
7	DC Operating Life	Vcc=5V, Ta=25°C Vin: DC (5V)	1000hrs	22	n=22, c=0

*Icc(mA): Brightness Attenuate Difference < 20%

*Pf (Fiber Coupling Output Power) : Brightness Attenuate Difference < 20%

EVERLIGHT ELECTRONICS CO., LTD.
Office: No 25, Lane 76, Sec 3, Chung Yang Rd,
Tucheng, Taipei 236, Taiwan, R.O.C

Tel: 886-2-2267-2000, 2267-9936
Fax: 886-2267-6244, 2267-6189, 2267-6306
<http://www.everlight.com>