

---

## Features

- 16-channel GPS Correlator
  - 8192 Search Bins with GPS Acquisition Accelerator
  - Accuracy: 2.5m CEP (Stand-Alone, S/A off)
  - Time to First Fix: 34s (Cold Start)
  - Acquisition Sensitivity: –142 dBm
  - Tracking Sensitivity: –158 dBm
- Utilizes the ARM7TDMI<sup>®</sup> ARM<sup>®</sup> Thumb<sup>®</sup> Processor Core
  - High-performance 32-bit RISC Architecture
  - High-density 16-bit Instruction Set
  - Embedded ICE (In-circuit Emulator)
- 128 Kbyte Internal RAM
- 384 Kbyte Internal ROM with u-blox GPS Firmware
- 6-channel Peripheral Data Controller (PDC)
- 8-level Priority, Individually Maskable, Vectored Interrupt Controller
  - 2 External Interrupts
- 24 User-programmable I/O Lines
- 1 USB Device Port
  - Universal Serial Bus (USB) V2.0 Full-speed Device
  - Embedded USB V2.0 Full-speed Transceiver
  - Suspend/Resume Logic
  - Ping-pong Mode for Isochronous and Bulk Endpoints
- 2 USARTs
  - 2 Dedicated Peripheral Data Controller (PDC) Channels per USART
- Master/Slave SPI Interface
  - 2 Dedicated Peripheral Data Controller (PDC) Channels
  - 8-bit to 16-bit Programmable Data Length
  - 4 External Slave Chip Selects
- Programmable Watchdog Timer
- Advanced Power Management Controller (APMC)
  - Peripherals Can Be Deactivated Individually
  - Geared Master Clock to Reduce Power Consumption
  - Sleep State with Disabled Master Clock
  - Hibernate State with 32.768 kHz Master Clock
- Real Time Clock (RTC)
- 2.3V to 3.6V or 1.8V Core Supply Voltage
- Includes Power Supervisor
- 1.8V to 3.3V User-definable I/O Voltage for Several GPIOs with 5V Tolerance
- 4 Kbytes Battery Backup Memory
- 8 mm × 8 mm 56 Pin QFN56 Package
- Pb-free, RoHS-compliant, Green



---

## GPS Baseband Processor SuperSense

---

**ATR0625**

**Preliminary**

Rev. 4925A–GPS–02/06





## 1. Description

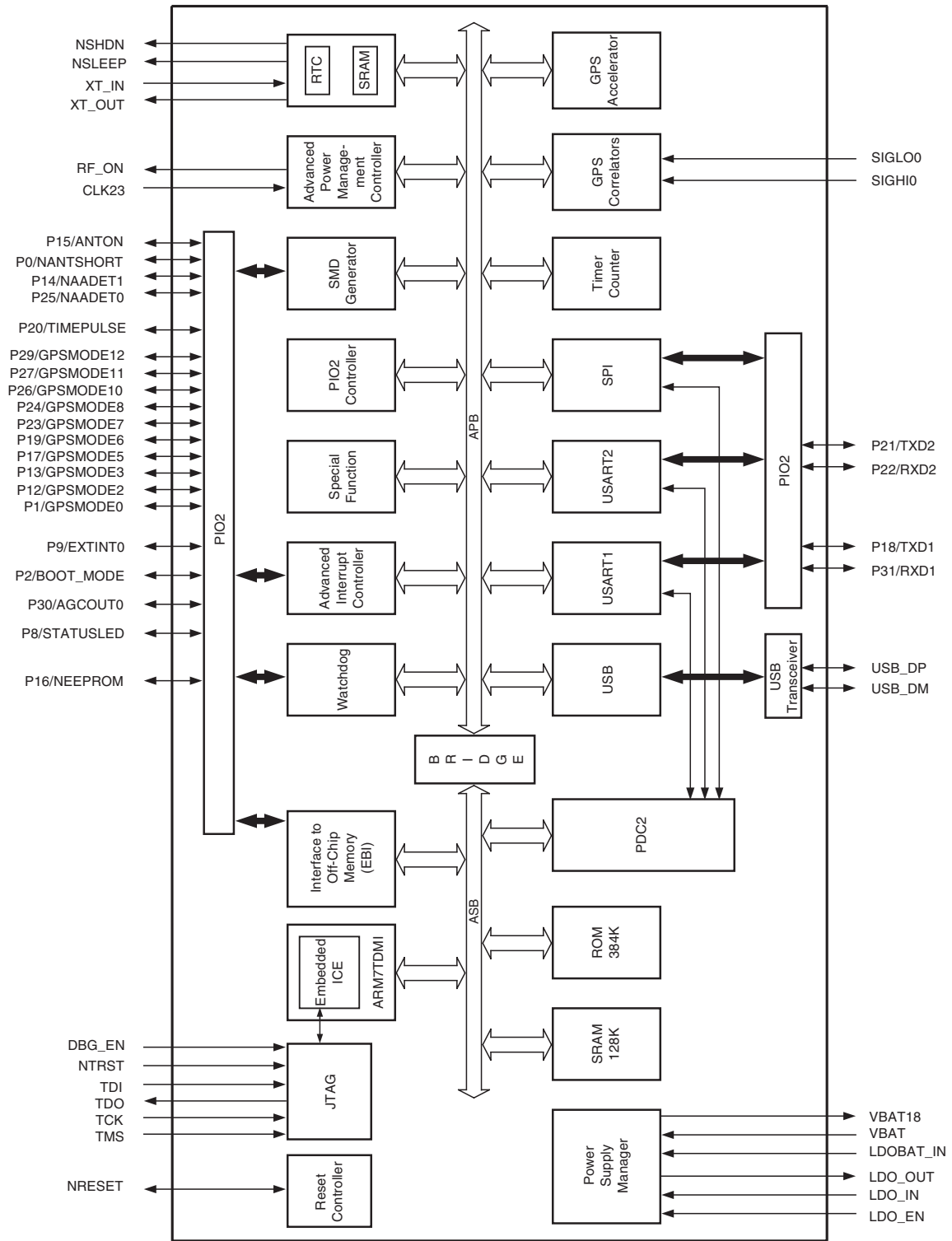
The GPS baseband processor ATR0625 includes a 16-channel GPS correlator and is based on the ARM7TDMI® processor core.

This processor has a high-performance 32-bit RISC architecture and very low power consumption. In addition, a large number of internally banked registers result in very fast exception handling, making the device ideal for real-time control applications. The ATR0625 has two USART and an USB device port. This port is compliant with the Universal Serial Bus (USB) V2.0 full-speed device specification.

The ATR0625 includes full GPS SuperSense™ firmware, licensed from u-blox AG, which performs the basic GPS operation, including tracking, acquisition, navigation and position data output. For normal PVT (Position/Velocity/Time) applications, there is no need for off-chip Flash memory or ROM. The firmware supports the possibility to store the configuration settings in an optional external EEPROM. For customer-specific applications, a Software Development Kit is available.

The ATR0625 is manufactured using Atmel's high-density CMOS technology. By combining the ARM7TDMI microcontroller core with on-chip SRAM, 16-channel GPS correlator, and a wide range of peripheral functions on a monolithic chip, the ATR0625 provides a highly flexible and cost-effective solution for GPS applications.

Figure 1-1. ATR0625 Block Diagram





## 2. Architectural Overview

### 2.1 Description

The ATR0625 architecture consists of two main buses, the Advanced System Bus (ASB) and the Advanced Peripheral Bus (APB). The ASB is designed for maximum performance. It interfaces the processor with the on-chip 32-bit memories. The APB is designed for accesses to on-chip peripherals and is optimized for low power consumption. The AMBA™ Bridge provides an interface between the ASB and the APB.

An on-chip Peripheral Data Controller (PDC2) transfers data between the on-chip USARTs/SPI and the on-chip and off-chip memories without processor intervention. Most importantly, the PDC2 removes the processor interrupt handling overhead and significantly reduces the number of clock cycles required for a data transfer. It can transfer up to 64K contiguous bytes without reprogramming the starting address. As a result, the performance of the microcontroller is increased and the power consumption reduced.

The ATR0625 peripherals are designed to be easily programmable with a minimum number of instructions. Each peripheral has a 16 Kbyte address space allocated in the upper 3 Mbyte of the 4 Gbyte address space. (Except for the interrupt controller, which has 4 Kbyte address space.) The peripheral base address is the lowest address of its memory space. The peripheral register set is composed of control, mode, data, status, and interrupt registers.

To maximize the efficiency of bit manipulation, frequently written registers are mapped into three memory locations. The first address is used to set the individual register bits, the second resets the bits, and the third address reads the value stored in the register. A bit can be set or reset by writing a "1" to the corresponding position at the appropriate address. Writing a "0" has no effect. Individual bits can thus be modified without having to use costly read-modify-write and complex bit-manipulation instructions.

All of the external signals of the on-chip peripherals are under the control of the Parallel I/O (PIO2) Controller. The PIO2 Controller can be programmed to insert an input filter on each pin or generate an interrupt on a signal change. After reset, the user must carefully program the PIO2 Controller in order to define which peripheral signals are connected with off-chip logic.

The ARM7TDMI® processor operates in little-endian mode on the ATR0625 GPS Baseband. The processor's internal architecture and the ARM® and Thumb® instruction sets are described in the ARM7TDMI datasheet. The memory map and the on-chip peripherals are described in detail in the ATR0625 full datasheet. The electrical and mechanical characteristics are also documented in the ATR0625 full datasheet.

The ARM standard In-Circuit Emulator (ICE) debug interface is supported via the JTAG/ICE port of the ATR0625.

For features of the ROM firmware, refer to the software documentation available from u-blox AG, Switzerland.

### 3. Pin Configuration

#### 3.1 Pinout

Figure 3-1. Pinout QFN56 (Top View)

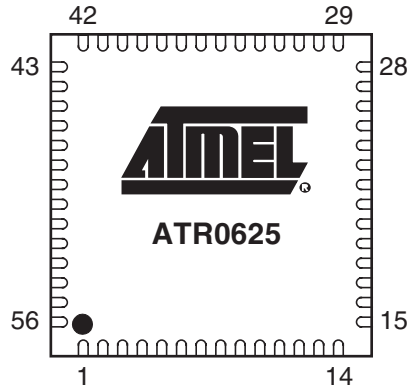


Table 3-1. ATR0625 Pinout

Pin Name	QFN56	Pin Type	Pull Resistor (Reset Value) <sup>(1)</sup>	Firmware Label	PIO Bank A		PIO Bank B	
					I	O	I	O
CLK23	37	IN						
DBG_EN	8	IN	PD					
GND	<sup>(2)</sup>	IN						
LDOBAT_IN	21	IN						
LDO_EN	25	IN						
LDO_IN	20	IN						
LDO_OUT	19	OUT						
NRESET	41	I/O	Open Drain PU					
NSHDN	26	OUT						
NSLEEP	24	OUT						
NTRST	13	IN	PD					
P0	40	I/O	PD	NANTSHORT				
P1	47	I/O	Configurable (PD)	GPSMODE0		AGCOUT1		
P2	46	I/O	Configurable (PD)	BOOT_MODE		"0"		
P8	48	I/O	Configurable (PD)	STATUSLED		"0"		
P9	29	I/O	PU	EXTINT0	EXTINT0			
P12	49	I/O	Configurable (PU)	GPSMODE2		NPCS2		
P13	32	I/O	PU	GPSMODE3	EXTINT1			

- Notes:
1. PD = internal pull-down resistor, PU = internal pull-up resistor, OH = switched to Output High at reset
  2. Ground plane
  3. VBAT18 represent the internal power supply of the backup power domain, see section "Power Supply" on page 17.
  4. VDDIO is the supply voltage for the following GPIO-pins: P1, P2, P8, P12, P14, P16, P17, P18, P19, P20, P21, P23, P24, P25, P26, P27 and P29, see section "Power Supply" on page 17.
  5. VDD\_USB is the supply voltage for following the USB-pins: USB\_DM and USB\_DP, see section "Power Supply" on page 17. For operation of the USB interface, supply of 3.0V to 3.6V is required.
  6. This pin is not connected



**Table 3-1.** ATR0625 Pinout (Continued)

Pin Name	QFN56	Pin Type	Pull Resistor (Reset Value) <sup>(1)</sup>	Firmware Label	PIO Bank A		PIO Bank B	
					I	O	I	O
P14	1	I/O	Configurable (PD)	NAADET1		"0"		
P15	17	I/O	PD	ANTON				
P16	6	I/O	Configurable (PU)	NEEPROM	SIGHI1			NWD_OVF
P17	2	I/O	Configurable (PD)	GPSMODE5	SCK1	SCK1		
P18	45	I/O	Configurable (PU)	TXD1		TXD1		"0"
P19	53	I/O	Configurable (PU)	GPSMODE6	SIGLO1			"0"
P20	4	I/O	Configurable (PD)	TIMEPULSE	SCK2	SCK2		TIMEPULSE
P21	52	I/O	Configurable (PU)	TXD2		TXD2		"0"
P22	30	I/O	PU	RXD2	RXD2			
P23	3	I/O	Configurable (PU)	GPSMODE7	SCK	SCK		MCLK_OUT
P24	5	I/O	Configurable (PU)	GPSMODE8	MOSI	MOSI		"0"
P25	55	I/O	Configurable (PD)	NAADET0	MISO	MISO		"0"
P26	44	I/O	Configurable (PU)	GPSMODE10	NSS	NPCS0		"0"
P27	54	I/O	Configurable (PU)	GPSMODE11		NPCS1		
P29	50	I/O	Configurable (PU)	GPSMODE12		NPCS3		
P30	16	I/O	PD	AGCOUT0		AGCOUT0		"0"
P31	31	I/O	PU	RXD1	RXD1			
RF_ON	15	OUT	PD					
SIGHI0	38	IN						
SIGLO0	39	IN						
TCK	9	IN	PU					
TDI	10	IN	PU					
TDO	11	OUT						
TMS	12	IN	PU					
USB_DM	34	I/O						
USB_DP	35	I/O						
VBAT	22	IN						
VBAT18 <sup>(3)</sup>	23	OUT						
VDD18	7, 14	IN						
VDD18	18, 36	IN						
VDD18	51	IN						
VDDIO <sup>(4)</sup>	43, 56	IN						
VDD_USB <sup>(5)</sup>	33	IN						
XT_IN	28	IN						
XT_OUT	27	OUT						
NC <sup>(6)</sup>	42							

- Notes:
1. PD = internal pull-down resistor, PU = internal pull-up resistor, OH = switched to Output High at reset
  2. Ground plane
  3. VBAT18 represent the internal power supply of the backup power domain, see section "Power Supply" on page 17.
  4. VDDIO is the supply voltage for the following GPIO-pins: P1, P2, P8, P12, P14, P16, P17, P18, P19, P20, P21, P23, P24, P25, P26, P27 and P29, see section "Power Supply" on page 17.
  5. VDD\_USB is the supply voltage for following the USB-pins: USB\_DM and USB\_DP, see section "Power Supply" on page 17. For operation of the USB interface, supply of 3.0V to 3.6V is required.
  6. This pin is not connected

## 3.2 Signal Description

**Table 3-2.** ATR0625 Signal Description

Module	Name	Function	Type	Active Level	Comment
EBI	BOOT_MODE	Boot Mode Input	Input	–	PIO-controlled after reset, internal pull-down resistor
USART	TXD1 to TXD2	Transmit Data Output	Output	–	PIO-controlled after reset
	RXD1 to RXD2	Receive Data Input	Input	–	PIO-controlled after reset
	SCK1 to SCK2	External Synchronous Serial Clock	I/O	–	PIO-controlled after reset
USB	USB_DP	USB Data (D+)	I/O	–	
	USB_DM	USB Data (D-)	I/O	–	
APMC	RF_ON		Output	–	Interface to ATR0601
AIC	EXTINT0-1	External Interrupt Request	Input	High/ Low/ Edge	PIO-controlled after reset
AGC	AGCOUT0-1	Automatic Gain Control	Output	–	Interface to ATR0601 PIO-controlled after reset
RTC	NSLEEP	Sleep Output	Output	Low	Interface to ATR0601
	NSHDN	Shutdown Output	Output	Low	Connect to pin LDO_EN
	XT_IN	Oscillator Input	Input	–	RTC oscillator
	XT_OUT	Oscillator Output	Output	–	RTC oscillator
SPI	SCK	SPI Clock	I/O	–	PIO-controlled after reset
	MOSI	Master Out Slave In	I/O	–	PIO-controlled after reset
	MISO	Master In Slave Out	I/O	–	PIO-controlled after reset
	NSS/NPCS0	Slave Select	I/O	Low	PIO-controlled after reset
	NPCS1 to NPCS3	Slave Select	Output	Low	PIO-controlled after reset
WD	NWD_OVF	Watchdog Timer Overflow	Output	–	PIO-controlled after reset
PIO	P0 to P31	Programmable I/O Port	I/O	–	Input after reset
GPS	SIGHI0	Digital IF	Input	–	Interface to ATR0601
	SIGLO0	Digital IF	Input	–	Interface to ATR0601
	SIGHI1	Digital IF	Input	–	PIO-controlled after reset
	SIGLO1	Digital IF	Input	–	PIO-controlled after reset
	TIMEPULSE	GPS synchronized time pulse	Output	–	PIO-controlled after reset
CONFIG	GPSMODE0-12	GPS Mode	Input	–	PIO-controlled after reset
	STATUSLED	Status LED	Output	–	PIO-controlled after reset
	NEEPROM	Enable EEPROM Support	Input	Low	PIO-controlled after reset
	ANTON	Active antenna power on Output	Output	–	PIO-controlled after reset
	NANTSHORT	Active antenna short circuit detection Input	Input	Low	PIO-controlled after reset
	NAADETO-1	Active antenna detection Input	Input	Low	PIO-controlled after reset

Note: 1. The USB transceiver is disabled if VDD\_USB < 2.0V. In this case the pins USB\_DM and USB\_DP are connected to GND (internal pull-down resistors). The USB transceiver is enabled if VDD\_USB is within 3.0V and 3.6V.

**Table 3-2.** ATR0625 Signal Description (Continued)

Module	Name	Function	Type	Active Level	Comment
JTAG/ICE	TMS	Test Mode Select	Input	–	Internal pull-up resistor
	TDI	Test Data In	Input	–	Internal pull-up resistor
	TDO	Test Data Out	Output	–	
	TCK	Test Clock	Input	–	Internal pull-up resistor
	NTRST	Test Reset Input	Input	Low	Internal pull-down resistor
	DBG_EN	Debug Enable	Input	High	Internal pull-down resistor
CLOCK	CLK23	Clock Input	Input	–	Interface to ATR0601, Schmitt trigger input
	MCLK_OUT	Master Clock Output	Output	–	PIO-controlled after reset
RESET	NRESET	Reset Input	I/O	Low	Open drain with internal pull-up resistor
POWER	VDD18		Power	–	Core voltage 1.8V
	VDDIO		Power	–	Variable IO voltage 1.65V to 3.6V
	VDD_USB		Power	–	USB voltage 0 to 2.0V or 3.0V to 3.6V <sup>(1)</sup>
	GND		Power	–	Ground
LDOBAT	LDOBAT_IN		Power	–	2.3V to 3.6V
	VBAT		Power	–	1.5V to 3.6V
	VBAT18		Out	–	1.8V backup voltage
LDO18	LDO_IN	LDO In	Power	–	2.3V to 3.6V
	LDO_OUT	LDO Out	Power	–	1.8V core voltage, max. 80 mA
	LDO_EN	LDO Enable	Input	–	

Note: 1. The USB transceiver is disabled if VDD\_USB < 2.0V. In this case the pins USB\_DM and USB\_DP are connected to GND (internal pull-down resistors). The USB transceiver is enabled if VDD\_USB is within 3.0V and 3.6V.



**3.3 Setting GPSPMODE0 to GPSPMODE12**

The start-up configuration of a ROM-based system without external non-volatile memory is defined by the status of the GPSPMODE pins after system reset. Alternatively, the system can be configured through message commands passed through the serial interface after start-up. This configuration of the ATR0625 can be stored in an external non-volatile memory like EEPROM. *Default* designates settings used by ROM firmware if GPSPMODE configuration is disabled (GPSPMODE0 = 0).

**Table 3-3.** GPSPMODE Functions

Pin	Function
GPSPMODE0 (P1)	Enable configuration with GPSPMODE pins
GPSPMODE1 (P9)	This pin (EXTINT0) is used for <i>FixNow</i> functionality and not used for GPSPMODE configuration.
GPSPMODE2 (P12)	GPS sensitivity settings
GPSPMODE3 (P13)	
GPSPMODE4 (P14)	This pin (NAADET1) is used as active antenna supervisor input and not used for GPSPMODE configuration. This is the default selection if GPSPMODE configuration is disabled.
GPSPMODE5 (P17)	Serial I/O configuration
GPSPMODE6 (P19)	
GPSPMODE7 (P23)	USB Power Mode
GPSPMODE8 (P24)	General I/O Configuration
GPSPMODE9 (P25)	This pin (NAADET0) is used as active antenna supervisor input and not used for GPSPMODE configuration.
GPSPMODE10 (P26)	General I/O Configuration
GPSPMODE11 (P27)	
GPSPMODE12 (P29)	Serial I/O configuration

**3.3.1 Enable GPSPMODE Pin Configuration**

**Table 3-4.** Enable Configuration with GPSPMODE Pins

GPSPMODE0 (Reset = PD)	Description
0	Ignore all GPSPMODE pins. The default settings as indicated below are used.
1	Use settings as specified with GPSPMODE[2, 3, 5 to 8, 10 to 12]

If the GPSPMODE configuration is enabled (GPSPMODE0 = 1) and the other GPSPMODE pins are not connected externally, the reset default values of the internal pull-down and pull-up resistors will be used.



### 3.3.2 Sensitivity Settings

**Table 3-5.** GPS Sensitivity Settings

GPSPMODE3 (Fixed PU)	GPSPMODE2 (Reset = PU)	Description
0	0	Auto mode
0	1	Fast mode
1	0	Normal mode (Default ROM value)
1	1	High sensitivity

### 3.3.3 Serial I/O Configuration

The ATR0625 features a two-stage I/O message and protocol selection procedure for the two available serial ports. At the first stage, a certain protocol can be enabled or disabled for a given USART port or the USB port. Selectable protocols are RTCM, NMEA and UBX. At the second stage, messages can be enabled or disabled for each enabled protocol on each port. In all configurations discussed below, all protocols are enabled on all ports. But output messages are enabled in a way that ports appear to communicate at only one protocol. However, each port will accept any input message in any of the three implemented protocols

**Table 3-6.** Serial I/O Configuration

GPSPMODE12 (Reset = PU)	GPSPMODE6 (Reset = PU)	GPSPMODE5 (Reset = PD)	USART1/USB (Output Protocol/ Baud Rate (kBaud))	USART2 (Output Protocol/ Baud Rate (kBaud))	Messages	Information Messages
0	0	0	UBX/57.6	NMEA/19.2	High	User, Notice, Warning, Error
0	0	1	UBX/38.4	NMEA/9.6	Medium	User, Notice, Warning, Error
0	1	0	UBX/19.2	NMEA/4.8	Low	User, Notice, Warning, Error
0	1	1	-/Auto	-/Auto	Off	None
1	0	0	NMEA/19.2	UBX/57.6	High	User, Notice, Warning, Error
1	0	1	NMEA/4.8	UBX/19.2	Low	User, Notice, Warning, Error
1	1	0	NMEA/9.6	UBX/38.4	Medium	User, Notice, Warning, Error
1	1	1	UBX/115.2	NMEA/19.2	Debug	All

Both USART ports and the USB port accept input messages in all three supported protocols (NMEA, RTCM and UBX) at the configured baud rate. Input messages of all three protocols can be arbitrarily mixed. Response to a query input message will always use the same protocol as the query input message. The USB port does only accept NMEA and UBX as input protocol by default. RTCM can be enabled via protocol messages on demand.

In Auto Mode, no output message is sent out by default, but all input messages are accepted at any supported baud rate. Again, USB is restricted to only NMEA and UBX protocols. Response to query input commands will be given the same protocol and baud rate as it was used for the query command. Using the respective configuration commands, periodic output messages can be enabled.

The following message settings are used in the tables below:

**Table 3-7.** Supported Messages at Setting *Low*

<b>NMEA Port</b>	Standard	GGA, RMC
<b>UBX Port</b>	NAV	SOL, SVINFO
	MON	EXCEPT

**Table 3-8.** Supported Messages at Setting *Medium*

<b>NMEA Port</b>	Standard	GGA, RMC, GSA, GSV, GLL, VTG, ZDA
<b>UBX Port</b>	NAV	SOL, SVINFO, POSECEF, POSLLH, STATUS, DOP, VELECEF, VELNED, TIMEGPS, TIMEUTC, CLOCK
	MON	EXCEPT

**Table 3-9.** Supported Messages at Setting *High*

<b>NMEA Port</b>	Standard	GGA, RMC, GSA, GSV, GLL, VTG, ZDA, GRS, GST
	Proprietary	PUBX00, PUBX03, PUBX04
<b>UBX Port</b>	NAV	SOL, SVINFO, POSECEF, POSLLH, STATUS, DOP, VELECEF, VELNED, TIMEGPS, TIMEUTC, CLOCK
	MON	SCHD, IO, IPC, EXCEPT

**Table 3-10.** Supported Messages at Setting *Debug* (Additional Undocumented Message May be Part of Output Data)

<b>NMEA Port</b>	Standard	GGA, RMC, GSA, GSV, GLL, VTG, ZDA, GRS, GST
	Proprietary	PUBX00, PUBX03, PUBX04
<b>UBX Port</b>	NAV	SOL, SVINFO, POSECEF, POSLLH, STATUS, DOP, VELECEF, VELNED, TIMEGPS, TIMEUTC, CLOCK
	MON	SCHD, IO, IPC, EXCEPT
	RXM	RAW (RAW message support requires an additional license)

The following settings apply if GPSPMODE configuration is not enabled, that is, GPSPMODE = 0 (*ROM-Defaults*):

**Table 3-11.** Serial I/O Default Setting if GPSPMODE Configuration is Deselected (GPSPMODE0 = 0)

	<b>USB NMEA</b>	<b>USART1 NMEA</b>	<b>USART2 UBX</b>
Baud Rate (kBaud)		57.6	57.6
Input Protocol	UBX, NMEA	UBX, NMEA, RTCM	UBX, NMEA, RTCM
Output Protocol	NMEA	NMEA	UBX
Messages	GGA, RMC, GSA, GSV	GGA, RMC, GSA, GSV	NAV: SOL, SVINFO MON: EXCEPT
Information Messages (UBX INF or NMEA TXT)	User, Notice, Warning, Error	User, Notice, Warning, Error	User, Notice, Warning, Error

### 3.3.4 USB Power Mode

For correct response to the USB host queries, the device has to know its power mode. This is configured via GPSMODE7. If set to *bus powered*, an upper current limit of 100 mA is reported to the USB host; that is, the device classifies itself as a “low-power bus-powered function” with no more than one USB power unit load.

**Table 3-12.** USB Power Modes

GPSMODE7 (Reset = PU)	Description
0	USB device is bus-powered (max. current limit 100 mA)
1	USB device is self-powered (Default ROM value)

### 3.3.5 Active Antenna Supervisor

The two pins P0/NANTSHORT and P15/ANTON plus one pin of P25/NAADET0/MISO or P14/NAADET1 are always initialized as general purpose I/Os and used as follows:

- P15/ANTON is an output which can be used to switch on and off antenna power supply.
- Input P0/NANTSHORT will indicate an antenna short circuit, i.e. zero DC voltage at the antenna, to the firmware. If the antenna is switched off by output P15/ANTON, it is assumed that also input P0/NANTSHORT will signal zero DC voltage, i.e. switch to its active low state.
- Input P25/NAADET0/MISO or P14/NAADET1 will indicate a DC current into the antenna. In case of short circuit, both P0 and P25/P14 will be active, i.e. at low level. If the antenna is switched off by output P15/ANTON, it is assumed that also input P25/NAADET0/MISO will signal zero DC current, i.e. switch to its active low state. Which pin is used as NAADET (P14 or P25) depends on the settings of GPSMODE11 and GPSMODE10 (see [Table 3-14 on page 13](#)).

**Table 3-13.** Pin Usage of Active Antenna Supervisor

Pin	Usage	Meaning
P0/NANTSHORT	NANTSHORT	Active antenna short circuit detection High = No antenna DC short circuit present Low = Antenna DC short circuit present
P25/NAADET0/ MISO or P14/NAADET1	NAADET	Active antenna detection input High = No active antenna present Low = Active antenna is present
P15/ANTON	ANTON	Active antenna power on output High = Power supply to active antenna is switched on Low = Power supply to active antenna is switched off

**Table 3-14.** Antenna Detection I/O Settings

GPSMODE11 (Reset = PU)	GPSMODE10 (Reset = PU)	GPSMODE8 (Reset = PU)	Location of NAADET	Comment
0	0	0	P25/NAADET0/MISO	
0	0	1	P25/NAADET0/MISO	
0	1	0	P14/NAADET1	Reserved for further use. Do not use this setting.
0	1	1	P14/NAADET1 (Default ROM value)	
1	0	0	P14/NAADET1	Reserved for further use. Do not use this setting.
1	0	1	P14/NAADET1	Reserved for further use. Do not use this setting.
1	1	0	P25/NAADET0/MISO	
1	1	1	P25/NAADET0/MISO	

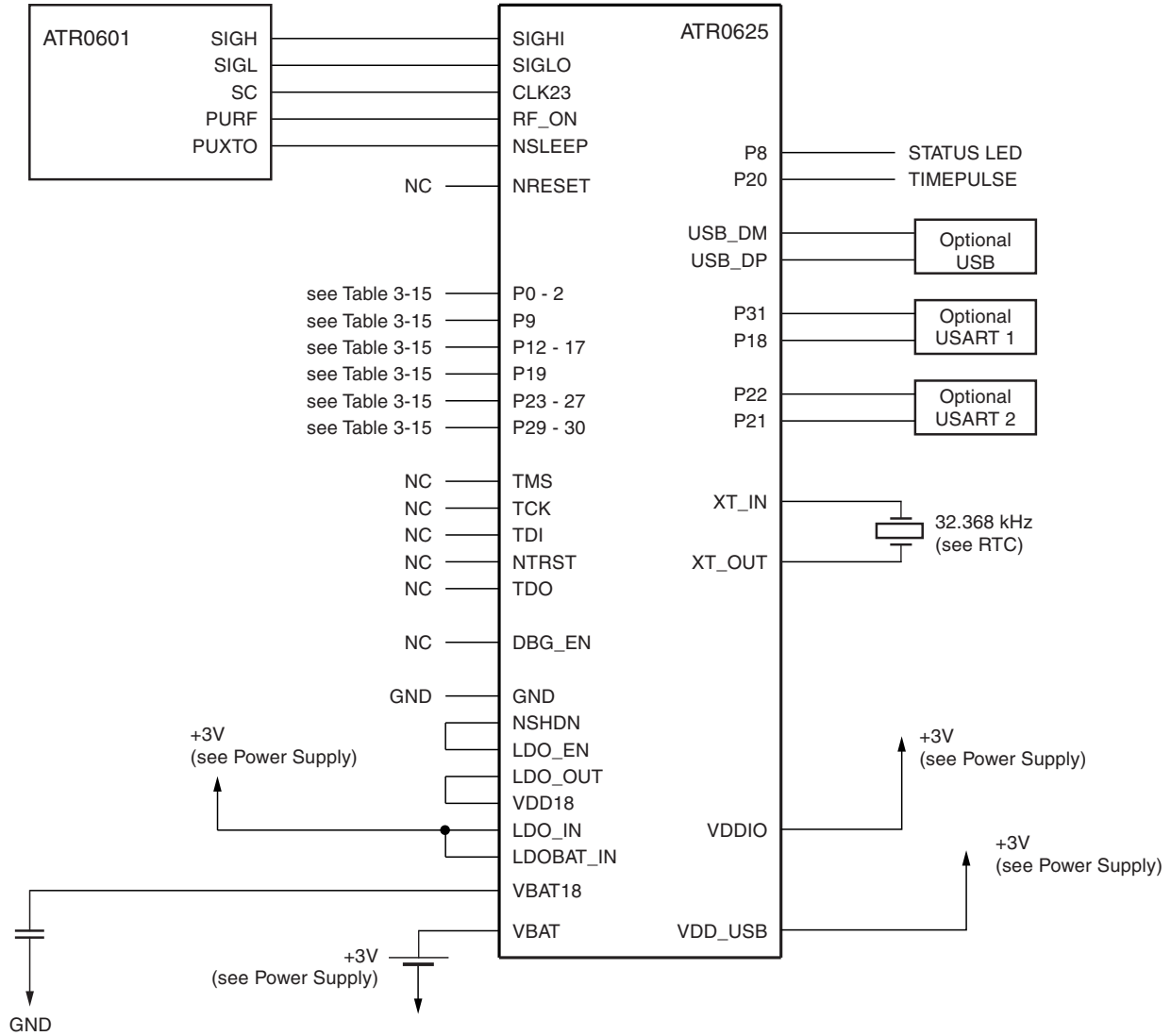
The Antenna Supervisor Software will be configured as follows:

1. Enable Control Signal
2. Enable Short Circuit Detection (power down antenna via ANTON if short is detected via NANTSHORT)
3. Enable Open Circuit Detection via NAADET

The antenna supervisor function may not be disabled by GPSMODE pin selection.

### 3.4 External Connections for a Working GPS System

Figure 3-2. Example of an External Connection



NC: Not connected

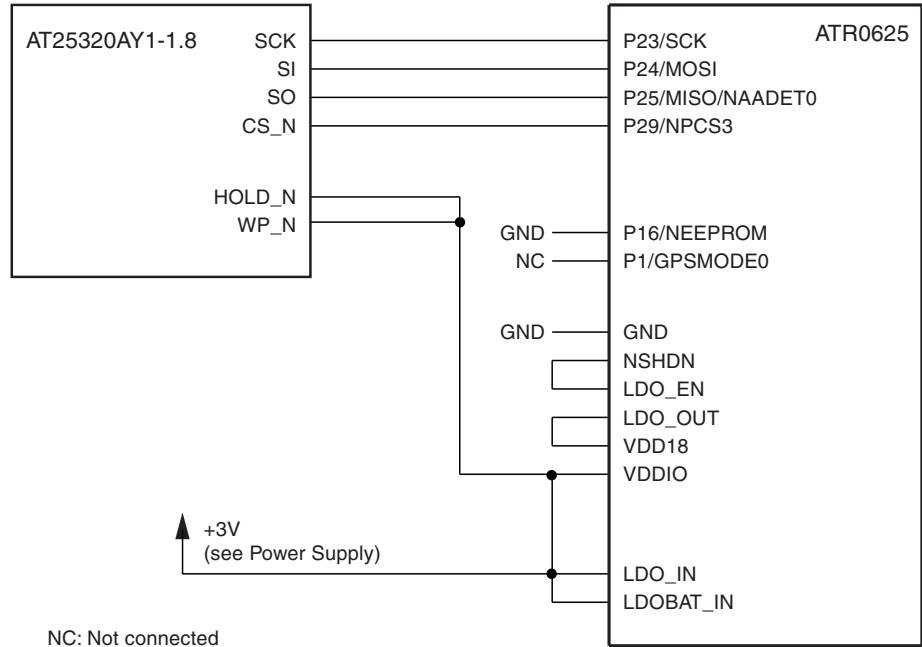
**Table 3-15.** Recommended Pin Connection

Pin Name	Recommended External Circuit
P0/NANTSHORT	Internal pull-down resistor, leave open if Antenna Supervision functionality is unused. Can be left open if configured as output by user application.
P1/GPSMODE0	Internal pull-down resistor, leave open, in order to disable the GPSMODE pin configuration feature. Connect to VDDIO to enable the GPSMODE pin configuration feature. Refer to GPSMODE definitions in section <a href="#">“Setting GPSMODE0 to GPSMODE12” on page 9</a> . Can be left open if configured as output by user application.
P2/BOOT_MODE	Internal pull-down resistor, leave open.
P8/STATUSLED	Output in default ROM firmware: leave open, only needs pull-up resistor to VDDIO or pull-down resistor to GND if used as GPIO input by user application and is not always driven from external sources.
P9/EXTINT0	Internal pull-up resistor, leave open if unused.
P12/GPSMODE2/NPCS2	Internal pull-up resistor, can be left open if the GPSMODE feature is not used or configured as output by user application. Refer to GPSMODE definitions in section <a href="#">“Setting GPSMODE0 to GPSMODE12” on page 9</a> .
P13/GPSMODE3/EXTINT1	Internal pull-up resistor, can be left open if the GPSMODE feature is not used or configured as output by user application. Refer to GPSMODE definitions in section <a href="#">“Setting GPSMODE0 to GPSMODE12” on page 9</a> .
P14/NAADET1	Internal pull-down resistor, leave open if Antenna Supervision functionality is unused. Can be left open if configured as output by user application.
P15/ANTON	Internal pull-down resistor, leave open if Antenna Supervision functionality is unused. Can be left open if configured as output by user application.
P16/NEEPROM	Internal pull-up resistor, leave open if no serial EEPROM is connected. Otherwise connect to GND.
P17/GPSMODE5/SCK1	Internal pull-down resistor, can be left open if the GPSMODE feature is not used or configured as output by user application. Refer to GPSMODE definitions in section <a href="#">“Setting GPSMODE0 to GPSMODE12” on page 9</a> .
P18/TXD1	Output in default ROM firmware: leave open if serial interface is not used.
P19/GPSMODE6/SIGLO1	Internal pull-up resistor, can be left open if the GPSMODE feature is not used or configured as output by user application. Refer to GPSMODE definitions in section <a href="#">“Setting GPSMODE0 to GPSMODE12” on page 9</a> .
P20/TIMEPULSE/SCK2	Output in default ROM firmware: leave open if timepulse feature is not used.
P21/TXD2	Output in default ROM firmware: leave open if serial interface not used.
P22/RXD2	Internal pull-up resistor, leave open if serial interface is not used.
P23/GPSMODE7/SCK	Internal pull-up resistor, can be left open if the GPSMODE feature is not used or configured as output by user application. Refer to GPSMODE definitions in section <a href="#">“Setting GPSMODE0 to GPSMODE12” on page 9</a> .
P24/GPSMODE8/MOSI	Internal pull-up resistor, can be left open if the GPSMODE feature is not used or configured as output by user application. Refer to GPSMODE definitions in section <a href="#">“Setting GPSMODE0 to GPSMODE12” on page 9</a> .
P25/NAADET0/MISO	Internal pull-down resistor, leave open if Antenna Supervision functionality is unused. Can be left open if configured as output by user application.
P26/GPSMODE10/NSS/NPCS0	Internal pull-up resistor, can be left open if the GPSMODE feature is not used or configured as output by user application. Refer to GPSMODE definitions in section <a href="#">“Setting GPSMODE0 to GPSMODE12” on page 9</a> .
P27/GPSMODE11/NPCS1	Internal pull-up resistor, can be left open if the GPSMODE feature is not used or configured as output by user application. Refer to GPSMODE definitions in section <a href="#">“Setting GPSMODE0 to GPSMODE12” on page 9</a> .
P29/GPSMODE12/NPCS3	Internal pull-up resistor, can be left open if the GPSMODE feature is not used or configured as output by user application. Refer to GPSMODE definitions in section <a href="#">“Setting GPSMODE0 to GPSMODE12” on page 9</a> .
P30/AGCOUT0	Internal pull-down resistor, leave open.
P31/RXD1	Internal pull-up resistor, leave open if serial interface is not used.

### 3.4.1 Connecting an Optional Serial EEPROM

The ATR0625 offers the possibility to connect an external serial EEPROM. The internal ROM firmware supports to store the configuration of the ATR0625 in serial EEPROM. The pin P16/NEEPROM signals the firmware that a serial EEPROM is connected with the ATR0625. The 32-bit RISC processor of the ATR0625 accesses the external memory with SPI (Serial Peripheral Interface). Atmel recommend to use 32 Kbit 1.8V serial EEPROM, e.g. the Atmel AT25320AY1-1.8. [Figure 3-3](#) shows an example of the serial EEPROM connection.

**Figure 3-3.** Example of a Serial EEPROM Connection



**Note:** The GPSMODE pin configuration feature can be disabled, because the configuration can be stored in the serial EEPROM. VDDIO is the supply voltage for the pins: P23, P24, P25 and P29.



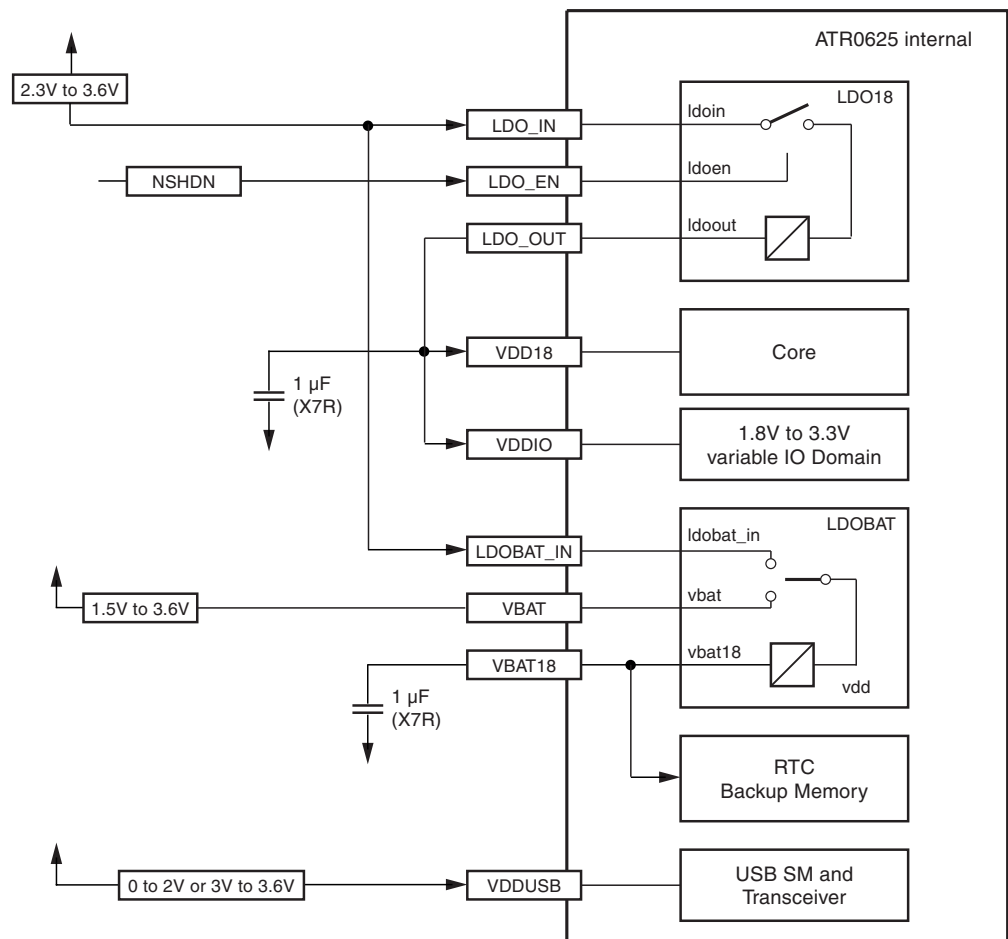
## 4. Power Supply

The baseband IC is supplied with four distinct supply voltages:

- VDD18, the nominal 1.8V supply voltage for the core, the RF-I/O pins, the memory interface and the test pins and all GPIO-pins not mentioned in next item.
- VDDIO, the variable supply voltage within 1.8V to 3.6V for following GPIO-pins: P1, P2, P8, P12, P14, P16, P17, P18, P19, P20, P21, P23, P24, P25, P26, P27 and P29 In input mode, these pins are 5V input tolerant.
- VDD\_USB, the power supply of the USB pins: USB\_DM and USB\_DP.
- VBAT18 to supply the backup domain: RTC, backup SRAM and the pins NSLEEP, NSHDN, LDO\_EN, VBAT18, P9/EXTIN0, P13/EXTINT1, P22/RXD2 and P31/RXD1 and the 32kHz oscillator. In input mode, the four GPIO-pins are 5V input tolerant.

Figure 4-1, Figure 4-2, and Figure 4-3 show examples of the wiring of ATR0625 power supply.

**Figure 4-1.** External Wiring Example Using Internal LDOs and Backup Power Supply



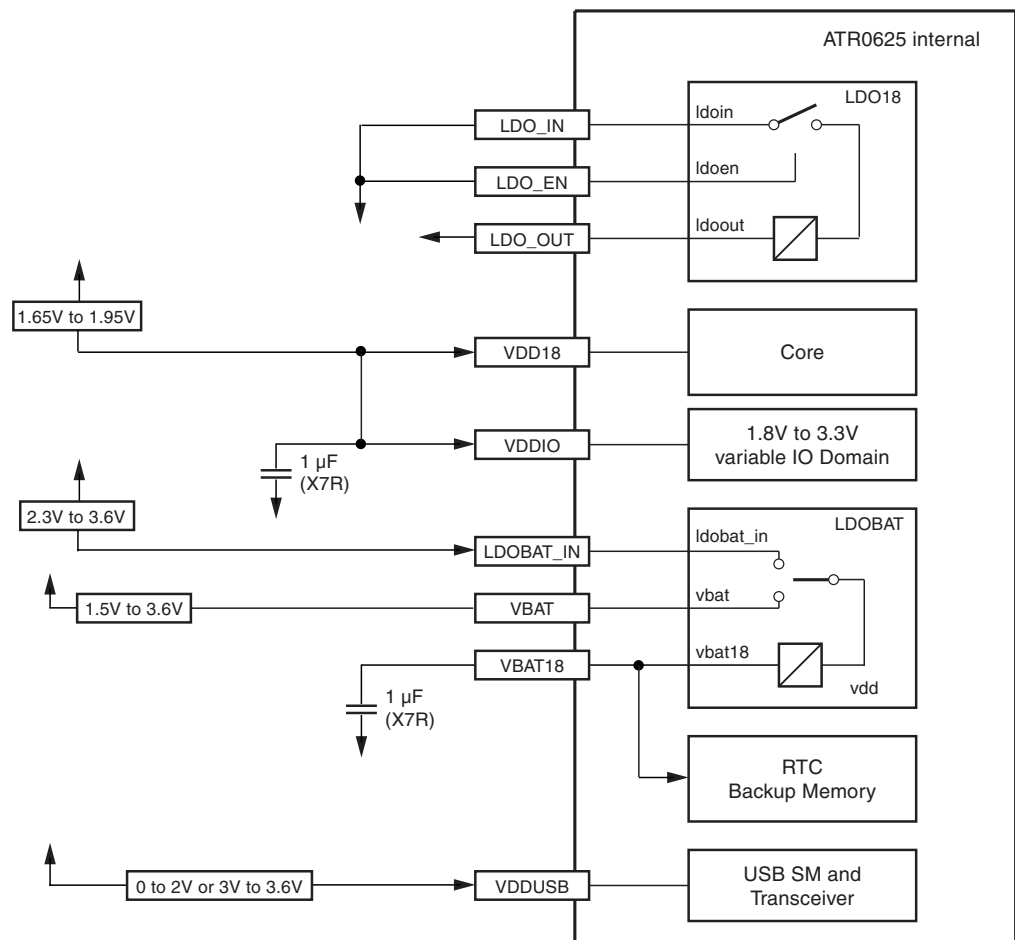
The baseband IC contains a built in low dropout voltage regulator LDO18. This regulator can be used if the host system does not provide the core voltage VDD18 of 1.8V nominal. In such case, LDO18 will provide a 1.8V supply voltage from any input voltage VDD between 2.3V and 3.6V. The LDO\_EN input can be used to shut down VDD18 if the system is in standby mode.

If the host system does however supply a 1.8V core voltage directly, this voltage has to be connected to the VDD18 supply pins of the baseband IC. LDO\_EN must be connected to GND. LDO\_IN can be connected to GND. LDO\_OUT must not be connected.

A second built in low dropout voltage regulator LDOBAT provides the supply voltage for the RTC and backup SRAM from any input voltage LDOBAT\_IN between 2.3V and 3.6V or from VBAT between 1.5V and 3.6V. The backup battery connected to VBAT is only discharged if the supply connected to LDOBAT\_IN is shut-down.

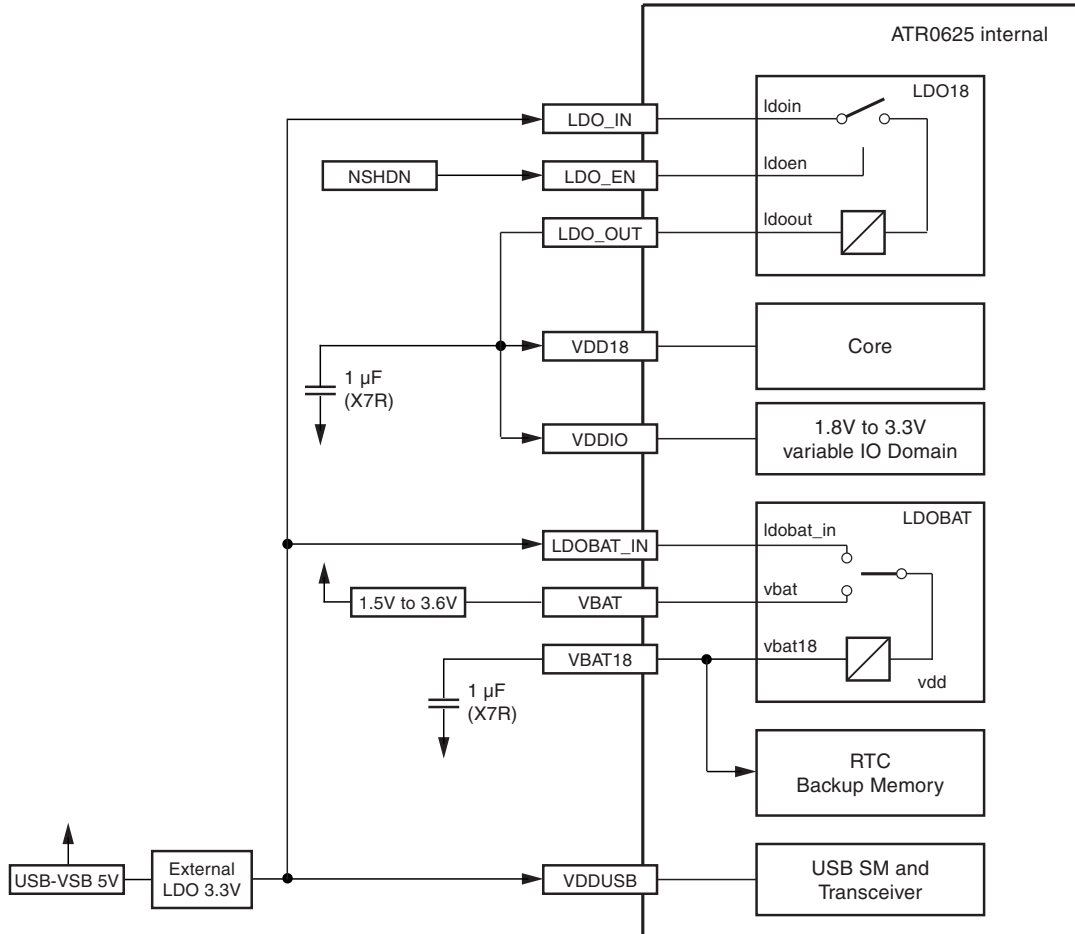
Only after VDD18 has been supplied to ATR0625 the RTC section will be initialized properly. If only VBAT is applied first, the current consumption of the RTC and backup SRAM is undetermined.

**Figure 4-2.** External Wiring Example Using 1.8V from Host System and Backup Power Supply



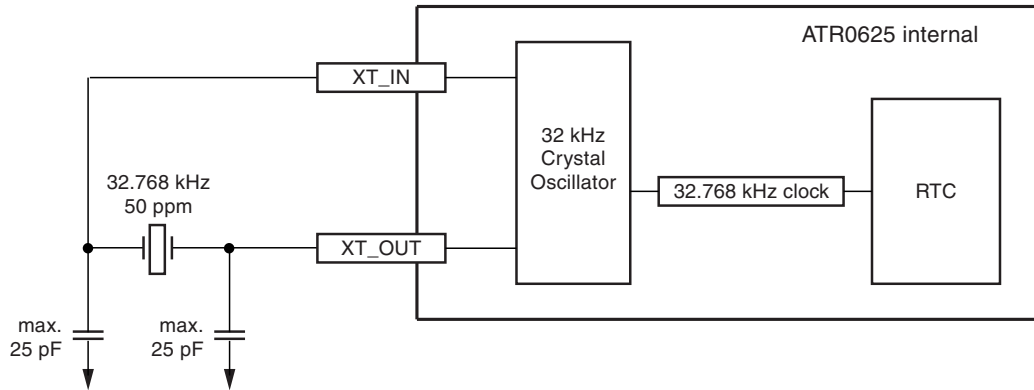
The USB Transceiver is disabled if VDD\_USB < 2.0V. In this case the pins USB\_DM and USB\_DP are connected to GND (internal pull-down resistors). The USB Transceiver is enabled if VDD\_USB within 3.0V and 3.6V.

**Figure 4-3.** External Wiring Example Using Internal LDOs, USB Supply Voltage and Backup Power Supply



## 5. Oscillator

Figure 5-1. Crystal Connection



## 6. Absolute Maximum Ratings

Stresses beyond those listed under “Absolute Maximum Ratings” may cause permanent damage to the device. This is a stress rating only and functional operation of the device at these or any other conditions beyond those indicated in the operational sections of this specification is not implied. Exposure to absolute maximum rating conditions for extended periods may affect device reliability.

Parameters	Pin	Symbol	Min.	Max.	Unit
Operating Free Air Temperature Range			-40	+85	°C
Storage Temperature			-60	+150	°C
DC Supply Voltage	VDD18		-0.3	+1.95	V
DC Supply Voltage	VDDIO		-0.3	+3.6	V
DC Supply Voltage	VDD_USB		-0.3	+3.6	V
DC Supply Voltage	LDO_IN		-0.3	+3.6	V
DC Supply Voltage	LDOBAT_IN		-0.3	+3.6	V
DC Supply Voltage	VBAT		-0.3	+3.6	V
DC Input Voltage	P0, P15, P30, SIGHI, SIGLO, CLK23, XT_IN, TMS, TCK, TDI, NTRST, DBG_EN, LDO_EN, NRESET		-0.3	+1.95	V
DC Input Voltage	USB_DM, USB_DP		-0.3	+3.6	V
DC Input Voltage	P1, P2, P8, P9, P12 to P14, P16 to P27, P29, P31		-0.3	+5.0	V

Note: Minimum/maximum limits are at +25°C ambient temperature, unless otherwise specified

## 7. Electrical Characteristics

If no additional information is given in column Test Conditions, the values apply to a temperature range from –40°C to +85°C.

No.	Parameters	Test Conditions	Pin	Symbol	Min.	Typ.	Max.	Unit
1.1	DC Supply Voltage Core		VDD18	VDD18	1.65	1.8	1.95	V
1.2	DC Supply Voltage VDDIO Domain <sup>(1)</sup>		VDDIO	VDDIO	1.65	1.8/3.3	3.6	V
1.3	DC Supply Voltage USB <sup>(2)</sup>		VDD_USB	VDDUSB	3.0	3.3	3.6	V
1.4	DC Supply Voltage Backup Domain <sup>(3)</sup>		VBAT18	VBAT18	1.65	1.8	3.6	V
1.5	DC Output Voltage VDD18			$V_{O,18}$	0		VDD18	V
1.6	DC Output Voltage VDDIO			$V_{O,IO}$	0		VDDIO	V
1.7	Low-level Input Voltage VDD18 Domain	VDD18 = 1.65V to 1.95V		$V_{IL,18}$	–0.3		$0.3 \times$ VDD18	V
1.8	High-level Input Voltage VDD18 Domain	VDD18 = 1.65V to 1.95V		$V_{IH,18}$	$0.7 \times$ VDD18		VDD18 + 0.3	V
1.9	Low-level Input Voltage VDDIO Domain	VDDIO = 1.65V to 3.6V		$V_{IL,IO}$	–0.3		+0.41	V
1.10	High-level Input Voltage VDDIO Domain	VDDIO = 1.65V to 3.6V		$V_{IH,IO}$	1.46		5.0	V
1.11	Low-level Input Voltage VBAT18 Domain	VBAT18 = 1.65V to 1.95V	P9, P13, P22, P31	$V_{IL,BAT}$	–0.3		+0.41	V
1.12	High-level Input Voltage VBAT18 Domain	VBAT18 = 1.65V to 1.95V	P9, P13, P22, P31	$V_{IH,BAT}$	1.46		5.0	V
1.13	Low-level Input Voltage USB	VDD_USB = 3.0V to 3.6V	DP, DM	$V_{IL,USB}$	–0.3		+0.8	V
1.14	High-level Input Voltage USB	VDD_USB = 3.0V to 3.6V	DP, DM	$V_{IH,USB}$	2.0		4.6	V
1.15	Low-level Output Voltage VDD18 Domain	$I_{OL} = 1.5$ mA, VDD18 = 1.65V		$V_{OL,18}$			0.4	V
1.16	High-level Output Voltage VDD18 Domain	$I_{OH} = -1.5$ mA, VDD18 = 1.65V		$V_{OH,18}$	VDD18– 0.45			V
1.17	Low-level Output Voltage VDDIO Domain	$I_{OL} = 1.5$ mA, VDDIO = 3.0V		$V_{OL,IO}$			0.4	V
1.18	High-level Output Voltage VDDIO Domain	$I_{OH} = -1.5$ mA, VDDIO = 3.0V		$V_{OH,IO}$	VDDIO– 0.5			V
1.19	Low-level Output Voltage VBAT18 Domain	$I_{OL} = 1$ mA	P9, P13, P22, P31	$V_{OL,BAT}$			0.4	V
1.20	High-level Output Voltage VBAT18 Domain	$I_{OH} = -1$ mA	P9, P13, P22, P31	$V_{OH,BAT}$	1.2			V
1.21	Low-level Output Voltage USB	$I_{OL} = 1.5$ mA, VDD_USB = 3.0V to 3.6V, 27Ω external series resistor	DP, DM	$V_{OL,USB}$			0.4	V
1.22	High-level Output Voltage USB	$I_{OH} = -1.5$ mA, VDD_USB = 3.0V to 3.6V, 27Ω external series resistor	DP, DM	$V_{OH,USB}$	2.7			V

- Notes:
- VDDIO is the supply voltage for the following GPIO pins: P1, P2, P8, P12, P14, P16, P17, P18, P19, P20, P21, P23, P24, P25, P26, P27 and P29
  - Values defined for operating the USB interface. Otherwise VDD\_USB may be connected to ground
  - Supply voltage VBAT18 for backup domain is generated internally by the LDOBAT



## 7. Electrical Characteristics (Continued)

If no additional information is given in column Test Conditions, the values apply to a temperature range from  $-40^{\circ}\text{C}$  to  $+85^{\circ}\text{C}$ .

No.	Parameters	Test Conditions	Pin	Symbol	Min.	Typ.	Max.	Unit
1.23	Input-leakage Current (standard Inputs and I/Os)	VDD18 = 1.95V $V_{IL} = 0V$		$I_{LEAK}$	-1		+1	$\mu\text{A}$
1.24	Input Capacitance			$I_{CAP}$			10	pF
1.25	Input Pull-up Resistor		NRESET	$R_{PU}$	0.7		1.6	$k\Omega$
1.26	Input Pull-up Resistor		TCK, TDI, TMS	$R_{PU}$	10		30	$k\Omega$
1.27	Input Pull-up Resistor		P9, P13, P22, P31	$R_{PU}$	100		220	$k\Omega$
1.28	Input Pull-down Resistor		DBG_EN, NTRST,	$R_{PD}$	10		30	$k\Omega$
1.29	Input Pull-down Resistor		RF_ON, P0, P15, P30	$R_{PD}$	100		220	$k\Omega$
1.30	Configurable Input Pull-up Resistor		P1, P2, P8, P12, P14, P[16-21], P[23-27], P29	$R_{CPU}$	62		330	$k\Omega$
1.31	Configurable Input Pull-down Resistor		P1, P2, P8, P12, P14, P[16-21], P[23-27], P29	$R_{CPD}$	45		160	$k\Omega$
1.32	Configurable Input Pull-up Resistor (Idle state)		USB_DP	$R_{CPU}$	0.9		1.575	$k\Omega$
1.33	Configurable Input Pull-up Resistor (Operation state)		USB_DP	$R_{CPU}$	1.425		3.09	$k\Omega$
1.34	Input Pull-down Resistor		USB_DP USB_DM	$R_{PD}$	10		500	$k\Omega$

- Notes:
1. VDDIO is the supply voltage for the following GPIO pins: P1, P2, P8, P12, P14, P16, P17, P18, P19, P20, P21, P23, P24, P25, P26, P27 and P29
  2. Values defined for operating the USB interface. Otherwise VDD\_USB may be connected to ground
  3. Supply voltage VBAT18 for backup domain is generated internally by the LDOBAT

**8. Power Consumption**

Mode	Conditions	Typ.	Unit
Sleep	At 1.8V, no CLK23	0.065 <sup>(1)</sup>	mA
Shutdown	RTC, backup SRAM and LDOBAT	0.007 <sup>(1)</sup>	
Normal	Satellite acquisition	25	
	Normal tracking on 6 channels with 1 fix/s; each additional active tracking channel adds 0.5 mA	14	
	All channels disabled	11	

Note: 1. Specified value only

**9. ESD Sensitivity**

The ATR0625 is an ESD sensitive device. The current ESD values are to be defined.

Observe precautions for handling

**10. LDO18**

The LDO18 is a built in low dropout voltage regulator which can be used if the host system does not provide the core voltage VDD18.

**Table 10-1.** Electrical Characteristics of LDO18

Parameter	Conditions	Min.	Typ.	Max.	Unit
Supply voltage LDO_IN		2.3		3.6	V
Output Voltage (LDO_OUT)		1.65	1.8	1.95	V
Output Current (LDO_OUT)				80	mA
Current consumption	After startup, no load, at room temperature			80	µA
Current consumption	Standby Mode (LDO_EN = 0), at room temperature		1	5	µA

## 11. LDOBAT and Backup Domain

The LDOBAT is a built in low dropout voltage regulator which provides the supply voltage VBAT18 for the RTC, backup SRAM, P9, P13, P22, P31, NSLEEP and NSHDN. The LDOBAT voltage regulator switches in battery mode if LDOBAT\_IN falls below 1.5V.

**Table 11-1.** Electrical Characteristics of LDOBAT

Parameter	Conditions	Min.	Typ.	Max.	Unit
Supply voltage LDOBAT_IN		2.3		3.6	V
Supply voltage VBAT		1.5		3.6	V
Output Voltage (VBAT18)	If switch connects to LDOBAT_IN.	1.65	1.8	1.95	V
Output Current (VBAT18)				1.5	mA
Current consumption LDOBAT_IN <sup>(1)</sup>	After startup (sleep/backup mode), at room temperature			15	μA
Current consumption VBAT <sup>(1)</sup>	After startup (backup mode and LDOBAT_IN = 0V), at room temperature			10	μA
Current consumption	After startup (normal mode), at room temperature			1.5	mA

Note: 1. If no current is caused by outputs (pad output current as well as current across internal pull-up resistors)



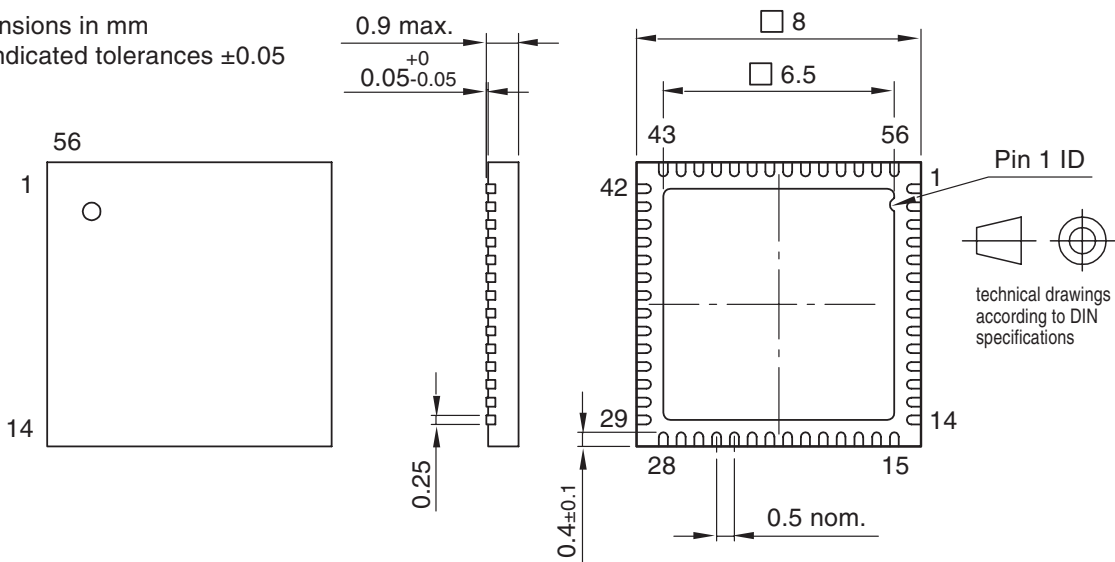
**12. Ordering Information**

Extended Type Number	Package	MPQ	Remarks
ATR0625-PYQW	QFN56	2000	8 mm × 8 mm, 0.50 mm pitch, Pb-free, RoHS-compliant, green
ATR0625-EK1	-	1	Evaluation kit/Road test kit
ATR0625-DK1	-	1	Development kit inclusive example design information

**13. Package QFN56**

Package: QFN56 8 x 8  
Exposed pad 6.5 x 6.5

Dimensions in mm  
Not indicated tolerances ±0.05



Drawing-No.: 6.543-5121.01-4  
Issue: 1; 02.09.05



## Atmel Corporation

2325 Orchard Parkway  
San Jose, CA 95131, USA  
Tel: 1(408) 441-0311  
Fax: 1(408) 487-2600

## Regional Headquarters

### Europe

Atmel Sarl  
Route des Arsenaux 41  
Case Postale 80  
CH-1705 Fribourg  
Switzerland  
Tel: (41) 26-426-5555  
Fax: (41) 26-426-5500

### Asia

Room 1219  
Chinachem Golden Plaza  
77 Mody Road Tsimshatsui  
East Kowloon  
Hong Kong  
Tel: (852) 2721-9778  
Fax: (852) 2722-1369

### Japan

9F, Tonetsu Shinkawa Bldg.  
1-24-8 Shinkawa  
Chuo-ku, Tokyo 104-0033  
Japan  
Tel: (81) 3-3523-3551  
Fax: (81) 3-3523-7581

## Atmel Operations

### Memory

2325 Orchard Parkway  
San Jose, CA 95131, USA  
Tel: 1(408) 441-0311  
Fax: 1(408) 436-4314

### Microcontrollers

2325 Orchard Parkway  
San Jose, CA 95131, USA  
Tel: 1(408) 441-0311  
Fax: 1(408) 436-4314

### La Chantreterie

BP 70602  
44306 Nantes Cedex 3, France  
Tel: (33) 2-40-18-18-18  
Fax: (33) 2-40-18-19-60

### ASIC/ASSP/Smart Cards

Zone Industrielle  
13106 Rousset Cedex, France  
Tel: (33) 4-42-53-60-00  
Fax: (33) 4-42-53-60-01

1150 East Cheyenne Mtn. Blvd.  
Colorado Springs, CO 80906, USA  
Tel: 1(719) 576-3300  
Fax: 1(719) 540-1759

### Scottish Enterprise Technology Park

Maxwell Building  
East Kilbride G75 0QR, Scotland  
Tel: (44) 1355-803-000  
Fax: (44) 1355-242-743

### RF/Automotive

Theresienstrasse 2  
Postfach 3535  
74025 Heilbronn, Germany  
Tel: (49) 71-31-67-0  
Fax: (49) 71-31-67-2340

1150 East Cheyenne Mtn. Blvd.  
Colorado Springs, CO 80906, USA  
Tel: 1(719) 576-3300  
Fax: 1(719) 540-1759

### Biometrics/Imaging/Hi-Rel MPU/

### High Speed Converters/RF Datacom

Avenue de Rochepleine  
BP 123  
38521 Saint-Egreve Cedex, France  
Tel: (33) 4-76-58-30-00  
Fax: (33) 4-76-58-34-80

---

## Literature Requests

[www.atmel.com/literature](http://www.atmel.com/literature)

**Disclaimer:** The information in this document is provided in connection with Atmel products. No license, express or implied, by estoppel or otherwise, to any intellectual property right is granted by this document or in connection with the sale of Atmel products. **EXCEPT AS SET FORTH IN ATMEL'S TERMS AND CONDITIONS OF SALE LOCATED ON ATMEL'S WEB SITE, ATMEL ASSUMES NO LIABILITY WHATSOEVER AND DISCLAIMS ANY EXPRESS, IMPLIED OR STATUTORY WARRANTY RELATING TO ITS PRODUCTS INCLUDING, BUT NOT LIMITED TO, THE IMPLIED WARRANTY OF MERCHANTABILITY, FITNESS FOR A PARTICULAR PURPOSE, OR NON-INFRINGEMENT. IN NO EVENT SHALL ATMEL BE LIABLE FOR ANY DIRECT, INDIRECT, CONSEQUENTIAL, PUNITIVE, SPECIAL OR INCIDENTAL DAMAGES (INCLUDING, WITHOUT LIMITATION, DAMAGES FOR LOSS OF PROFITS, BUSINESS INTERRUPTION, OR LOSS OF INFORMATION) ARISING OUT OF THE USE OR INABILITY TO USE THIS DOCUMENT, EVEN IF ATMEL HAS BEEN ADVISED OF THE POSSIBILITY OF SUCH DAMAGES.** Atmel makes no representations or warranties with respect to the accuracy or completeness of the contents of this document and reserves the right to make changes to specifications and product descriptions at any time without notice. Atmel does not make any commitment to update the information contained herein. Unless specifically provided otherwise, Atmel products are not suitable for, and shall not be used in, automotive applications. Atmel's products are not intended, authorized, or warranted for use as components in applications intended to support or sustain life.

© Atmel Corporation 2006. All rights reserved. Atmel®, logo and combinations thereof, Everywhere You Are® and others, are registered trademarks or trademarks of Atmel Corporation or its subsidiaries. ARM®, logo and others are the registered trademarks or trademarks of ARM Ltd. Other terms and product names may be trademarks of others.



Printed on recycled paper.

4925A-GPS-02/06