



256Kx16 MONOLITHIC SRAM, SMD 5962-96795

FEATURES

- 256Kx16 bit CMOS Static
- Random Access Memory
 - Access Times of 17, 20, 25, 35ns
 - Data Retention Function (LPA version)
 - TTL Compatible Inputs and Outputs
 - Fully Static, No Clocks
- 44 lead JEDEC Approved Revolutionary Pinout
 - Ceramic SOJ (Package 322)
 - Ceramic Flatpack (Package 323)
- Single +5V (±10%) Supply Operation

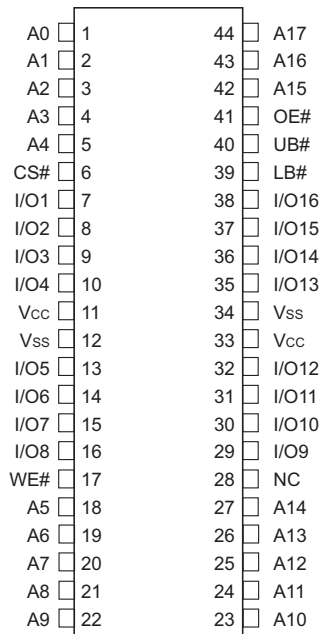
The EDI816256CA is a 4 megabit Monolithic CMOS Static RAM.

The EDI816256CA uses 16 common input and output lines and has an output enable pin which operates faster than address access time at read cycle. The device allows upper and lower byte access by use of the data byte control pins (LB#, UB#).

The devices are available in a fully hermetic 44 lead ceramic SOJ and a 44 lead Ceramic Flatpack. The Ceramic SOJ is pin for pin compatible with the commercially available plastic SOJ. This allows the user the luxury of designing a board that can be used for both the commercial and military market.

A Low Power version with Data Retention (EDI816256LPA) is also available for battery backed applications. Military product is available compliant to Appendix A of MIL-PRF-38535.

PIN CONFIGURATION TOP VIEW



PIN DESCRIPTION

A0-17	Address Inputs
LB# (I/O1-8)	Lower-Byte Control (I/O1-8)
UB# (I/O9-16)	Upper-Byte Control (I/O9-16)
I/O1-16	Data Input/Output
CS#	Chip Select
OE#	Output Enable
WE#	Write Enable
Vcc	+5.0V Power
Vss	Ground
NC	No Connection



ABSOLUTE MAXIMUM RATINGS

Parameter		Unit
Voltage on any pin relative to V _{SS}	-0.5 to 7.0	V
Operating Temperature T _A (Ambient)		
Commercial	0 to +70	°C
Industrial	-40 to +85	°C
Military	-55 to +125	°C
Storage Temperature, Plastic	-65 to +125	°C
Power Dissipation	1.5	W
Output Current	20	mA
Junction Temperature, T _J	175	°C

NOTE: Stresses above those listed under "Absolute Maximum Ratings" may cause permanent damage to the device. This is a stress rating only and functional operation of the device at these or any other conditions above those indicated in the operational sections of this specification is not implied. Exposure to absolute maximum rating conditions for extended periods may affect device reliability.

CAPACITANCE

T_A = +25°C

Parameter	Symbol	Condition	Max	Unit
Address Lines	CI	V _{IN} = V _{CC} or V _{SS} , f = 1.0MHz	12	pF
Data Lines	CD/Q	V _{IN} = V _{CC} or V _{SS} , f = 1.0MHz	14	pF

These parameters are sampled, not 100% tested.

TRUTH TABLE

CS#	WE#	OE#	LB#	UB#	Mode	Data I/O		Supply Current
						I/O ₁₋₈	I/O ₉₋₁₆	
H	X	X	X	X	Not Select	High Z	High Z	I _{CC2} , I _{CC3}
L	H	H	X	X	Output Disable			
L	X	X	H	H				
L	H	L	L	H	Read	Data Out	High Z	I _{CC1}
			H	L		High Z	Data Out	
			L	L		Data Out	Data Out	
L	L	X	L	H	Write	Data In	High Z	I _{CC1}
			H	L		High Z	Data In	
			L	L		Data In	Data In	

RECOMMENDED OPERATING CONDITIONS

Parameter	Sym	Min	Typ	Max	Units
Supply Voltage	V _{CC}	4.5	5.0	5.5	V
Supply Voltage	V _{SS}	0	0	0	V
Input High Voltage	V _{IH}	2.2	—	V _{CC} +0.5	V
Input Low Voltage	V _{IL}	-0.3	—	0.8	V

DC CHARACTERISTICS

V_{CC} = 5V, V_{SS} = 0V, -55°C ≤ T_A ≤ +125°C

Parameter	Symbol	Conditions	Min	Max	Units	
Input Leakage Current	I _{LI}	V _{IN} = 0V to V _{CC}		10	μA	
Output Leakage Current	I _{LO}	V _{I/O} = 0V to V _{CC}		10	μA	
Operating Power Supply Current	I _{CC1}	WE#, CS# = V _{IL} , I _{I/O} = 0mA, Min Cycle		300	mA	
Standby (TTL) Power Supply Current	I _{CC2}	CS# ≥ V _{IH} , V _{IN} ≤ V _{IL} , V _{IN} ≥ V _{IH}		60	mA	
Full Standby Power Supply Current	I _{CC3}	CS# ≥ V _{CC} -0.2V	CA	—	25	mA
		V _{IN} ≥ V _{CC} -0.2V or V _{IN} ≤ 0.2V	LPA	—	16	mA
Output Low Voltage	V _{OL}	I _{OL} = 6.0mA		0.4	V	
Output High Voltage	V _{OH}	I _{OH} = -4.0mA	2.4		V	

NOTE: DC test conditions: V_{IL} = 0.3V, V_{IH} = V_{CC} -0.3V

AC TEST CONDITIONS

Figure 1

Figure 2

Input Pulse Levels	V _{SS} to 3.0V
Input Rise and Fall Times	5ns
Input and Output Timing Levels	1.5V
Output Load	Figure 1

NOTE: For t_{EHQZ}, t_{GHQZ} and t_{WLQZ}, C_L = 5pF (Figure 2)



AC CHARACTERISTICS – READ CYCLE

V_{CC} = 5V, V_{SS} = 0V, -55°C ≤ T_A ≤ +125°C

Parameter	Symbol		17ns		20ns		25ns		35ns		Units
	JEDEC	Alt.	Min	Max	Min	Max	Min	Max	Min	Max	
Read Cycle Time	t _{AVAV}	t _{RC}	17		20		25		35		ns
Address Access Time	t _{AVQV}	t _{AA}		17		20		25		35	ns
Chip Enable Access Time	t _{ELQV}	t _{ACS}		17		20		25		35	ns
Chip Enable to Output in Low Z (1)	t _{ELQX}	t _{CLZ}	2		5		5		5		ns
Chip Disable to Output in High Z (1)	t _{EHQZ}	t _{CHZ}	0	7	0	7	0	8	0	10	ns
Output Hold from Address Change	t _{AVQX}	t _{OH}	0		0		0		0		ns
Output Enable to Output Valid	t _{GLQV}	t _{OE}		10		10		12		15	ns
Output Enable to Output in Low Z (1)	t _{GLQX}	t _{OLZ}	0		0		0		0		ns
Output Disable to Output in High Z(1)	t _{GHQZ}	t _{OHZ}	0	7	0	7	0	8	0	10	ns
LB#, UB# Access Time	t _{UBLQV} t _{LBLQV}	t _{BA}		10		10		12		15	ns
LB#, UB# Enable to Low Z Output	t _{UBLQX} t _{LBLQX}	t _{BLZ}	0	0		0		0		0	ns
LB#, UB# Disable to High Z Output	t _{UBHQZ} t _{LBHQZ}	t _{BHZ}	0	7	0	7	0	8	0	10	ns

NOTE:

1. This parameter is guaranteed by design but not tested.

AC CHARACTERISTICS – WRITE CYCLE

V_{CC} = 5V, V_{SS} = 0V, -55°C ≤ T_A ≤ +125°C

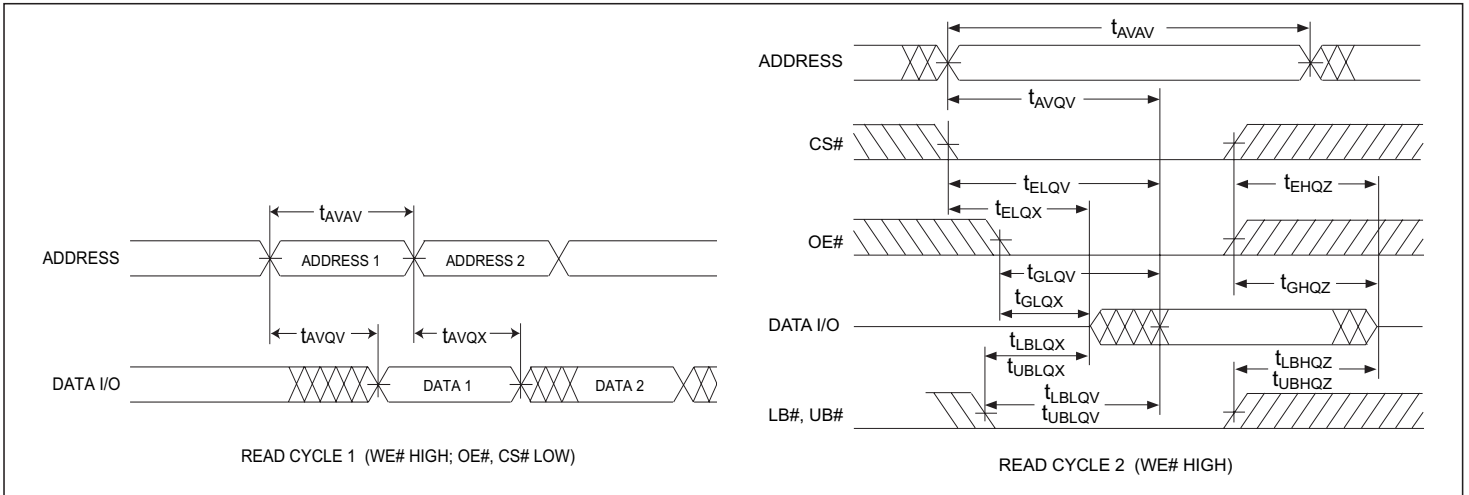
Parameter	Symbol		17ns		20ns		25ns		35ns		Units
	JEDEC	Alt.	Min	Max	Min	Max	Min	Max	Min	Max	
Write Cycle Time	t _{AVAV}	t _{WC}	17		20		25		35		ns
Chip Enable to End of Write	t _{ELWH} t _{ELEH}	t _{CW}	14		15		17		20		ns
Address Setup Time	t _{AVWL} t _{AVEL} t _{AVUBL}	t _{AS}	0		0		0		0		ns
Address Valid to End of Write	t _{AVWH} t _{AVEH} t _{AVUBH}	t _{AW}	14		15		17		20		ns
Write Pulse Width	t _{WLWH} t _{WLEH}	t _{WP}	14		14		15		17		ns
Write Recovery Time	t _{WHAX} t _{EHAX}	t _{WR}	0		0		0		0		ns
Data Hold Time	t _{WHDX} t _{EHDX}	t _{DH}	0		0		0		0		ns
Write to Output in High Z (1)	t _{WLQZ}	t _{WHZ}	0	8	0	8	0	8	0	10	ns
Data to Write Time	t _{DVWH} t _{DVEH}	t _{DW}	10		10		12		15		ns
Output Active from End of Write (1)	t _{WHQX}	t _{WLZ}	0		0		0		0		ns
LB, UB Valid to End of Write	t _{LBLLBH} t _{UBLUBH}	t _{BW}	14		16		18		20		ns

NOTE:

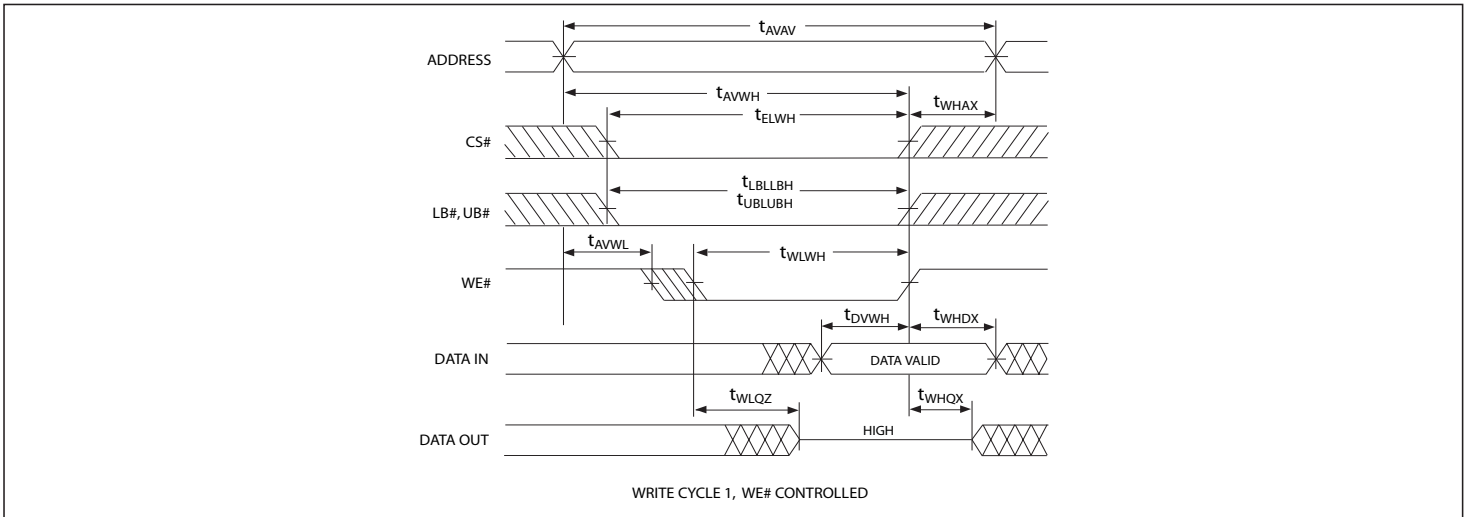
1. This parameter is guaranteed by design but not tested.



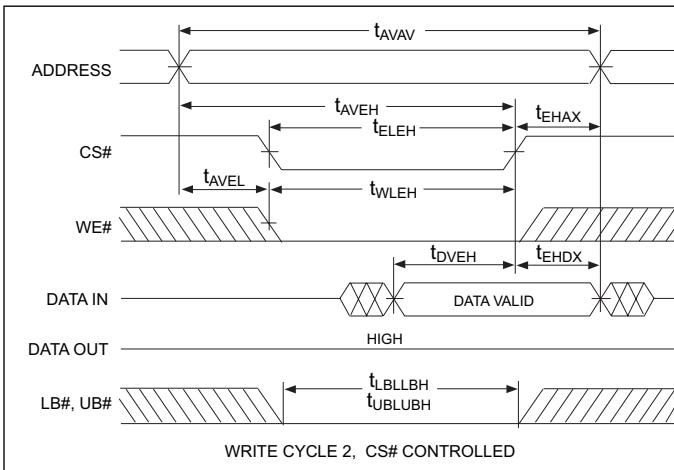
TIMING WAVEFORM – READ CYCLE



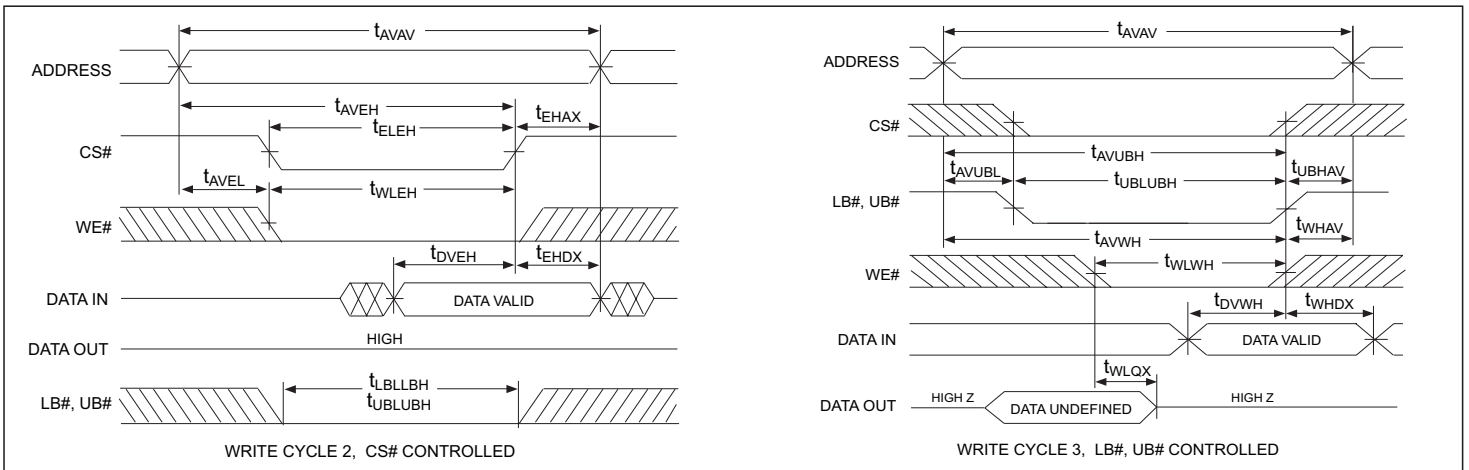
WRITE CYCLE – WE# CONTROLLED



WRITE CYCLE - CS# CONTROLLED



WRITE CYCLE - LB#, UB# CONTROLLED





DATA RETENTION CHARACTERISTICS (EDI816256LPA ONLY)

-55°C ≤ TA ≤ +125°C

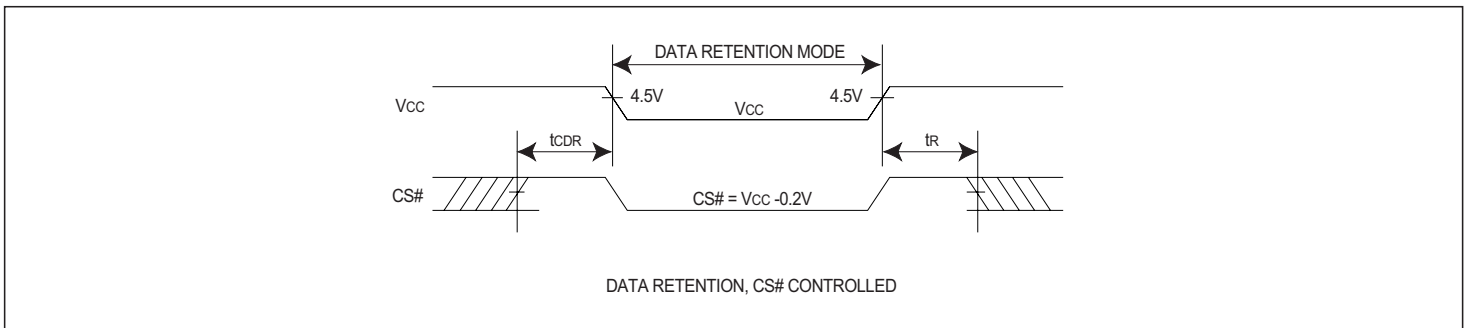
Characteristic Low Power Version only	Sym	Conditions	Min	Typ	Max	Units
Data Retention Voltage	V _{CC}	V _{CC} = 2.0V	2	-	-	V
Data Retention Quiescent Current	I _{CCDR}	CS# ≥ V _{CC} - 0.2V	-	-	2.2	mA
Chip Disable to Data Retention Time (1)	T _{CDR}	V _{IN} ≥ V _{CC} - 0.2V	0	-	-	ns
Operation Recovery Time (1)	T _R	or V _{IN} ≤ 0.2V	T _{AVAV}	-	-	ns

NOTE:

1. This parameter is guaranteed by design but not tested.

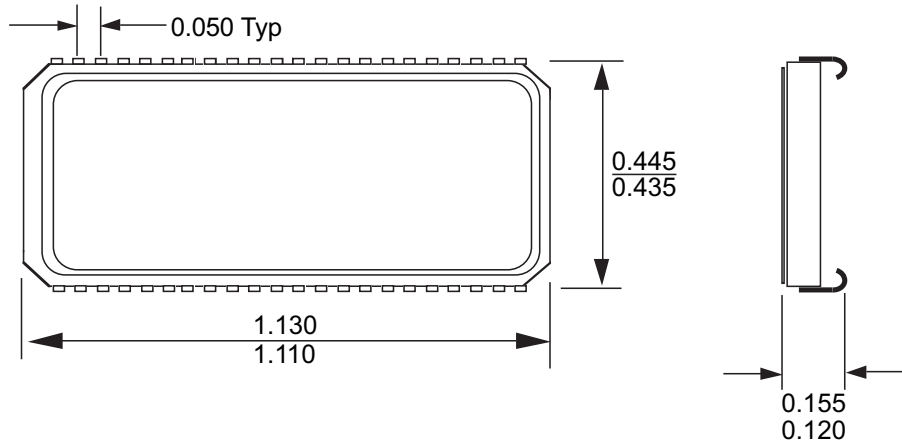
* Read Cycle Time

DATA RETENTION – CS# CONTROLLED



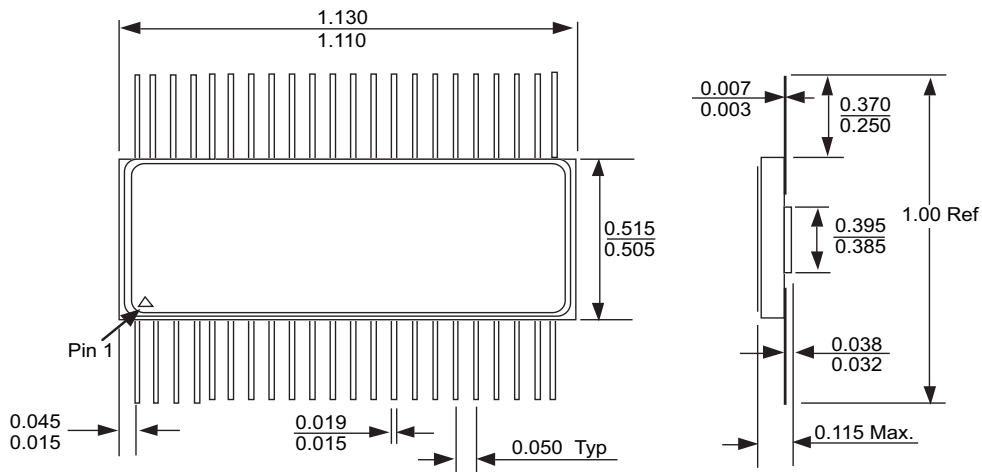


PACKAGE 322: 44 LEAD, CERAMIC SOJ



DIMENSIONS ARE IN INCHES

PACKAGE 323: 44 PIN, CERAMIC FLATPACK



DIMENSIONS ARE IN INCHES



ORDERING INFORMATION

