

8Kx8 Static RAM CMOS, High Speed Monolithic

ADVANCE INFORMATION

The EDI8808CB is a 65,536bit, high speed CMOS Static RAM organized as 8Kx8.

All inputs and outputs are TTL compatible and allow for direct interfacing with common system bus architecture while operating from a single 5V supply.

Military product compliant to MIL-STD-883, paragraph 1.2.1 is available.

Features

64K bit CMOS Static Random Access Memory

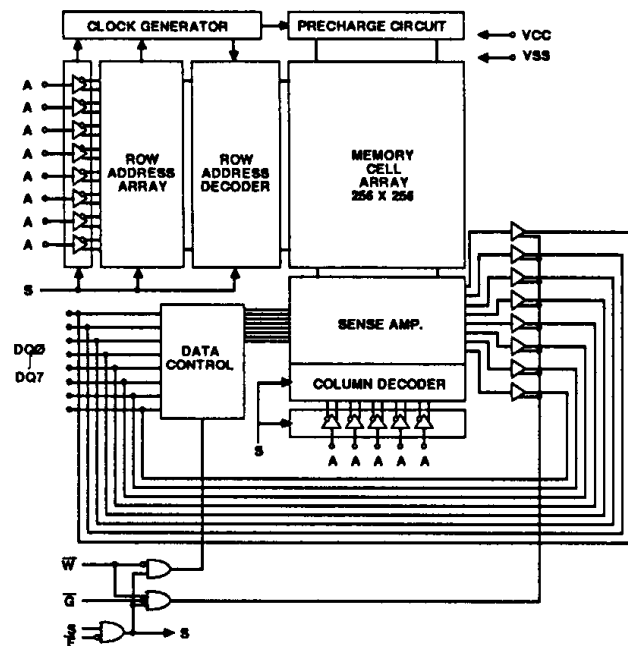
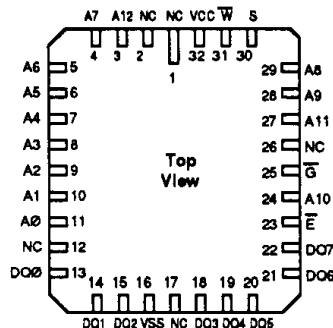
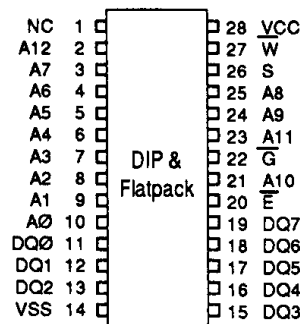
- Access Times 20, 25, 35, and 45ns
- Inputs and Outputs Directly TTL Compatible

Jedec Approved Pinouts

- 28 Pin Ceramic Dual-in-line Packages
CERDIP 600 mils Wide, No. 70
Sidebraced, 300 mils Wide, No. 2
- 32 Pin Ceramic LCC, No. 12
- 28 Lead Flatpack, No. 79

Single +5V ($\pm 10\%$) Supply Operation

Pin Configurations and Block Diagram



Pin Names

| | |
|---------|-------------------------|
| A0-A12 | Address Inputs |
| E | Chip Enable |
| S | Chip Select |
| W | Write Enable |
| G | Output Enable |
| DQ0-DQ7 | Data Input/Output |
| VCC | Power (+5V $\pm 10\%$) |
| VSS | Ground |
| NC | No Connection |