

SPECIFICATION FOR APPROVAL

| | | | |
|---------------------|-----------------|--------|---|
| Product Name | Linear Adaptors | Page | 1 |
| Superworld Part No: | WS Series | Rev No | A |

Features

- 1.Ergonomic Design
- 2.Region Specific Modeles
- 3.High Qquality Control
- 4.AC/AC , AC/DC unregulated models
- 5.Type Wall - Mount
- 6.Electrical Characteristics : AT 25 deg
- 7.Operation Temperature : 0 deg ~ 40 deg
- 8.Storage Temperature : - 40 deg ~ 80 deg
- 9.Power AC~AC 0.15VA to 1.8VA
AC~DC 0.15VA to 1.5VA



Safetys

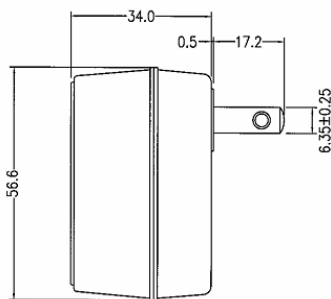
- 1.Regions: Japan - PSE,USA - UL/CUL
- 2.Standards:UL1310,CSA22.2,

Applications

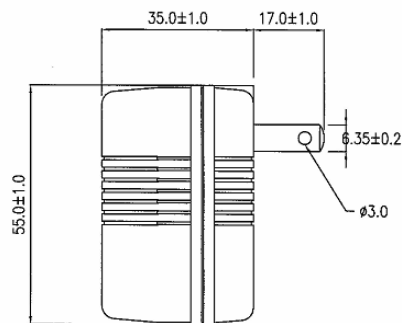
- 1.Low Energy AC/DC Power Supply .
- 2.IT Equipment .
- 3.Chargers .

| Input (Region Specific) | |
|---------------------------------|------------------|
| America | 120VAC / 60Hz |
| Japan | 100VAC / 50/60Hz |

Dimensions for reference :



IP-A



IP-A



SUPERWORLD ELECTRONICS (S) PTE LTD

SPECIFICATION FOR APPROVAL

| | | | |
|---------------------|-----------------|--------|---|
| Product Name | Linear Adaptors | Page | 2 |
| Superworld Part No: | WS Series | Rev No | A |

Electrical Characteristics :

| MODEL | OUTPUT | | | SAFETY APPROVAL | |
|----------|-------------|--------------|------------|-----------------|---------|
| | VOLTAGE (V) | CURRENT (mA) | POWER (VA) | AC | DC |
| WS030050 | 3.0 | 50 | 0.150 | 4 A | 4 |
| WS030100 | | 100 | 0.300 | 4 A B | 4 |
| WS030200 | | 200 | 0.600 | 4 A B C | 4 |
| WS030300 | | 300 | 0.900 | 4 | 4 |
| WS030400 | | 400 | 1.200 | 4 | 4 |
| WS030500 | | 500 | 1.500 | 4 | 4 |
| WS045050 | | 4.5 | 50 | 0.225 | 4 A |
| WS045100 | 100 | | 0.450 | 4 A | 4 |
| WS045120 | 120 | | 0.540 | A 4 | 4 |
| WS045200 | 200 | | 0.900 | 4 | 4 |
| WS045300 | 300 | | 1.350 | 4 | 4 |
| WS045400 | 400 | | 1.800 | 4 | 4 |
| WS060050 | 6.0 | | 50 | 0.300 | 4 A |
| WS060100 | | 100 | 0.600 | A 4 | 4 |
| WS060200 | | 200 | 1.200 | 4 A | 4 |
| WS060300 | | 300 | 1.800 | 4 | 4 |
| WS075100 | 7.5 | 100 | 0.750 | 4 A B | 4 |
| WS075200 | | 200 | 1.500 | 4 | 4 |
| WS085060 | 8.5 | 60 | 0.510 | 4 A | 4 |
| WS090050 | 9.0 | 50 | 0.450 | 4 A | 4 |
| WS090075 | | 75 | 0.675 | 4 A | 4 |
| WS090100 | | 100 | 0.900 | A B C 4 | A B 4 |
| WS090150 | | 150 | 1.350 | A C 4 | A B C 4 |
| WS120050 | | 12.0 | 50 | 0.600 | 4 A |
| WS140050 | 14.0 | 50 | 0.700 | 4 A | 4 |

UL : A CSA : B CUL : C CE : 4



SUPERWORLD ELECTRONICS (S) PTE LTD