

## KVR266X72RC25L/1G

### 1024MB 128M x 72-Bit DDR266

### CL2.5 Registered 184-Pin ECC DIMM

#### DESCRIPTION:

This document describes ValueRAM's 128M x 72-bit (1024MB) CL2.5 SDRAM (Synchronous DRAM) Registered low profile DDR266 ECC memory module. The components on this module include eighteen stacked 128M x 4-bit, 133MHz, 7.5ns, CL2.5 SDRAM and three 16-bit drivers in TSSOP packages. This 184-pin DIMM uses gold contact fingers and requires +2.5V. The electrical and mechanical specifications are as follows:

#### FEATURES:

- ✓ Clock Cycle Time (tCK) 7.5ns (min.) / 12ns (max.)
- ✓ Row Cycle Time (tRC) 65ns (min.)
- ✓ Refresh Row Cycle Time (tRFC) 75ns (min.)
- ✓ Row Active Time (tRAS) 45ns (min.) / 120,000ns (max.)
- ✓ Single Power Supply of +2.5V (+/- .25V)
- ✓ Power (IDD0) 8.900 W (operating)
- ✓ UL Rating 94 V - 0

**Note:** The module defined in this data sheet is one of several configurations available under this part number. While all configurations are compatible, the DRAM combination and/or the module height may vary from what is described here. However, in no configuration will the module height exceed 1.200" (30.48mm).

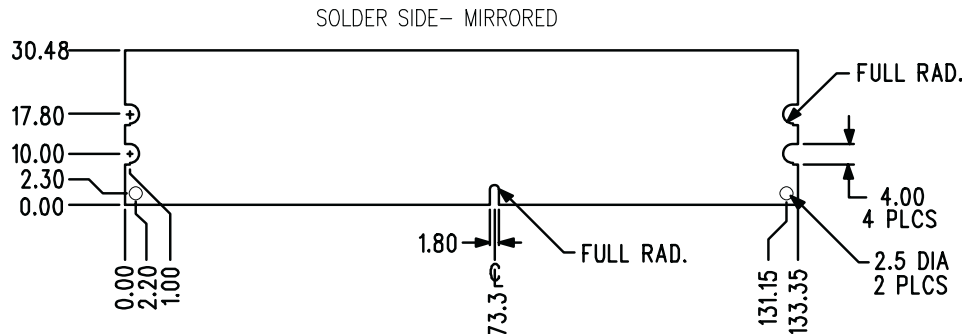
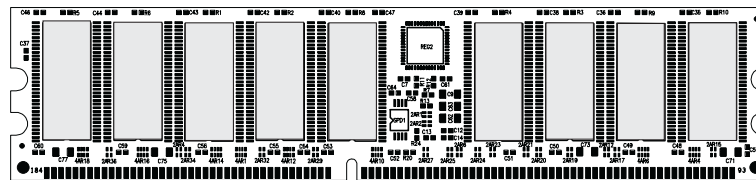
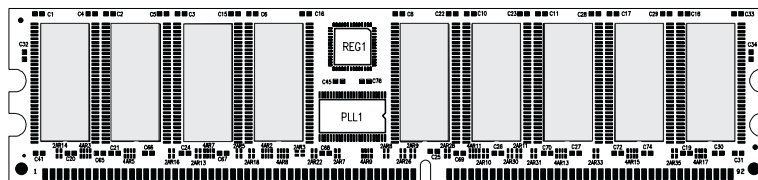


Figure 1: KVR266X72RC25L/1G 184-Pin DDR SDRAM Module