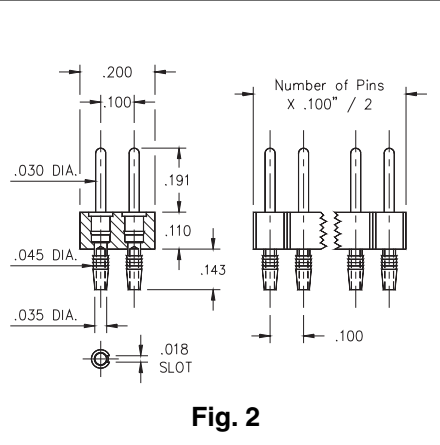
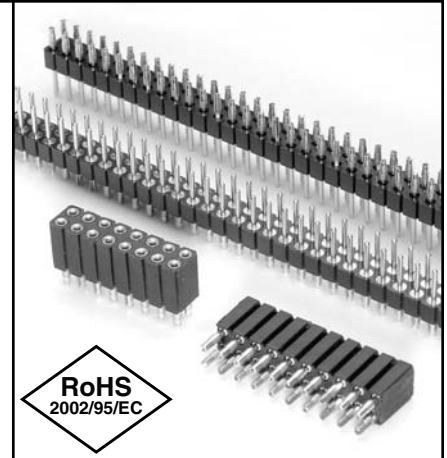
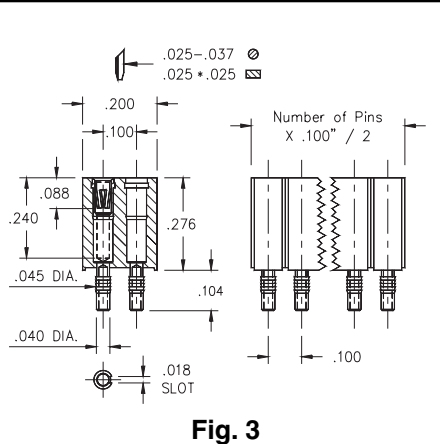


- The unique compliant tail pins conform to $.040 \pm .003$ finished hole without stressing inner layers. Patent No. 4,799,904
- Series 802 pin headers are offered in two tail lengths for $.060$ -. $.100$ " (MM #5601) and $.090$ -. $.130$ " (MM #5602) thick panels. See page 187 for details.
- Series 803 sockets MM #4614 or #4615 use Hi-Rel, 6-finger BeCu #47 contacts rated at 4.5 amps. Receptacles accept $.030$ " diameter pins & $.025$ " square pins. See page 221 for details.
- Insulators are high temp. thermoplastic.



Ordering Information	
Fig. 1	Compliant Tail Pin Header for .060 - .100" thick boards
	802-XX-0 __ -61-001000 Specify # of pins \rightarrow 02-64
Fig. 2	Compliant Tail Pin Header for .090 - .130" thick boards
	802-XX-0 __ -62-001000 Specify # of pins \rightarrow 02-64



For Electrical, Mechanical & Environmental Data, See pg. 4	XX=Plating Code See Below	For RoHS compliance select \diamond plating code.		
SPECIFY PLATING CODE XX=	10 \diamond	90	40 \diamond	
Pin Plating	10 μ " Au	200 μ " Sn/Pb	200 μ " Sn	

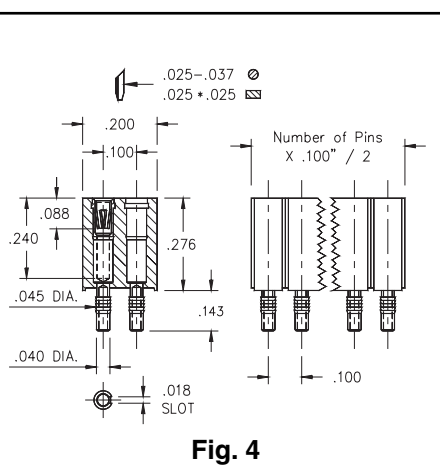


Fig. 3	Compliant Tail Socket for .060 - .100" thick boards
	803-XX-__ -61-001000 Specify # of pins \rightarrow 002-100
Fig. 4	Compliant Tail Socket for .090 - .130" thick boards
	803-XX-__ -62-001000 Specify # of pins \rightarrow 002-100

For Electrical, Mechanical & Environmental Data, See pg. 4	XX=Plating Code See Below	For RoHS compliance select \diamond plating code.			
SPECIFY PLATING CODE XX=		93	99	43 \diamond	
Sleeve (Pin)		200 μ " Sn/Pb	200 μ " Sn/Pb	200 μ " Sn	
Contact (Clip)		30 μ " Au	200 μ " Sn/Pb	30 μ " Au	