



# ETA-USA

## HIGH QUALITY SWITCHING POWER SUPPLIES

AC/DC SWITCHING ADAPTOR  
DESKTOP  
SINGLE OUTPUT / UNIVERSAL RANGE  
15 WATTS

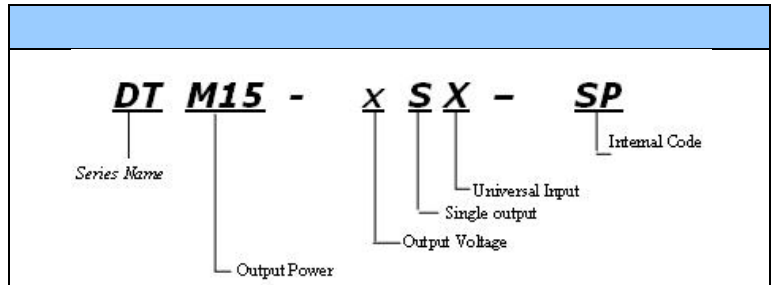


## DTM15-xSX-SP SERIES



DIMENSION: 86 x 50 x 33 mm  
3.39 x 1.97 x 1.30 inch

Input	
Input Voltage:	90-264Vac
Input Current:	0.5A max @ 100V AC input
Inrush Current:	<30A@115V AC / <45A@230V AC input. cold start at 25°C ambient
Leakage Current:	<0.5mA@264V AC input
Frequency:	47-63Hz



Features	
1. Universal input 90~264V AC	5. UL, cUL, TUV, CB, CE approved
2. Over load, short circuit protection. Auto recovery start up	
3. AC inlet IEC 320~C14	
4. With LED indicator	

Output Characteristics	Unit	Models						
		DTM15-05SC-SP	DTM15-7.5SC-SP	DTM15-09SC-SP	DTM15-12SC-SP	DTM15-15SC-SP	DTM15-18SC-SP	DTM15-24SC-SP
Output Voltage	Vdc	5	7.5	9	12	15	18	24
Max. Load	A	2.5	2.0	1.67	1.25	1.0	0.84	0.63
Regulation	%	±5%						
Ripple & Noise (Max.)	mV	50	75	90	120	150		
Max Power	W	12.5	15					
Rise up time	mS	<50mS						
Hold Up Time	mS	>20mS@230V						

<b>Efficiency</b>	<b>%</b>	<b>70</b>	<b>73</b>
-------------------	----------	-----------	-----------



ETA USA  
16170 Vineyard Blvd. Suite 180, Morgan Hill, CA 95037  
Phone: 1-800-ETA-POWER, (408) 778-2793 Fax: (408) 779-2753

Visit us at: [www.eta-usa.com](http://www.eta-usa.com)  
email at: [sales@eta-usa.com](mailto:sales@eta-usa.com)

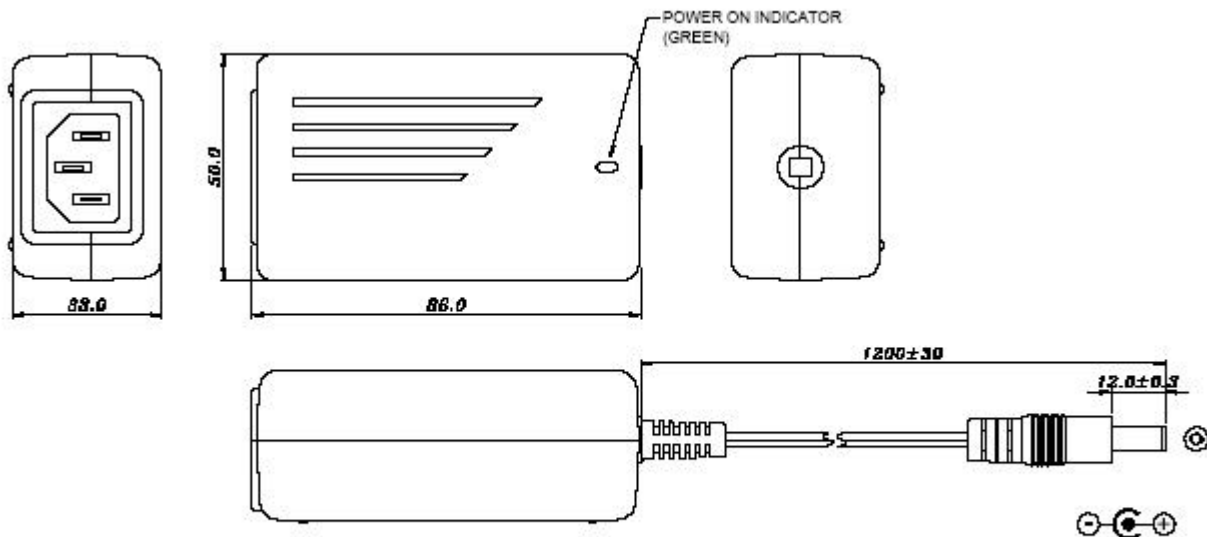


# ETA-USA

## HIGH QUALITY SWITCHING POWER SUPPLIES

Environmental Specification		
Operating Temperature	0 to +55°C ambient	
Storage Temperature	-10 to +75°C ambient	
Derating	43°C ~ 55°C : 2.5%/°C.	
Operating Humidity	20% ~ 95%	
Storage Humidity	10% ~ 95% (non condensing)	
Cooling	Natural Cooling	
Protection/Control Specification		
Over Voltage Protection	+5.8~7.0   +8.6~10.5   +10.4~12.6   +13.8~17.5   +17.3~21.0   +20.7~25.2   +27.6~33.6	
Short Circuit Protection	Hiccup, recovers automatically after fault condition has been removed.	
Safety	UL 1950 3rd, CSA C22.2 No.950-95 3 rd, TUV EN 60950, IEC 60950, EMKO-TSE (74-SEC)207/94 approved.	
M.T.B.F.	550K hours	
EMC	EMI	EN 55022 : EN 61000-3-2,3、FCC CFR 47 PART15 CLASS B、CNS13438 CALSS B.
	EMS	EN 55024 : EN-61000-4-2,3,4,5,6,8,11
Dimension	86 x 50 x 33 mm[3.39 x 1.97 x 1.30 inch]	

## DIMENSION DIAGRAM



**NOTE :**

1. ENCLOSURE COLOR : BLACK.
2. AC INLET : IEC 320 C14 STANDARD.
3. DC PLUG. ( I.D.=2.5mm ; O.D.=5.5mm )
4. UNIT : mm.



ETA USA  
16170 Vineyard Blvd. Suite 180, Morgan Hill, CA 95037  
Phone: 1-800-ETA-POWER, (408) 778-2793 Fax: (408) 779-2753

Visit us at: [www.eta-usa.com](http://www.eta-usa.com)  
email at: [sales@eta-usa.com](mailto:sales@eta-usa.com)