



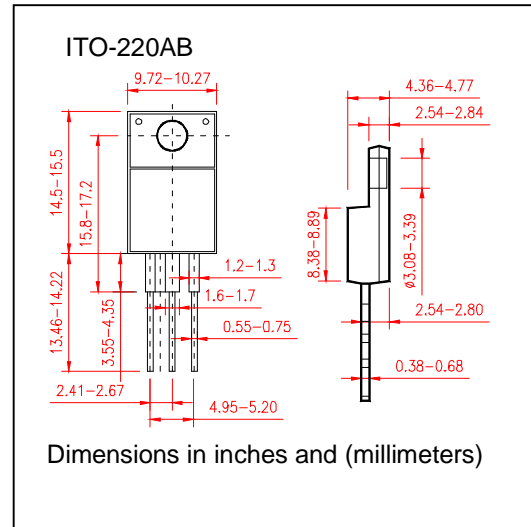
## LOW FORWARD VOLTAGE SCHOTTKY BARRIER RECTIFIER

**SRFL1030 THRU SRFL1060**

**VOLTAGE RANGE**      **30 t o 60 Volts**  
**CURRENT**              **10.0 Ampere**

### FEATURES

- Schottky Barrier Chip
- Guard Ring Die Construction for Transient Protection
- Low Power Loss, High efficiency
- High Surge Capability
- High Current capacity and Low Forward Voltage Drop
- For use in low voltage high frequency inverters, Free wheeling, and polarity protection applications
- Plastic Material has UL Flammability Classification 94V-0



### MECHANICAL DATA

- Case: ITO-220AC molded plastic
- Terminals: Plated Lead solderable per MIL-STD-202 Method 208
- Polarity: See Diagram
- Weight: 2.24 grams (approx)
- Mounting Position: Any
- Marking: Type Number

### MAXIMUM RATINGS AND ELECTRICAL CHARACTERISTICS

- Single Phase, half wave, 60Hz, resistive or inductive load
- For capacitive load derate current by 20%

	SYMBOLS	SRFL 1030	SRFL 1035	SRFL 1040	SRFL 1045	SRFL 1050	SRFL 1060	UNIT
Peak Repetitive Reverse Voltage	$V_{RRM}$	30	35	40	45	50	60	V
Working Peak Reverse Voltage	$V_{RWM}$							
DC Blocking Voltage	$V_R$							
RMS Reverse Voltage	$V_{R(RMS)}$	21	25	28	32	35	42	V
Average Rectified Output Current (Note 1) @ $T_c=95^\circ C$	$I_O$	10.0						A
Non-Repetitive Peak Forward Surge Current 8.3ms single half sine wave superimposed on rated load (JEDEC method)	$I_{FSM}$	250						A
Forward Voltage Drop @ $I_F=10A, T_c=25^\circ C$	$V_{FM}$	0.55				0.65		V
Peak Reverse Current at Rated DC Blocking Voltage	$T_c = 25^\circ C$	1.0						mA
	$T_c = 100^\circ C$	50						
Typical Junction Capacitance (Note 2)	$C_j$	700						pF
Typical Resistance Junction to case (Note 1)	$R_{\theta JC}$	3.5						$^\circ C/W$
Operating and Storage Temperature Range	$T_j T_{STG}$	(-55 to +150)						$^\circ C$

#### Notes:

1. Thermal Resistance Junction to case mounted on heatsink
2. Measured at 1.0MHz and applied reverse voltage of 4.0V DC



# LOW FORWARD VOLTAGE SCHOTTKY BARRIER RECTIFIER

SRFL1030 THRU SRFL1060

VOLTAGE RANGE 30 to 60 Volts  
CURRENT 10.0 Ampere

## RATING AND CHARACTERISTIC CURVES SRFL1030 THRU SRFL1060

