



# STAC4932B

## RF power transistors HF/VHF/UHF N-channel MOSFETs

### Features

- Excellent thermal stability
- Common source push-pull configuration
- $P_{OUT} = 1000 \text{ W min. (1200 W typ.)}$  with 26 dB gain @ 123 MHz
- Pulse conditions : 1 msec - 10%
- In compliance with the 2002/95/EC European directive
- ST air cavity packaging technology - STAC<sup>®</sup> package

### Description

The STAC4932B is a N-channel MOS field-effect RF power transistor. It is intended for 100 V pulse applications up to 250 MHz. This device is suitable for use in industrial, scientific and medical applications.

The STAC4932B benefits from the latest generation of efficient, patent-pending package technology, otherwise known as STAC<sup>®</sup>.

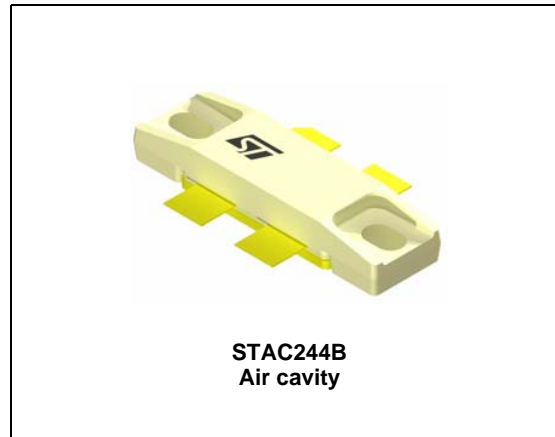


Figure 1. Pin connection

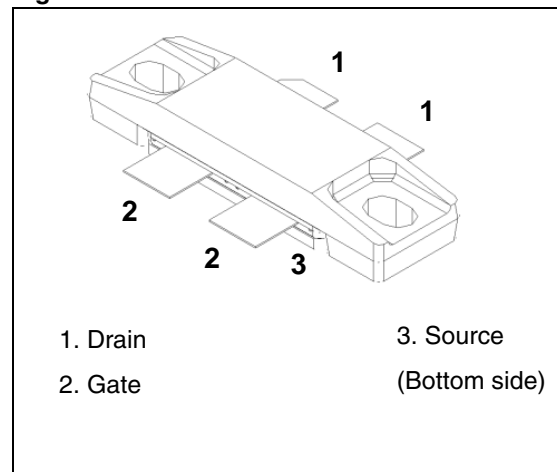


Table 1. Device summary

Order code	Marking	Package	Packaging
STAC4932B	STAC4932	STAC244B	Plastic tray

---

# Contents

<b>1</b>	<b>Electrical data</b> .....	<b>3</b>
	1.1 Maximum ratings .....	3
	1.2 Thermal data .....	3
<b>2</b>	<b>Electrical characteristics</b> .....	<b>4</b>
	2.1 Static .....	4
	2.2 Dynamic .....	4
<b>3</b>	<b>Impedance</b> .....	<b>5</b>
<b>4</b>	<b>Typical performances</b> .....	<b>6</b>
<b>5</b>	<b>Package mechanical data</b> .....	<b>9</b>
<b>6</b>	<b>Revision history</b> .....	<b>11</b>

# 1 Electrical data

## 1.1 Maximum ratings

**Table 2. Absolute maximum ratings ( $T_{CASE} = 25^{\circ}C$ )**

Symbol	Parameter	Value	Unit
$V_{(BR)DSS}^{(1)}$	Drain source voltage	200	V
$V_{DGR}$	Drain-gate voltage ( $R_{GS} = 1\text{ M}\Omega$ )	200	V
$V_{GS}$	Gate-source voltage	$\pm 20$	V
$T_J$	Max. operating junction temperature	200	$^{\circ}C$
$T_{STG}$	Storage temperature	-65 to +150	$^{\circ}C$

1.  $T_J = 150^{\circ}C$

## 1.2 Thermal data

**Table 3. Thermal data (1 msec - 10%)**

Symbol	Parameter	Value	Unit
$R_{thJC}$	Junction - case thermal resistance	0.075	$^{\circ}C/W$

## 2 Electrical characteristics

$T_{CASE} = +25\text{ °C}$

### 2.1 Static

**Table 4. Static (per side)**

Symbol	Test conditions		Min.	Typ.	Max.	Unit
$V_{(BR)DSS}^{(1)}$	$V_{GS} = 0\text{ V}$	$I_{DS} = 100\text{ mA}$	200	250		V
$I_{DSS}$	$V_{GS} = 0\text{ V}$	$V_{DS} = 100\text{ V}$			1	mA
$I_{GSS}$	$V_{GS} = 20\text{ V}$	$V_{DS} = 0\text{ V}$			250	nA
$V_{TH}$	$I_D = 250\text{ mA}$		2.0		4.0	V
$V_{DS(ON)}$	$V_{GS} = 10\text{ V}$	$I_D = 10\text{ A}$			3.6	V
$G_{FS}$	$V_{DS} = 10\text{ V}$	$I_D = 2.5\text{ A}$		6		S
$C_{ISS}$	$V_{GS} = 0\text{ V}$	$V_{DS} = 100\text{ V}$		570		pF
$C_{OSS}$	$V_{GS} = 0\text{ V}$	$V_{DS} = 100\text{ V}$		134		pF
$C_{RSS}$	$V_{GS} = 0\text{ V}$	$V_{DS} = 100\text{ V}$		8		pF

1.  $T_J = 150\text{ °C}$

### 2.2 Dynamic

**Table 5. Pulse / 1 mec - 10 %**

Symbol	Test conditions	Min.	Typ.	Max.	Unit
$P_{OUT}$	$V_{DD} = 100\text{ V}$ , $I_{DQ} = 2 \times 250\text{ mA}$ , $f = 123\text{ MHz}$	1000	1200	-	W
$h_D$	$V_{DD} = 100\text{ V}$ , $I_{DQ} = 2 \times 250\text{ mA}$ , $P_{OUT} = 1000\text{ W}$ , $f = 123\text{ MHz}$		60	-	%
Gain	$V_{DD} = 100\text{ V}$ , $I_{DQ} = 2 \times 250\text{ mA}$ , $P_{OUT} = 1000\text{ W}$ , $f = 123\text{ MHz}$		26	-	dB

### 3 Impedance

Figure 2. Current conventions

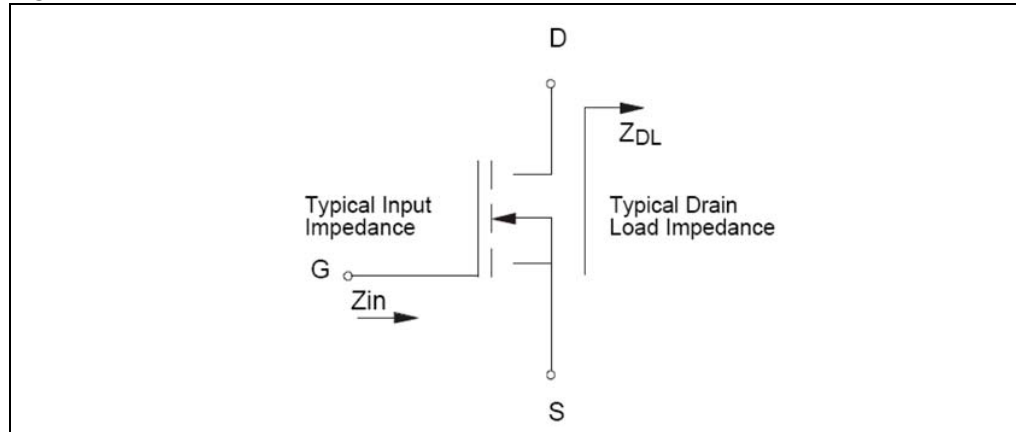


Table 6. Impedance data

Freq. (MHz)	$Z_{IN}$ ( $\Omega$ )	$Z_{DL}$ ( $\Omega$ )
123 MHz (Pulse)	TBD	TBD

Note: Measured gate to gate and drain to drain, respectively.

## 4 Typical performances

Figure 3. Maximum safe operating area

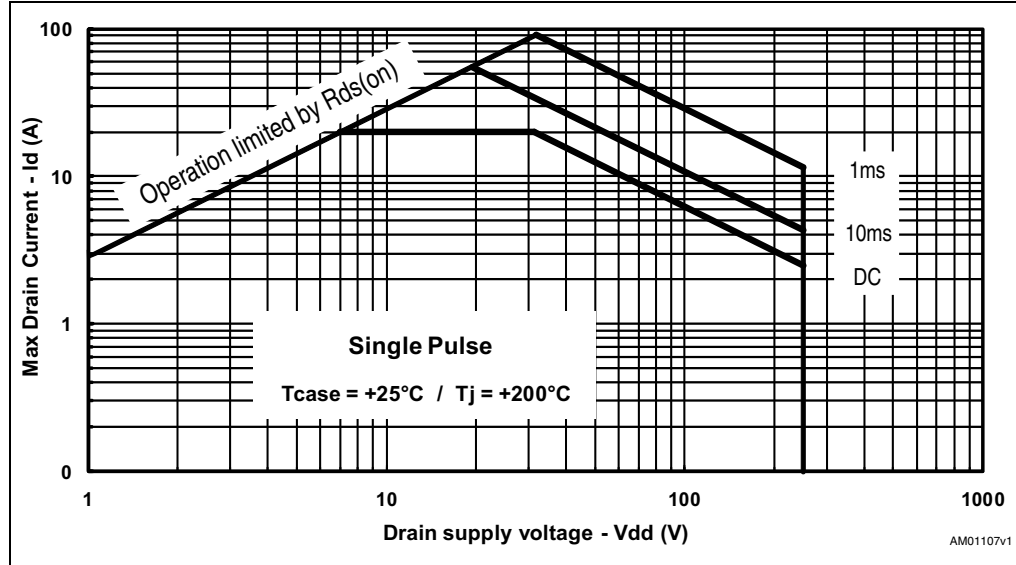


Figure 4. Transient thermal impedance

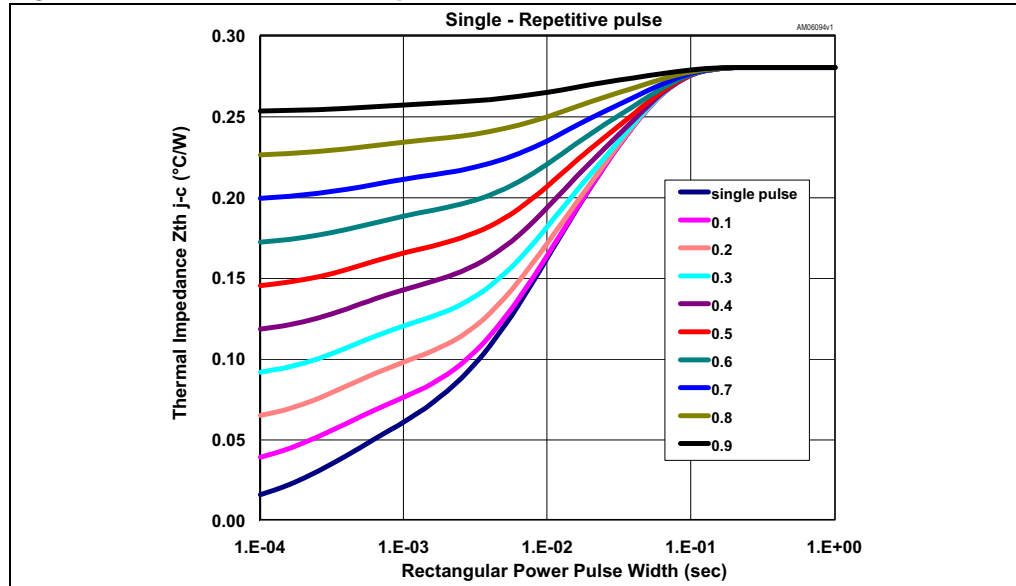


Figure 5. Transient thermal model

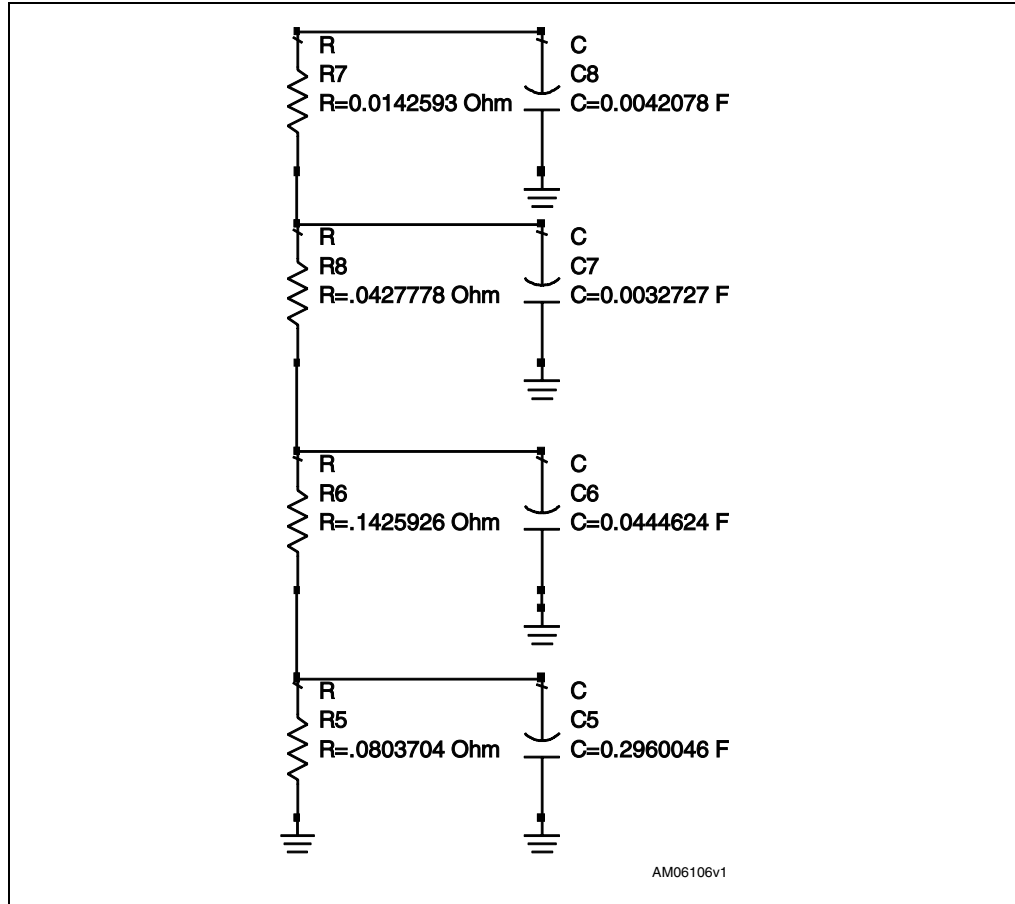


Figure 6. Power gain vs. output power

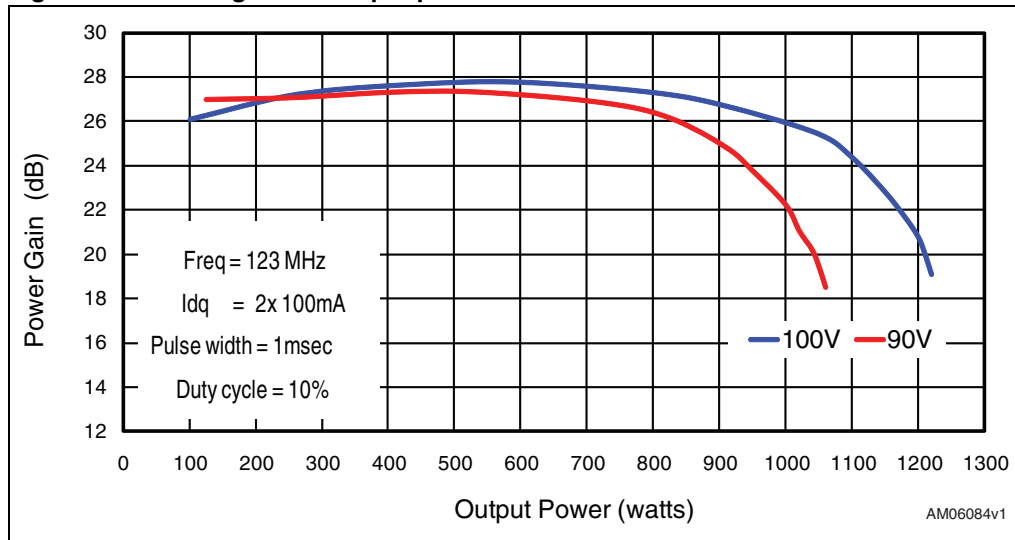
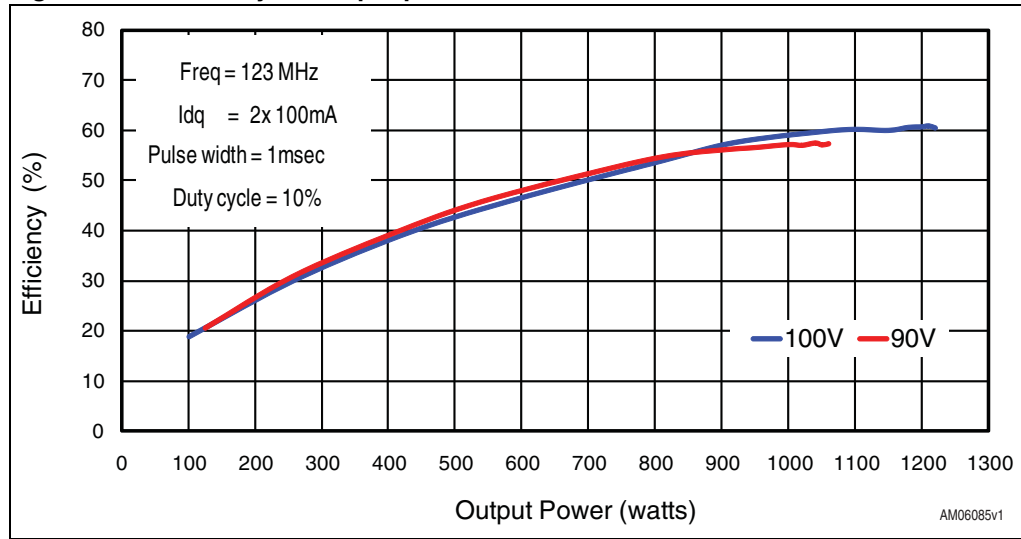


Figure 7. Efficiency vs. output power





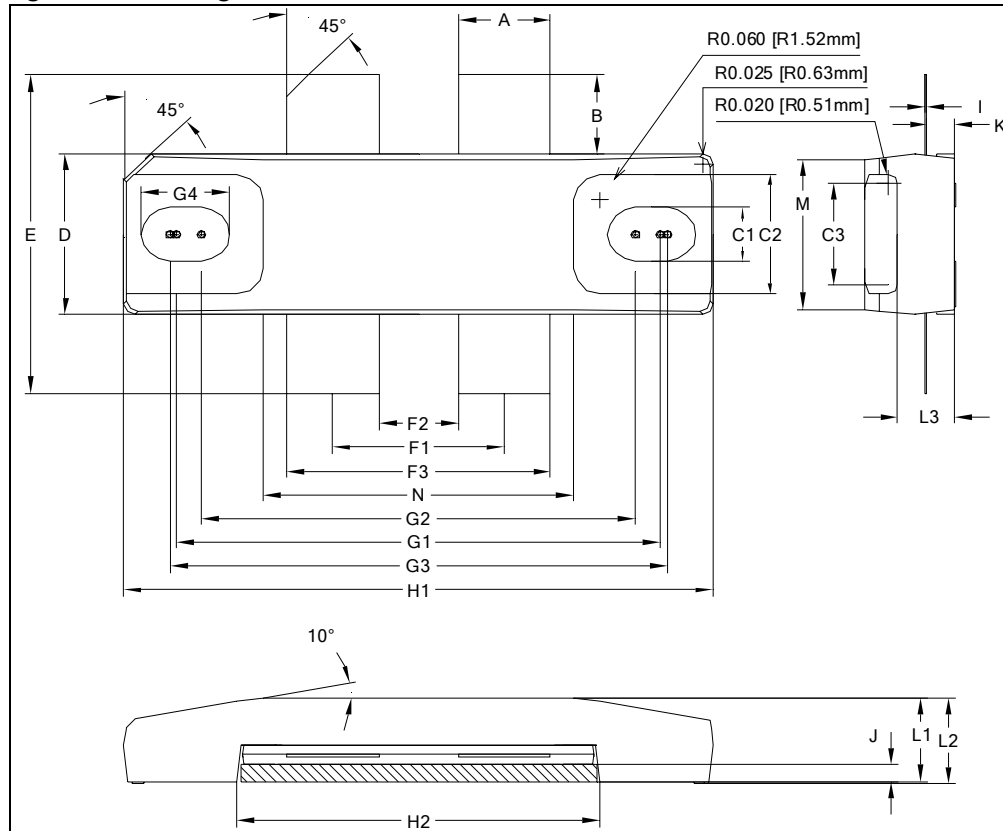
## 5 Package mechanical data

In order to meet environmental requirements, ST offers these devices in different grades of ECOPACK® packages, depending on their level of environmental compliance. ECOPACK® specifications, grade definitions and product status are available at: [www.st.com](http://www.st.com). ECOPACK is an ST trademark.

**Table 7. STAC244B package dimensions**

Dim.	mm.			Inch		
	Min	Typ	Max	Min	Typ	Max
A		5.33			0.210	
B		4.83			0.190	
C1		3.25			0.128	
C2		7.24			0.285	
C3		6.22			0.245	
D		9.78			0.385	
E		19.43			0.765	
F1		9.91			0.390	
F2		4.57			0.180	
F3		15.24			0.600	
G1		27.94			1.100	
G2		25.10			0.988	
G3	-	28.75	-	-	1.132	-
G4		5.08			0.200	
H1		34.04			1.340	
H2		20.96			0.825	
I		0.15			0.006	
J		1.02			0.040	
K		1.57			0.062	
L1		5.21			0.205	
L2		5.33			0.210	
L3		3.25			0.128	
M		9.14			0.360	
N		17.91			0.705	
Controlling dimension: inches						

Figure 8. Package dimensions



## 6 Revision history

**Table 8. Document revision history**

Date	Revision	Changes
19-Feb-2010	1	First release.
26-May-2010	2	Document status promoted from preliminary data to datasheet.
03-Aug-2010	3	Updated description on cover page and <a href="#">Table 3</a> .
03-Sep-2010	4	Updated figures: <a href="#">3</a> , <a href="#">4</a> and <a href="#">5</a> .

**Please Read Carefully:**

Information in this document is provided solely in connection with ST products. STMicroelectronics NV and its subsidiaries ("ST") reserve the right to make changes, corrections, modifications or improvements, to this document, and the products and services described herein at any time, without notice.

All ST products are sold pursuant to ST's terms and conditions of sale.

Purchasers are solely responsible for the choice, selection and use of the ST products and services described herein, and ST assumes no liability whatsoever relating to the choice, selection or use of the ST products and services described herein.

No license, express or implied, by estoppel or otherwise, to any intellectual property rights is granted under this document. If any part of this document refers to any third party products or services it shall not be deemed a license grant by ST for the use of such third party products or services, or any intellectual property contained therein or considered as a warranty covering the use in any manner whatsoever of such third party products or services or any intellectual property contained therein.

**UNLESS OTHERWISE SET FORTH IN ST'S TERMS AND CONDITIONS OF SALE ST DISCLAIMS ANY EXPRESS OR IMPLIED WARRANTY WITH RESPECT TO THE USE AND/OR SALE OF ST PRODUCTS INCLUDING WITHOUT LIMITATION IMPLIED WARRANTIES OF MERCHANTABILITY, FITNESS FOR A PARTICULAR PURPOSE (AND THEIR EQUIVALENTS UNDER THE LAWS OF ANY JURISDICTION), OR INFRINGEMENT OF ANY PATENT, COPYRIGHT OR OTHER INTELLECTUAL PROPERTY RIGHT.**

**UNLESS EXPRESSLY APPROVED IN WRITING BY AN AUTHORIZED ST REPRESENTATIVE, ST PRODUCTS ARE NOT RECOMMENDED, AUTHORIZED OR WARRANTED FOR USE IN MILITARY, AIR CRAFT, SPACE, LIFE SAVING, OR LIFE SUSTAINING APPLICATIONS, NOR IN PRODUCTS OR SYSTEMS WHERE FAILURE OR MALFUNCTION MAY RESULT IN PERSONAL INJURY, DEATH, OR SEVERE PROPERTY OR ENVIRONMENTAL DAMAGE. ST PRODUCTS WHICH ARE NOT SPECIFIED AS "AUTOMOTIVE GRADE" MAY ONLY BE USED IN AUTOMOTIVE APPLICATIONS AT USER'S OWN RISK.**

Resale of ST products with provisions different from the statements and/or technical features set forth in this document shall immediately void any warranty granted by ST for the ST product or service described herein and shall not create or extend in any manner whatsoever, any liability of ST.

ST and the ST logo are trademarks or registered trademarks of ST in various countries.

Information in this document supersedes and replaces all information previously supplied.

The ST logo is a registered trademark of STMicroelectronics. All other names are the property of their respective owners.

© 2010 STMicroelectronics - All rights reserved

STMicroelectronics group of companies

Australia - Belgium - Brazil - Canada - China - Czech Republic - Finland - France - Germany - Hong Kong - India - Israel - Italy - Japan - Malaysia - Malta - Morocco - Philippines - Singapore - Spain - Sweden - Switzerland - United Kingdom - United States of America

[www.st.com](http://www.st.com)