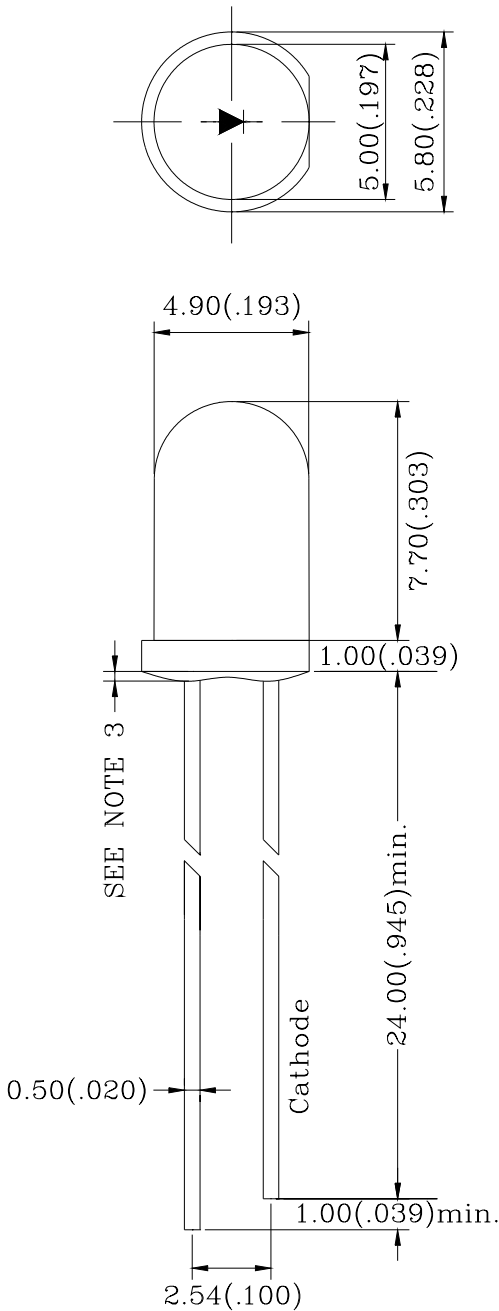




# 5.0 mm DIA LED LAMP

## L-5B41LPG2C-D2

### PACKAGE DIMENSIONS



#### Note:

1. All Dimensions are in millimeters.
2. Tolerance is  $\pm 0.25\text{mm}$  (0.010 ") Unless otherwise specified.
3. Protruded resin under flange is 1.5mm (0.059 ") max.
4. Lead spacing is measured where the leads emerge from the package.
5. Specification are subject to change without notice.
6. highlight <-400V the led can withstand the max static level when assembling or operation.



# 5.0 mm DIA LED LAMP

## L-5B41LPG2C-D2

### FEATURES

- \* SUITABLE HIGH PULSE CURRENT OPERATION
- \* EXTRA HIGH RADIANT POWER AND RADIANT INTENSITY
- \* HIGH RELIABILITY
- \* LOW FORWARD VOLTAGE

### CHIP MATERIALS

- \* Dice Material : GaInN/GaN
- \* Light Color : ULTRA PURE GREEN
- \* Lens Color : WATER CLEAR

### ABSOLUTE MAXIMUM RATING:(Ta=25°C)

| SYMBOL | DESCRIPTION                        | ULTRA PURE GREEN | UNIT  |
|--------|------------------------------------|------------------|-------|
| PAD    | Power Dissipation Per Chip         | 80               | mW    |
| VR     | Reverse Voltage Per Chip           | 5                | V     |
| IF     | Average Forward Current Per Chip   | 20               | mA    |
| -      | Derating Linear From 25°C Per Chip | 0.4              | mA/°C |
| Topr   | Operating Temperature Range        | -25°C to 85°C    |       |
| Tstg   | Storage Temperature Range          | -40°C to 85°C    |       |

Lead Soldering Temperature { 1.6mm(0.063 inch) From Body } 260°C±5°C For 5 Seconds

### ELECTRO-OPTICAL CHARACTERISTICS:(Ta=25°C)

| SYMBOL | DESCRIPTION              | TEST CONDITION | MIN. | TYP. | MAX. | UNIT |
|--------|--------------------------|----------------|------|------|------|------|
| VF     | Forward Voltage          | IF = 20mA      |      | 3.5  | 4.0  | V    |
| IR     | Reverse Current          | VR = 5V        |      |      | 100  | µA   |
| λD     | Dominant Wavelength      | IF = 20mA      |      | 528  |      | nm   |
| Δλ     | Spectral Line Half-Width | IF = 20mA      |      | 22   |      | nm   |
| 2θ1/2  | Half Intensity Angle     | IF = 20mA      |      | 60   |      | deg  |
| IV     | Luminous Intensity       | IF = 20mA      |      | 3500 |      | mcd  |

DRAWING NO. :

DATE:

Page: 2



# 5.0 mm DIA LED LAMP

## L-5B41LPG2C-D2

