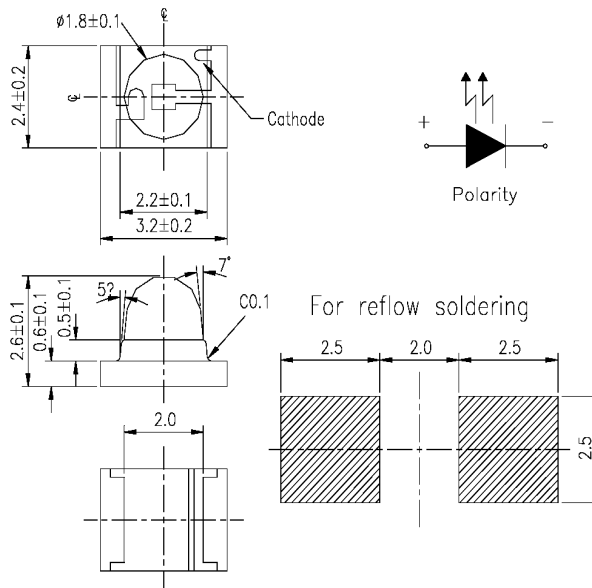


MTSM2142B-UYO

Features

Compatible with Automatic Placement Equipment
 Packaged in 12.0mm Tape on 7" Diameter Reel
 Surface Mount LED Lamp
 Long Life Solid State Reliability
 1000 Pieces per Reel



Maximum Ratings (Ta=25°C)

Characteristic	Symbol	Max.	Unit
Forward Current	I _F	25	mA
Reverse Voltage	V _R	5	V
Power Dissipation	P _D	60.00	mW
Operating Temperature	T _{opr}	-40 ~ +85	°C
Storage Temperature	T _{stg}	-40 ~ +90	°C
Soldering Temperature	T _{sol}	260	°C
Soldering Time	-	for 5 sec. max	-

Opto-Electrical Characteristics (Ta=25°C)

Characteristic	Symbol	Test Condition	Min	Typ	Max	Unit
Forward Voltage	V _F	I _F =20mA	-	2.00	2.40	V
Reverse Current	I _R	V _R =5V	-	-	10	μ A
Luminous Intensity	I _v	I _F =20mA	230.00	362.00	-	mcd
Viewing Angle	2θ ^{1/2}	-	-	30°	-	deg.
Peak Wavelength	λ _p	I _F =20mA	-	610	-	nm
Dominant Wavelength	λ _d	I _F =20mA	-	606	-	nm
Spectral Line Half Width	Δλ	I _F =20mA	-	17	-	nm

Company Headquarters
 3 Northway Lane North
 Latham, New York 12110
 Toll Free: 800.984.5337
 Fax: 518.785.4725

West Coast Sales Office
 950 South Coast Drive, Suite 225
 Costa Mesa, California 92626
 Toll Free: 800.984.5337
 Fax: 714.850.9314

