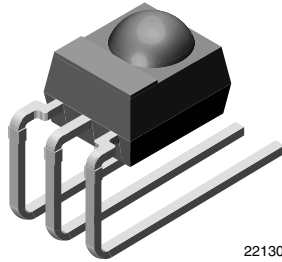


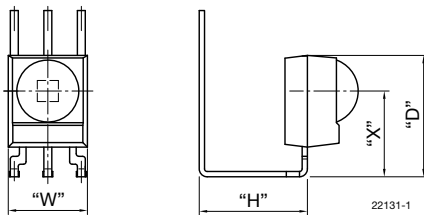
IR Receiver Modules for Remote Control Systems



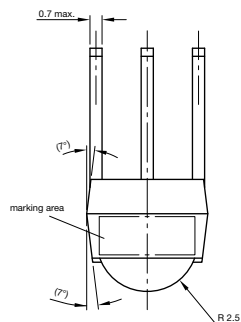
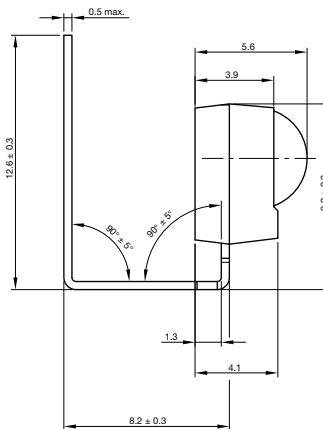
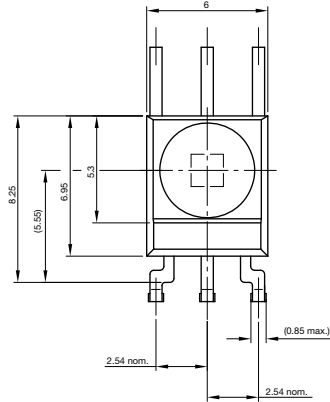
22130

AVAILABLE FOR:

- TSOP2...
- TSOP32...
- TSOP4....
- TSOP34...



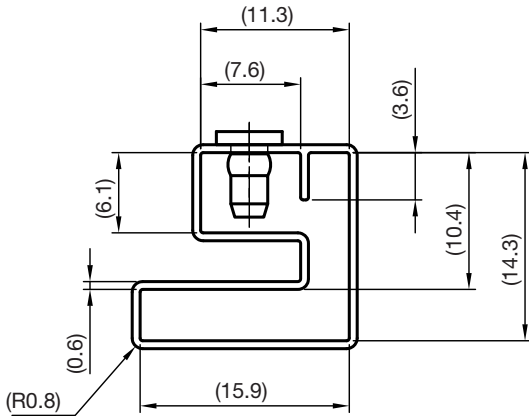
NAME	LENS AXIS (X)	VIEW	TYPE	HEIGHT (H)	WIDTH (W)	DEPTH (D)
ST1	6.5		Bend	8.2	6	9.2

MECHANICAL DIMENSIONS in millimeters

 Drawing-No.: 6.550-5308.01-4
 Issue: 2; 19.11.10
 22129

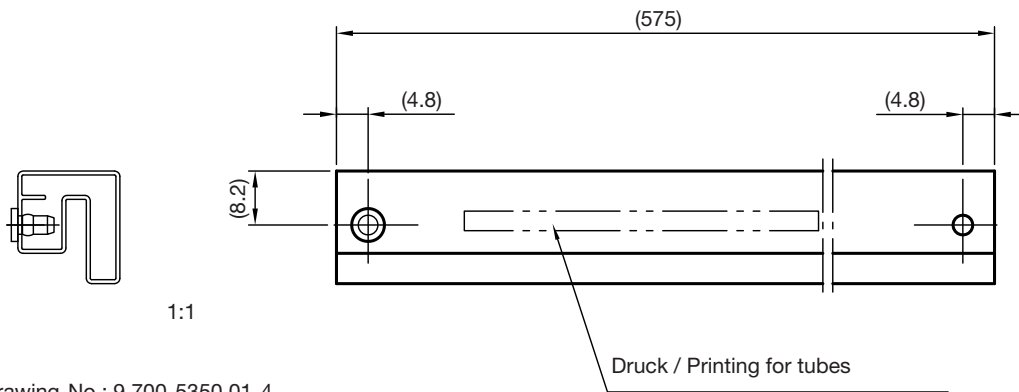
Not indicated tolerances ± 0.2



PACKAGING DIMENSIONS in millimeters

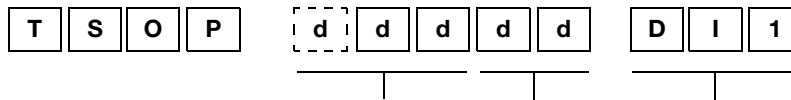


Wanddicke/wall thickness: 0.6



Drawing-No.: 9.700-5350.01-4
Issue: 1; 21.05.10
22128

ORDERING INFORMATION



2 or 3 digit product series 2 digit frequency Holder type

Note

d = "digit", please consult the list of available series on the previous page to create a valid part number.

Example: TSOP4836DI1

PACKING QUANTITY

- 90 pieces per tube
- 32 tubes per carton