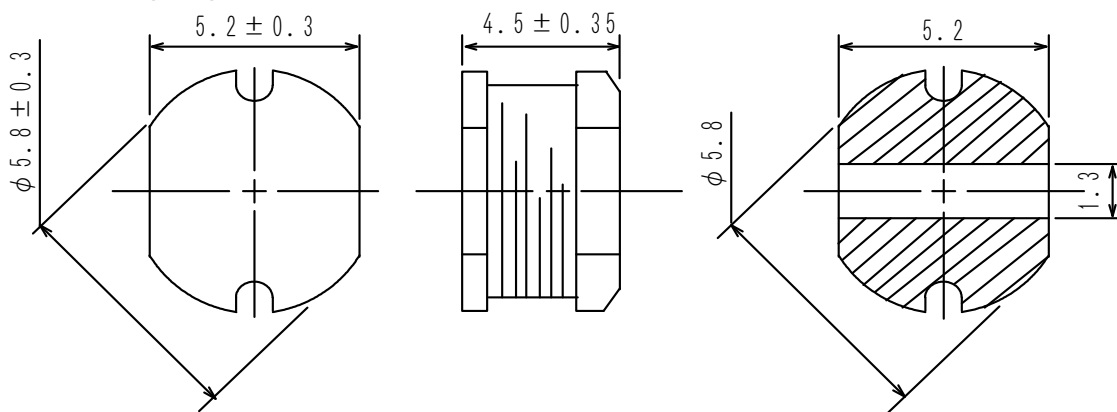
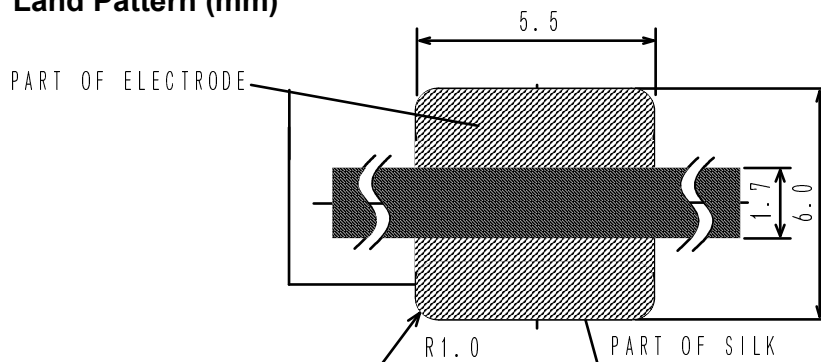


**Type: CD54**
**◆ Product Description**

- 6.1 × 5.5mm Max.(L×W), 4.85mm Max. Height.
- Inductance range: 10~220  $\mu$  H.
- Rated current range: 0.35~1.44A.
- Custom design is available.


**◆ Feature**

- Magnetically unshielded construction.
- Storage temperature range: -40°C~+100°C.
- Operating temperature range: -40°C~+100°C (Including coil's self heat).
- Ideally used in Mobilephone,PDA,MP3,DSC/DVC,HDD, etc as DC-DC converter inductors.
- Qualification to AEC-Q200 (-40°C~+125°C, Including coil's self heat).
- RoHS compliance.
- Halogen Free available.

**◆ Dimensions (mm)**

**◆ Land Pattern (mm)**


**Type: CD54**
**◆ Specification**

Part Name ※	Stamp	Inductance ( $\mu$ H) ※1	D.C.R ( $\Omega$ ) [Max.] (at 20°C)	Rated Current (A) ※2	S.R.F. (MHz) (Typ.)
CD54NP-100M□	100	10 $\pm$ 20%	0.10	1.44	30.6
CD54NP-120M□	120	12 $\pm$ 20%	0.12	1.40	27.7
CD54NP-150M□	150	15 $\pm$ 20%	0.14	1.30	25.9
CD54NP-180M□	180	18 $\pm$ 20%	0.15	1.23	23.3
CD54NP-220M□	220	22 $\pm$ 20%	0.18	1.11	19.5
CD54NP-270M□	270	27 $\pm$ 20%	0.20	0.97	17.5
CD54NP-330L□	330	33 $\pm$ 15%	0.23	0.88	16.3
CD54NP-390L□	390	39 $\pm$ 15%	0.32	0.80	15.8
CD54NP-470L□	470	47 $\pm$ 15%	0.37	0.72	13.6
CD54NP-560K□	560	56 $\pm$ 10%	0.42	0.68	12.1
CD54NP-680K□	680	68 $\pm$ 10%	0.46	0.61	11.7
CD54NP-820K□	820	82 $\pm$ 10%	0.60	0.58	10.2
CD54NP-101K□	101	100 $\pm$ 10%	0.70	0.52	9.24
CD54NP-121K□	121	120 $\pm$ 10%	0.93	0.48	8.61
CD54NP-151K□	151	150 $\pm$ 10%	1.10	0.40	8.28
CD54NP-181K□	181	180 $\pm$ 10%	1.38	0.38	6.42
CD54NP-221K□	221	220 $\pm$ 10%	1.57	0.35	5.73

**※ Description of part name**

CD54NP-100M□  
 └─ B: Box  
 └─ C: Carrier Tape

※1. Measuring frequency: inductance: 10  $\mu$  H  $\sim$  82  $\mu$  H at 2.52 MHz  
 100  $\mu$  H  $\sim$  220  $\mu$  H at 1 kHz

※2. Rated current: The DC current at which the inductance decreases to 90 % of its initial value or when  $\Delta t=40^\circ\text{C}$ , whichever is lower( $T_a=20^\circ\text{C}$ ).