

AN5551

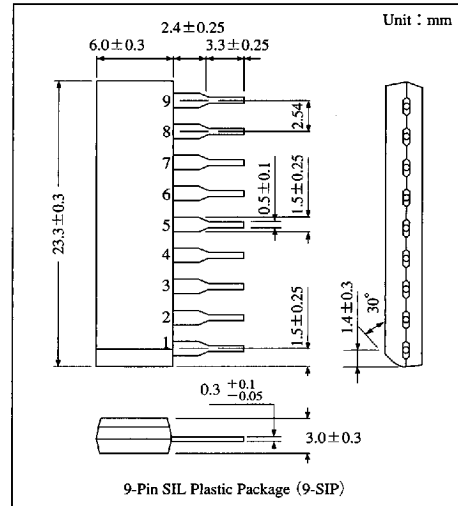
Pin-Cushion Compensation IC

■ Overview

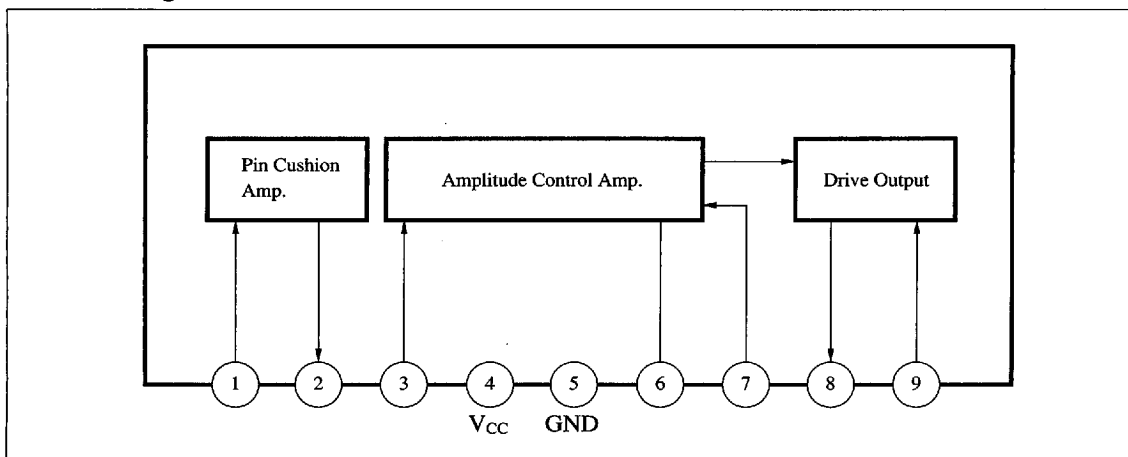
The AN5551 is an integrated circuit designed for compensation of CRT pin-cushion.

■ Features

- Operating supply voltage : 12V (typ.)
- Parabola-wave generating pin-cushion amplifier built-in
- Built-in amplitude compensation-circuit for ABL compensation.



■ Block Diagram



6932852 0014343 521

Panasonic

■ Absolute Maximum Ratings (Ta=25°C)

Parameter		Symbol	Rating		Unit
Voltage	Supply voltage	V ₄₋₅	24		V
	Circuit voltage	V ₂₋₅ , V ₃₋₅ , V ₆₋₅	0	V ₄₋₅	V
Current	Circuit current	I _g	-10	0	mA
		I _g	-10	10	mA
Power dissipation		P _D	600		mW
Operating ambient temperature		T _{opr}	-20 to +70		°C
Storage temperature		T _{stg}	-55 to +150		°C

■ Recommended Operating Range (Ta=25°C)

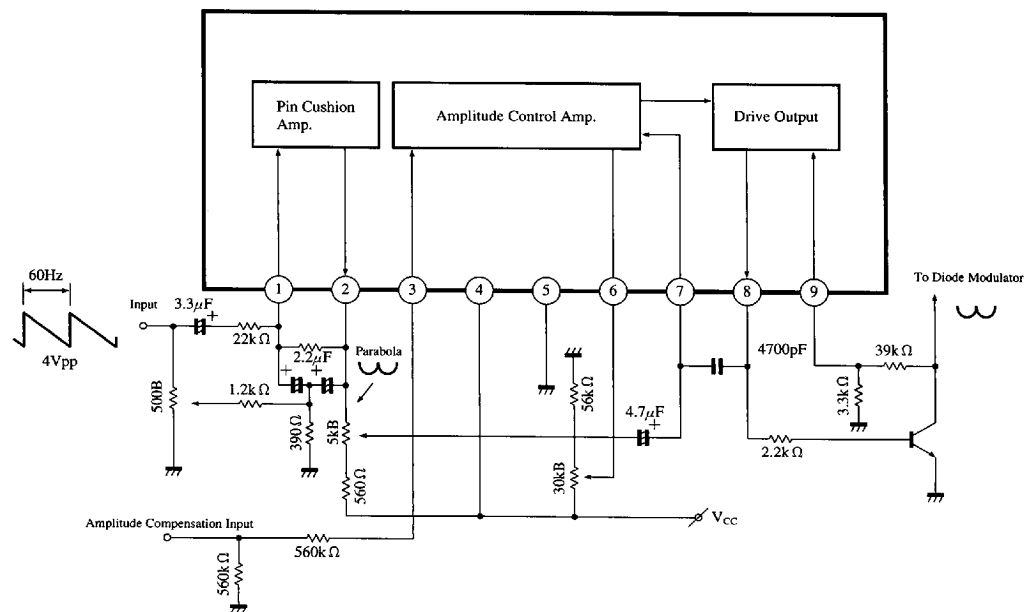
Parameter	Symbol	Range
Operating supply voltage range	V _{CC}	9.6V to 24V

■ Electrical Characteristics (Ta=25°C)

Parameter	Symbol	Condition	min	typ	max	Unit
Circuit current	I _{CC}	V _{CC} =12V	5.2	7.5	10	mA
Input impedance	R _{IN} ①	Impedance of Pin①	3	5.1	9.2	kΩ
Output impedance	R _{out} ②	Impedance of Pin②	27	45	—	kΩ
Pin-cushion gm	gm②	gm of Pin②	2.5	3.7	5.6	mS
Amplitude control gm	gm⑧	gm of Pin⑧	1.1	2	2.8	mS

ICs for TV

■ Application Circuit



■ 6932852 0014344 468 ■

Panasonic