

STK3042 III Series

★2ch./1package, \pm Power Supply

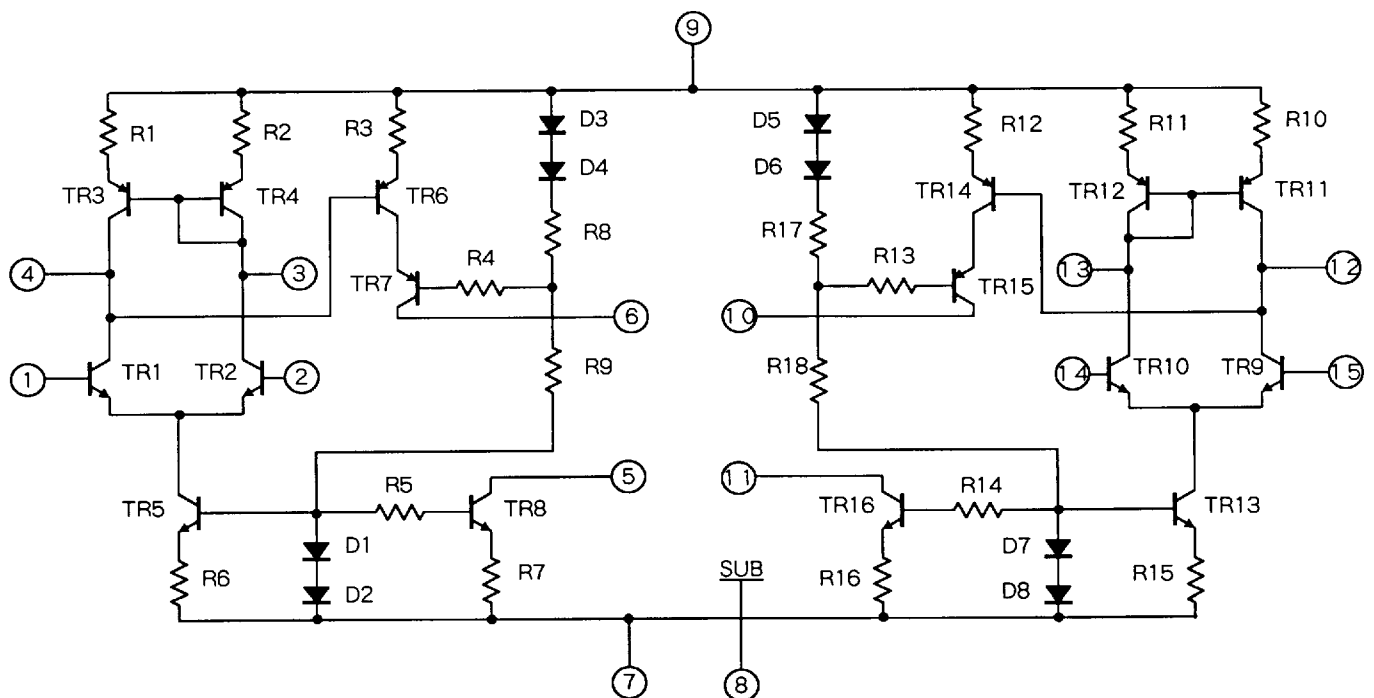
★Voltage Amplifier

★THD = 0.005%

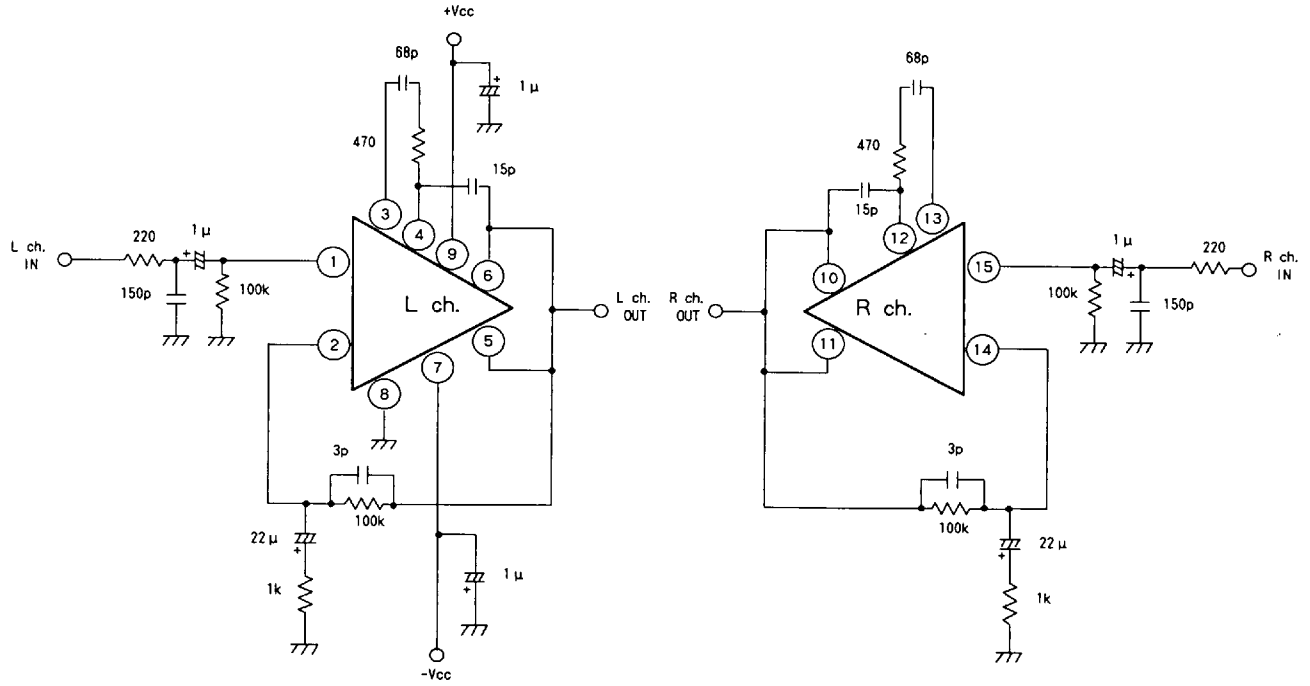
Model	Maximum Ratings 最大定格	Recommended Operating Conditions 推奨動作条件 [V]	Operating Characteristics (Recommend Operating Conditions at Test Circuit) 動作特性(Test Circuitにて 推奨動作条件による)	
	Vcc max [V]	Vcc [V]	Po max RL=8Ω f=20~20kHz [W]	THD (V _G =40dB) [%]
*STK3042 III	±55	±36	40 ~ 60	0.005
*STK3062 III	±59	±41	60 ~ 80	0.005
*STK3082 III	±65	±47	80 ~ 90	0.005
*STK3102 III	±75	±50	90 ~ 100	0.005
*STK3122 III	±80	±55	100 ~ 120	0.005
*STK3152 III	±90	±60	120 ~ 150	0.005

* Under mass production

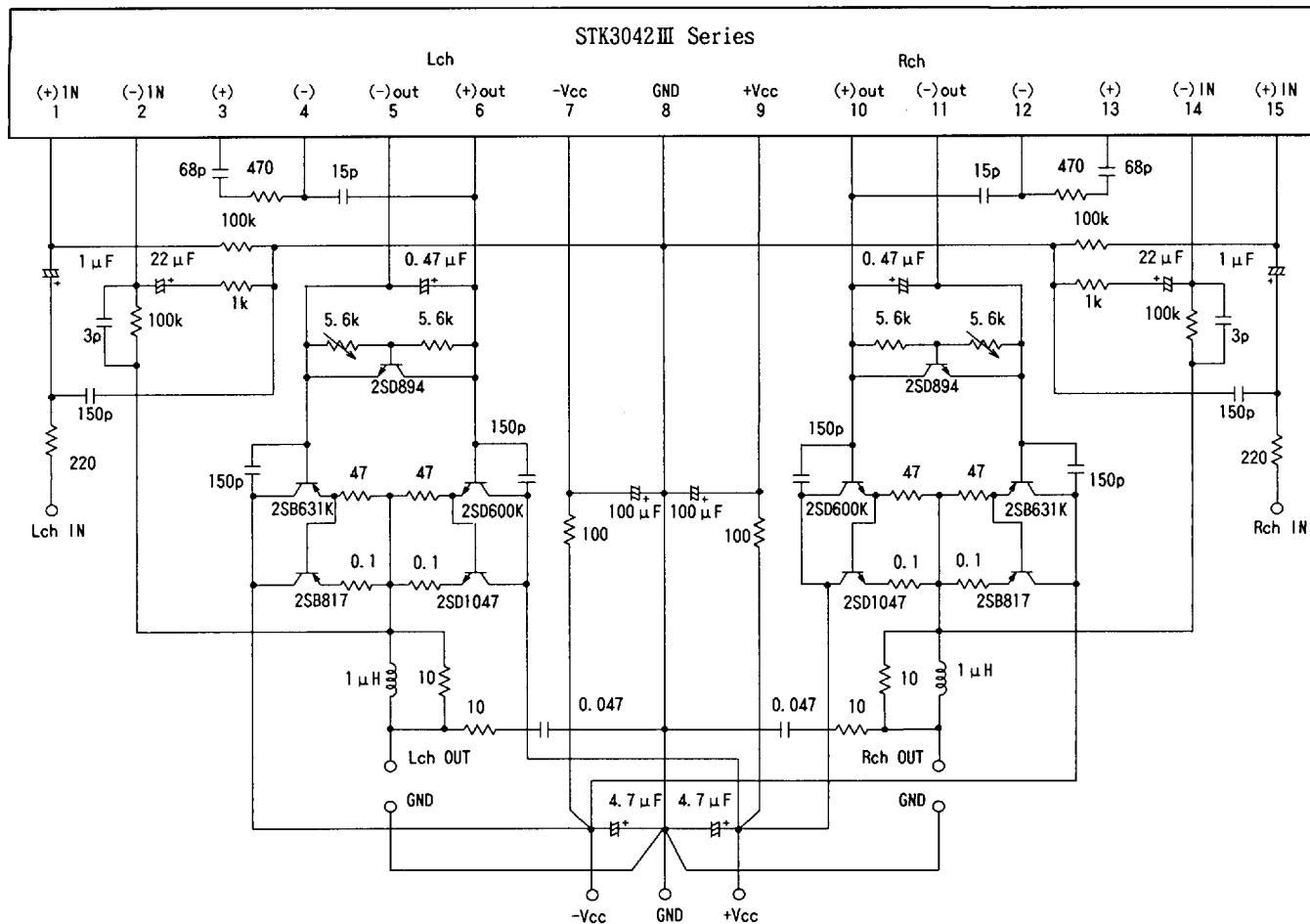
Equivalent Circuit



■ Test Circuit



■ Application



■ Case Outline

