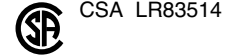




PO005-12D-1B-3 PO005-24D-1B-3

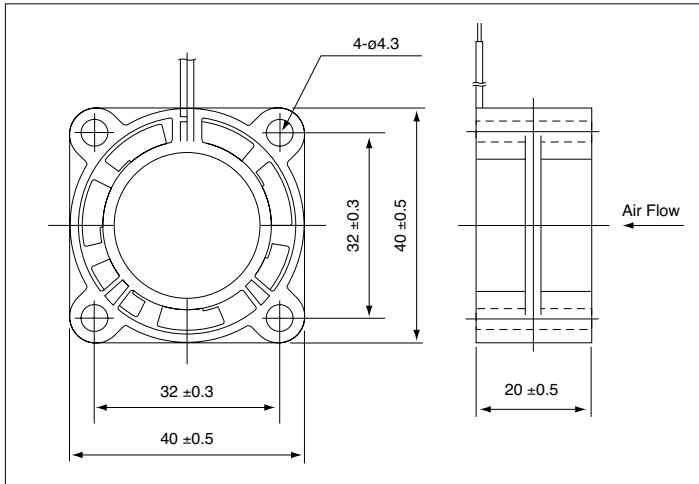
Features

Size:	40 x 40 x 20 mm (1.6" x 1.6" x 0.8")
Airflow:	5 CFM
Lead Wire:	AWG24 (UL1007)
Impeller/Frame:	Reinforced Plastic (UL94V-0)
Bearings:	Sealed Ball

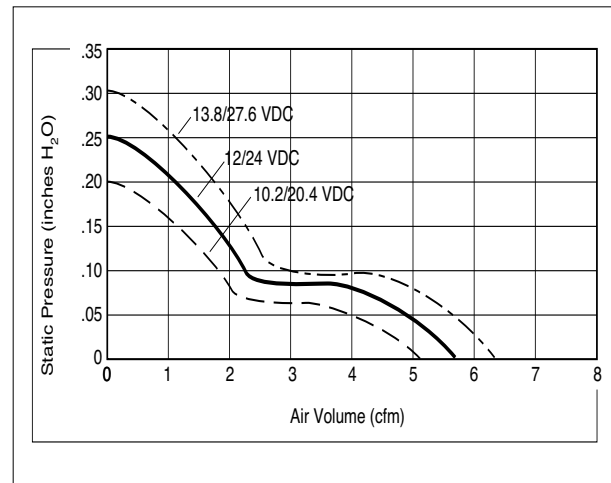


• RoHS Compliant

Dimensions – inches mm



Air Flow vs Air Pressure



Performance

Type	Rated Voltage (V)	Rated Current (A)		Max Air Flow (CFM)	Max Air Pressure (In H ₂ O)	Noise* (dBA)	Operating Voltage (V)	Operating Temperature (°C)	Life Expectancy (Hr) (@ 25°)
		Locked	Moved						
PO005-12D-1B-3	12	.20	.15	5.0	.25	35	10.2~13.8	-10~ +60	50,000
PO005-24D-1B-3	24	.12	.10	5.0	.25	35	20.4~27.6	-10~ +60	50,000

*Measured 1 m from intake

Product specifications contained herein may be changed without prior notice.
It is therefore advisable to contact Purdy Electronics before proceeding with the design of equipment incorporating this product.