

ES-1110N-LSA-H

1. ENVIRONMENT CHARACTERISTICS:

1-1. All Conditions are at 25°C Ambient unless otherwise specified

1-2. Operating Temperature 0°C ~ +55°C

1-3. Storage Temperature -25°C ~ +70°C

1-4. Humidity Operating 95%

1-5. Humidity Storage 95%

2. CONNECTOR PIN ASSIGNMENT:

Input : CN4

Model : JH2-20-0648(90°)

Supplier : FCN

Pin	Symbol
1	Vin
2	Vm
3	ON/OFF
4	Br t ADJ(0.0V~5.0V)
5	GND
6	GND

Output : CN1,CN2,CN3

Model : SM02(8.0)B-BHS-1-TB

Supplier : JST

Pin	Symbol
1	HV
2	HV

Output : CN5

Model : SM02B-BHSS-1-TB

Supplier : JST

1	RETURN
2	RETURN

TEST INSTRUMENT:

1. OSCILLOSCOPE : TDS380 DIGITAL REAL-TIME OSCILLOSCOPE
2. HIGH VOLTAGE PROBE : TEKTRONIX P5100 (1:100)
3. CURRENT PROBE AMPLIFIER : TEKTRONIX AM503B
4. CURRENT PROBE : TEKTRONIX A6302
5. DC POWER SUPPLY : GW GPC-3060D
6. MULTIMETER : FLUKE 45 DUAL DISPLAY

3. SCOPE

- 3-1 This document defines the requirements for the CCFL inverter of the TFT-LCD panel.
This product is compatible with **10" Six Lamp Panel**.

4. ELECTRICAL CHARACTERISTICS

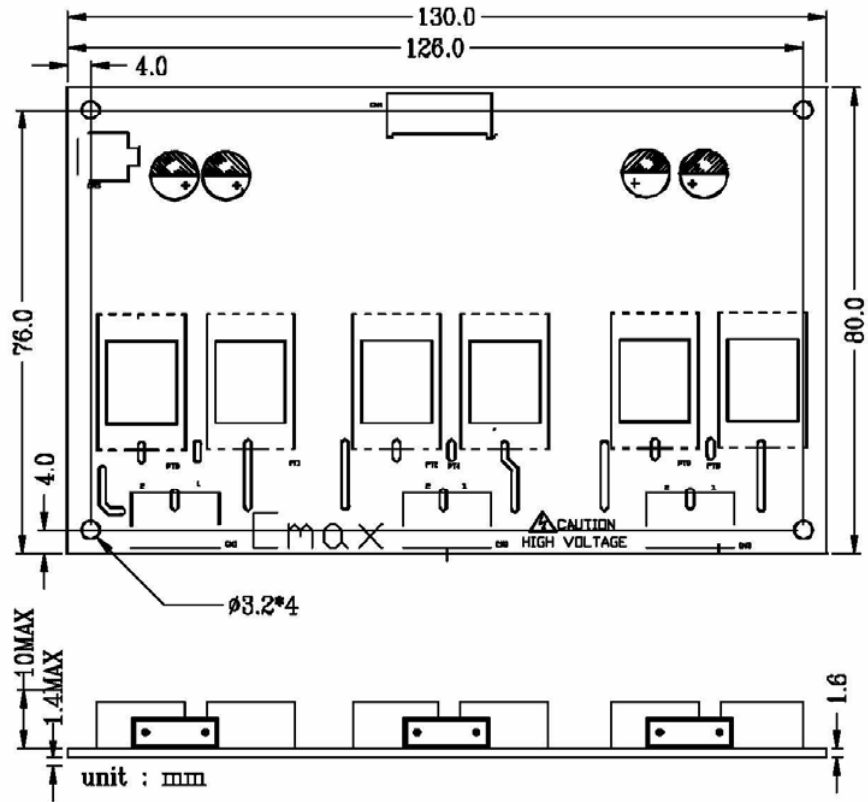
4-1 INPUT Brt. ADJ=0.0V.

PARAMETER	SYMBOL	MIN.	NOM.	MAX.	UNIT	REMARK
INPUT VOLTAGE	V _{in}	10.8	12.0	13.2	V	
INPUT CURRENT	I _{in}	1350	1550	1900	mA	RL=70KΩ*6 V _{in} = 12V
LAMP FREQUENCY	FL(1,2,3)	50	55	60	KHz	V _{rmt} =0.0V
	FL(4,5,6)	50	55	60		
OUTPUT CURRENT	I _{out} (1,2,3)	5.5	6.0	6.5	mA	V _{rmt} =0.0V
	I _{out} (4,5,6)	5.5	6.0	6.5		
OPEN OUTPUT VOLTAGE	V _s (1,2,3)	----	1700	----	Vrms	V _{in} =12V
	V _s (4,5,6)	----	1700	----		
LAMP VOLTAGE	V _{out} 1,2,3	----	420	----	Vrms	V _{rmt} =0.0V
	V _{out} 4,5,6	----	420	----		

4-2 INPUT Brt. ADJ=5.0V.

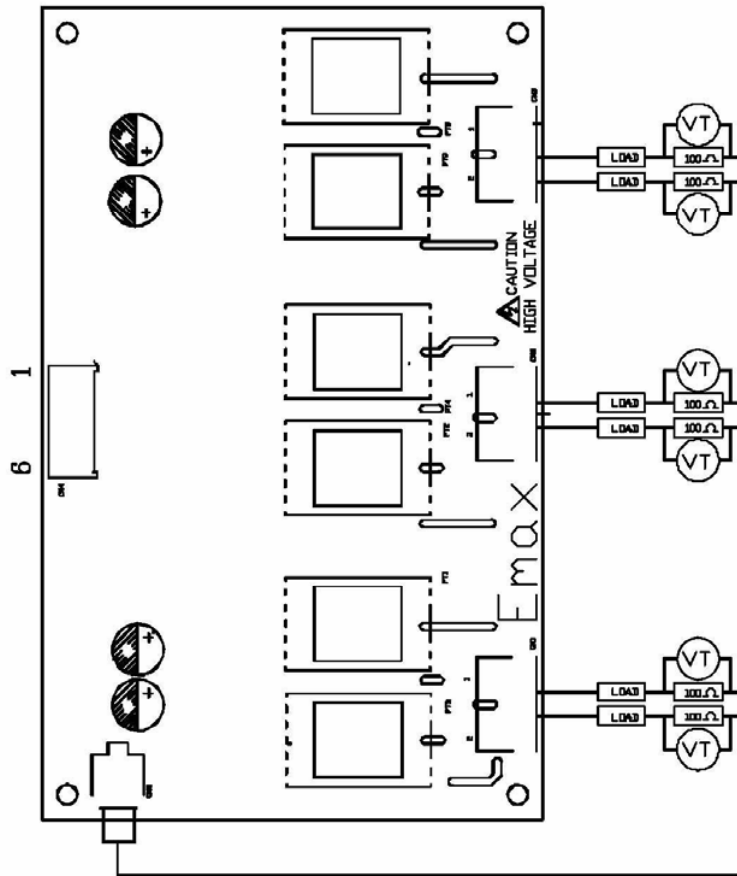
PARAMETER	SYMBOL	MIN.	NOM.	MAX.	UNIT	REMARK
INPUT VOLTAGE	V _{in}	10.8	12.0	13.2	V	
INPUT CURRENT	I _{in}	200	330	480	mA	RL=70KΩ*6 V _{in} = 12V
LAMP FREQUENCY	FL(1,2,3)	50	55	60	KHz	V _{rmt} =5.0V
	FL(4,5,6)	50	55	60		
OUTPUT CURRENT	I _{out} (1,2,3)	2.0	2.5	3.0	mA	V _{rmt} =5.0V
	I _{out} (4,5,6)	2.0	2.5	3.0		
LAMP VOLTAGE	V _{out} 1,2,3	----	230	----	Vrms	V _{rmt} =5.0V
	V _{out} 4,5,6	----	230	----		

NOTE: All Conditions are at 25°C Ambient unless otherwise specified



All product specifications are subject to change without notice





All product specifications are subject to change without notice

