



QUAD INTEGRATED IEEE 802.3af-2003 PSE CONTROLLER AND POWER MANAGEMENT SYSTEM WITH ENHANCED CAPABILITIES

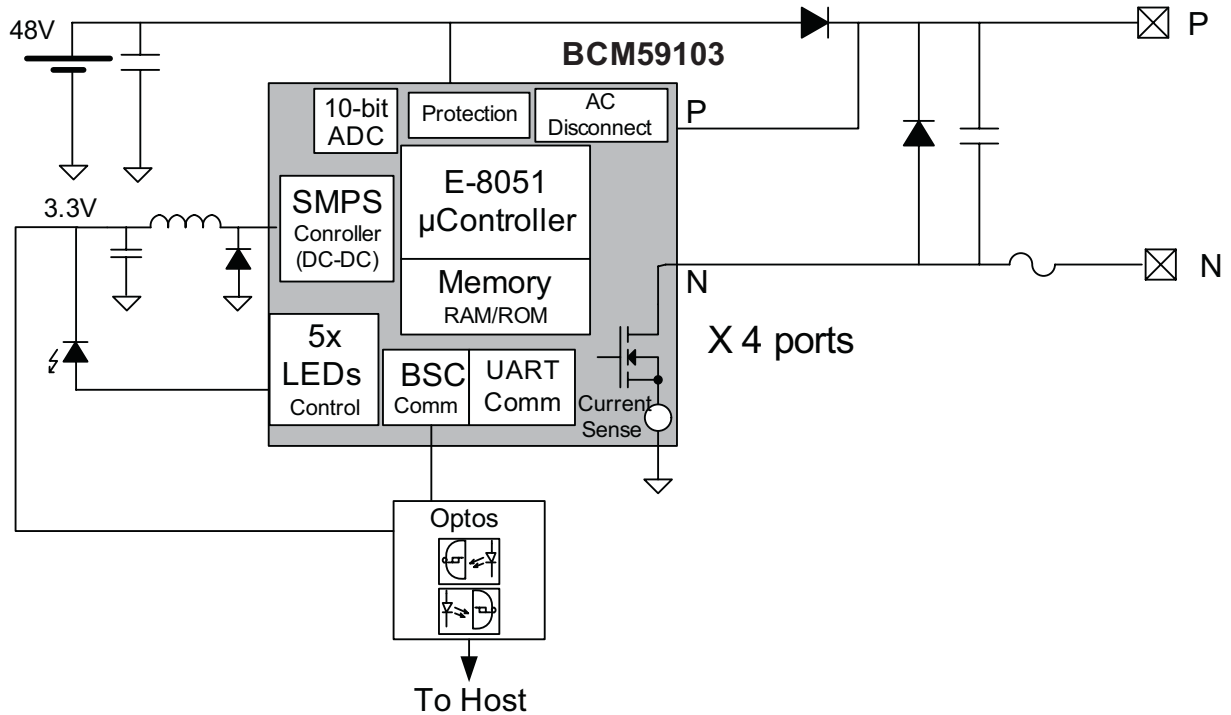
FEATURES

- **Standards support**
 - IEEE 802.3af-2003-compliant
 - IEEE 802.3af-2003 classification scheme support
 - Supports Pre-IEEE 802.3af-2003 legacy detection
- **High hardware integration**
 - Integrated switches
 - Integrated current sense functionality
 - Integrated microcontroller
 - Integrated AC and DC disconnect options
- **Extensive hardware features**
 - 15.4W per port to support Power Over Ethernet (POE) PDs via integrated circuitry
 - Programmable current limit for both IEEE 802.3af and extended power ranges
 - Low-power dissipation eliminating heat sink in IEEE 802.3af mode
 - Broadcom serial control (BSC) interface support to the host
 - UART interface support to the host
 - Robust switch protection circuit withstands cable discharge and ESD events (CESD)
 - Autonomous, semi-autonomous, or manual modes
 - Real-time current, voltage and temperature measurements available per port
 - Cascading of multiple devices up to 64 ports support with the option of single hardware and software interface for the host
 - Includes four LED drivers reporting POE port activity
 - Integrated 3.3V buck regulator (DC:DC) to support up to 200 mA
 - Over-temperature protection
 - Operates from a single 48V supply
- **Extensive software features**
 - Self-contained power allocation software
 - Integrated 4-port power management
 - Integrated power management for all ports in cascaded version

SUMMARY OF BENEFITS

- **Highest integration that allows for**
 - Lowest total BOM count
 - Easier PCB placement and PCB area saving
 - Full functionality without external u-controller including power management
 - Eliminates the need for an external 48V to 3.3V power conversion
- **Further reduces BOM count via 3.3V DC:DC capability to be shared across multiple BCM59101 devices**
- **Enables support of POE PDs such as emerging Wi-Fi® APs, security cameras, and IP phone via 15.4W per port capability**
- **Eliminates the need for a heat sink in IEEE 802.3af mode via no-dissipation-Rsense and DC:DC to 3.3V**
- **Makes layout and design easy via simple ground/power plane**
- **Works with Broadcom POE-enabled products for easy implementation**
- **Architected with system-oriented features to allow for system-level differentiation, including:**
 - Single point of interface for host hardware and software
 - Power management across all ports in cascaded configuration
 - Programmable current limits and dynamic measurement per port
 - Rapid power-down to support multiple power supply failures
- **Supports a variety of applications:**
 - Routers and switches for Enterprise, SMB, SOHO, and commercial markets
 - Ethernet midspans
 - PSE power injectors
 - Integrated magnetics

OVERVIEW



BCM59101 Module Architecture

The BCM59101 is a highly integrated quad power source equipment (PSE) controller compatible with IEEE 802.3af-2003. The controller is the industry first to offer a highly integrated architecture with revolutionary enhancements that are targeted at reducing the complexity of Power Over Ethernet (POE) designs.

The BCM59101 integrates the microcontroller, power switches, low-loss current sense function, detection, classification, and voltage converters, 3.3V bias regulator (DC:DC converter) and AC disconnect functionality.

The high level of integration and innovation make the device the most power efficient integrated IEEE 802.3af POE system.

The BCM59101 offers a networking-oriented host interface that offers a full suite of power management. This easy to use interface can be extended to manage up to 64-cascaded ports through a single host interface.

The BCM59101 is designed with robustness and legacy support. It offers detection and classification mechanisms capable of detecting both IEEE 802.3af-compatible devices and legacy devices simultaneously. In addition, the BCM59101 is designed and tested to withstand cable discharge events as well as ESD events in excess of 2 kV.

Broadcom®, the pulse logo, Connecting everything®, and the Connecting everything logo are among the trademarks of Broadcom Corporation and/or its affiliates in the United States, certain other countries and/or the EU. Any other trademarks or trade names mentioned are the property of their respective owners.

Connecting
everything®



BROADCOM CORPORATION
5300 California Avenue, P.O. Box 57013
Irvine, California 92617

© 2007 by BROADCOM CORPORATION. All rights reserved.

59101-PB01-R 04/20/07

Phone: 949-926-5000
Fax: 949-926-5203
E-mail: info@broadcom.com
Web: www.broadcom.com