



SECURITY PROCESSOR

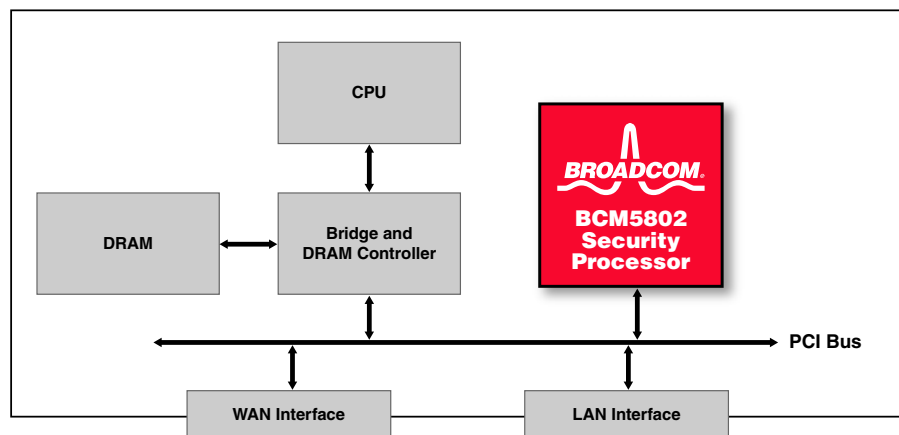
FEATURES

- Feature-rich single-chip security processor integrating full IPSec and IKE acceleration
- Supports DES, 3DES, HMAC- SHA-1, and HMAC-MD5
- 100-Mbps IPSec (3DES, SHA-1) “in-system” performance with new Security Association (SA) per packet
- Sustainable 50 Mbps on 200-byte packets
- Unlimited SA support via system memory
- Extensive hardware acceleration support for IKE/SSL/TLS key setup
- Public-key acceleration unit supports 30 Diffie-Hellman key exchanges per second
- True hardware random number generator
- Supports multi-packet processing and prefetch of packet data and context
- Multi-threaded DMA allows multi-packet processing with a single PCI write
- Accommodates most PCI latency problems without performance degradation
- PCI 2.2 interface, 32 bits, 33 MHz
- 33-MHz operating frequency

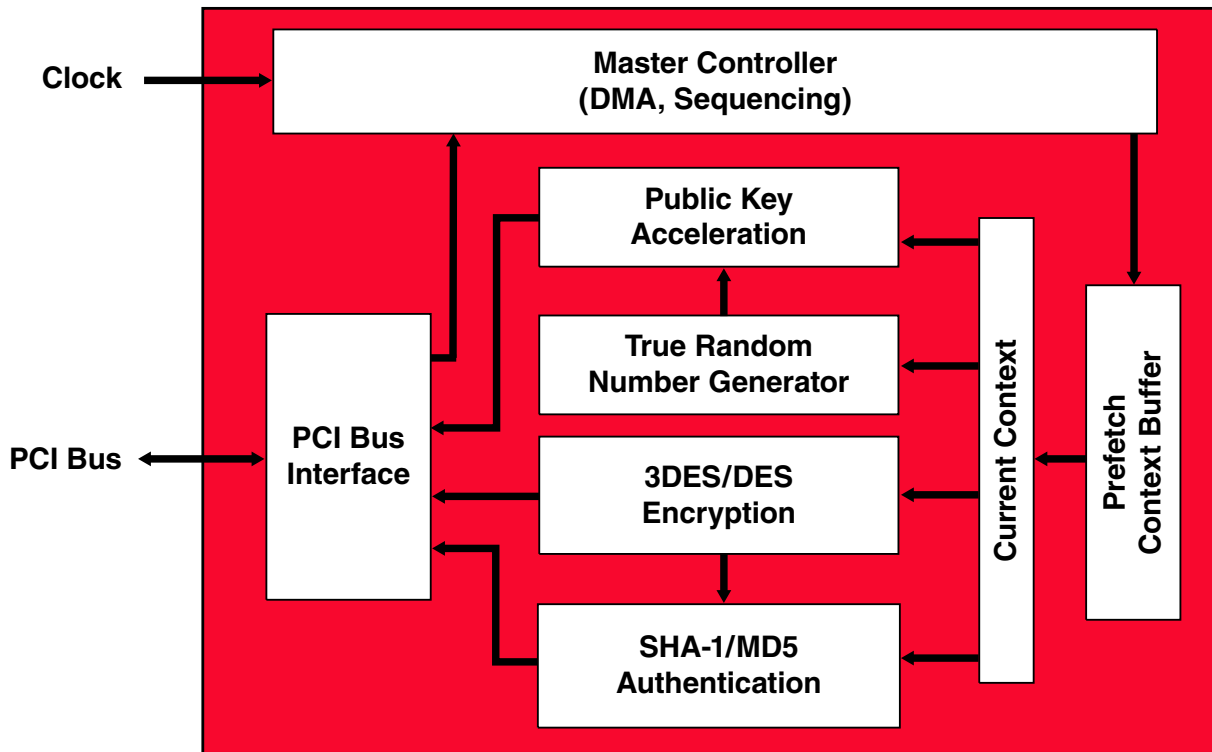
SUMMARY OF BENEFITS

- **Highly integrated security processor**
 - Single-chip IPSec, IKE, SSL/TLS accelerator
 - Multi-threaded DMA engine
 - True hardware random number generator
 - On-chip context buffer memory
 - Lowest system cost
- **Sustainable performance in real-world conditions**
 - DMA supports multi-packet processing
 - Prefetch of new context and packet
- **Flexible, easy-to-use PCI 2.2 interface**
 - No external components required
 - Ideal for low-cost, add-in card applications
 - Compatible with all existing PC systems
- **Whole product solution minimizes time-to-market**
 - Software Reference Library (SRL) includes a hardware abstraction software layer
 - Compatible with industry-standard SSH IPSec and IKE software
 - Compatible with OpenSSL

SOHO VPN System Diagram



OVERVIEW



BCM5802 Block Diagram

The BCM5802 security processor integrates Broadcom's IPsec engine (DES, 3DES, HMAC-SHA-1, HMAC-MD5), public-key processor, true random number generator, PCI interface, and context buffer memory onto a single chip. The BCM5802 security processor is an ideal solution for DSL modems and VPN-enabled networking products such as SOHO routers, gateways, and VPN appliances.

The BCM5802 combines performance and cost optimization for applications requiring hardware assist for MIPS-intensive IPsec and IKE processing. Accelerating bulk cryptographic functions (DES, 3DES, SHA-1, and MD5) and public-key operations, the BCM5802 includes extensive hardware support for processing intensive public-key operations and minimizes the user software required for IKE and SSL/TLS key negotiations.

The BCM5802 provides 100-Mbps performance and in excess of 30 Diffie-Hellman key exchanges per second (1024-bit public key, 180-bit private key). IPsec performance is measured "in-system" on outbound packets, with new security associations per packet.

A true hardware random number generator on the BCM5802 is well suited for IV seeding and secret key generation.

The BCM5802 device's PCI interface makes it a perfect solution for all cost-sensitive security applications. Requiring no external components, the BCM5802 is ideal for add-in card applications requiring IPsec acceleration. Unlimited security association (SA) support via system memory and a multi-threaded DMA engine utilizes system memory to maximize throughput in real-world applications. The ability to prefetch packet contexts minimizes the performance degradation when processing small packets.

Application program interface (API) support through Broadcom's Software Reference Library (SRL) for IPsec and SSL application software offers BCM5802 users a complete system solution. Compatibility with OpenSSL and industry-standard IPsec software from SSH Communications eases integration and reduces time-to-market.

Broadcom[®], the pulse logo, **Connecting everything**[®], and the Connecting everything logo are among the trademarks of Broadcom Corporation and/or its affiliates in the United States, certain other countries and/or the EU. Any other trademarks or trade names mentioned are the property of their respective owners.

Connecting
everything[®]



BROADCOM CORPORATION
16215 Alton Parkway, P.O. Box 57013
Irvine, California 92619-7013

© 2006 by BROADCOM CORPORATION. All rights reserved.

5802-PB05-R 04/19/06

Phone: 949-450-8700
Fax: 949-450-8710
E-mail: info@broadcom.com
Web: www.broadcom.com