



48-Port GbE + Optional 2-Port GbE Highly Integrated Multilayer Switch SOC

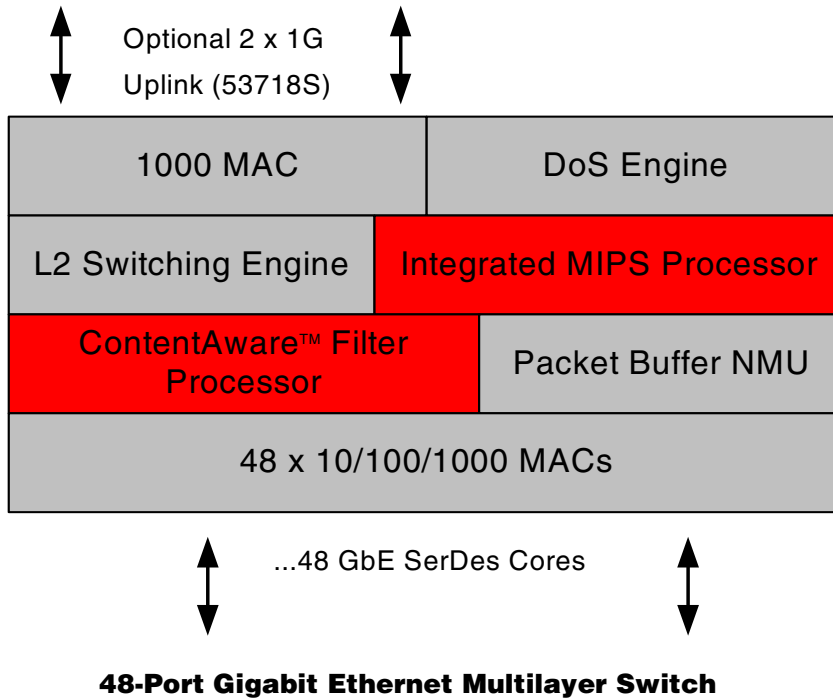
FEATURES

- Highest silicon integration level achieved for a 48-port, 10/100/1000 Mbps Ethernet switch device
- Optional two 1 GbE Uplink ports (53718S)
- Tenth-generation switch-on-a-chip (SoC)
- Integrated MACs (IEEE 802™. x compliant) with support for 9216-byte jumbo frames
- Integrated SGMII/SerDes interfaces
- Non-blocking Gigabit Ethernet fully integrated switch fabric with 4-Mbit packet buffer memory
- Integrated high-performance MIPS® processor for Web Smart™ applications
- Packet classification using four IEEE 802.1p Quality of Service (QoS) or DiffServ/TOS priority queues
- Supports 4K IEEE 802.1Q VLAN
- Supports up to 8K unicast MAC addresses
- Supports MAC-based port aggregation (trunking)
- Supports Access Control List (ACL) host table
- Full- (IEEE 802.3x) and half-duplex flow control
- Supports automatic address learning and aging
- Supports Spanning Tree and Rapid Spanning Tree
- Supports IEEE 802.1x MAC security
- Port-based rate control with 1 Mbps granularity
- Low-power 0.13 μm CMOS core
- Power dissipation 8.1W
- 1292-Pin Flip-Chip Ball Grid Array (FCBGA) Package

SUMMARY OF BENEFITS

- Single chip switch (SoC) optimized for the value driven small and medium-size business (SMB) market
- Bill of Material (BOM) optimized with integrated CPU
- Wirespeed performance
- Eight flexible Class of Service (CoS) queues per port assure the lowest latency to high-priority traffic. This supports a wide variety of delay-sensitive video and audio multicast applications.
- IEEE 802.3ad link aggregation increases effective bandwidth and provides link redundancy.
- Storm and bandwidth/rate control provide improved traffic profile management.
- Internet Protocol Version (IPv6) support provides future proofing.
- Supports essential features for access applications
- Includes Broadcom's WebSuperSmart™ software, an advanced Web-based network management solution
- Includes advanced security and ease-of-use features such as Auto-DoS, Auto-VoIP, and Auto-ACL

BCM53718/BCM53718S OVERVIEW



The BCM53718 series is a complete L2 SoC solution for easy and rapid development of Gigabit switching applications. The BCM53718 series uses a WebSuperSmart graphical user interface (GUI) for system configuration of supported features. The BCM53718 integrates 48 configurable 1-Gbps ports or 10-Mbps/100-Mbps Ethernet ports, with the BCM53718S adding support for two Gigabit uplink ports.

The BCM53718 series is a highly integrated solution ideally suited for stand-alone Gigabit Ethernet switches. It combines all the functions of a high-speed switch system, including packet buffers, SerDes, media access controllers, address management, a non-blocking switch fabric, and integrated high-performance CPU into a single 0.13 µm CMOS device. The BCM53718 series supports auto-DoS attack prevention and SNMP, IEEE 802.1x, Spanning Tree, and Rapid Spanning Tree protocols.

The BCM53718 switch:

- Integrates internal memory in the Common Buffer Pool (CBP) for packet buffering.
- Provides 48-full-duplex GbE ports that interface to external physical layer devices via the SerDes or SGMII interface. The GbE ports support both copper and fiber media.

- Provides additional 2 x 1 GbE uplink ports for BCM53718S.
- Supports a Broadcom serial control (BSC) controller for communicating with external devices such as serial EEPROM, flash PROM memories, and parallel port devices.
- Supports a serial interface for the MII management of physical layer devices.
- Supports an integrated MIPS processor for management functions with a DDR memory controller, a CMIC for switch access, parallel flash interface for booting, two serial UART interfaces, and eight GPIO pins.
- Contains memory required to host L2 switching tables.
- Supports VLAN double tagging via Gigabit ports.
- Supports advanced QoS shaping for service provider networks.
- Integrates sophisticated metering, statistics, and traffic management features, optimizing the QoS for voice, video, and data convergence.

Ordering information:

- BCM53718 (48 GbE + integrated CPU)
- BCM53718S (48 GbE + 2 GbE Uplinks + integrated CPU)

For additional ordering information, contact your Broadcom sales representative.

Broadcom®, the pulse logo, Connecting everything®, and the Connecting everything logo are among the trademarks of Broadcom Corporation and/or its affiliates in the United States, certain other countries and/or the EU. Any other trademarks or trade names mentioned are the property of their respective owners.

Connecting
everything®



BROADCOM CORPORATION
16215 Alton Parkway, P.O. Box 57013
Irvine, California 92619-7013

© 2006 by BROADCOM CORPORATION. All rights reserved.

53718_53718S-PB00-R 08/17/06

Phone: 949-450-8700
Fax: 949-450-8710
E-mail: info@broadcom.com
Web: www.broadcom.com