



112 Gbps MULTILAYER ETHERNET SWITCH

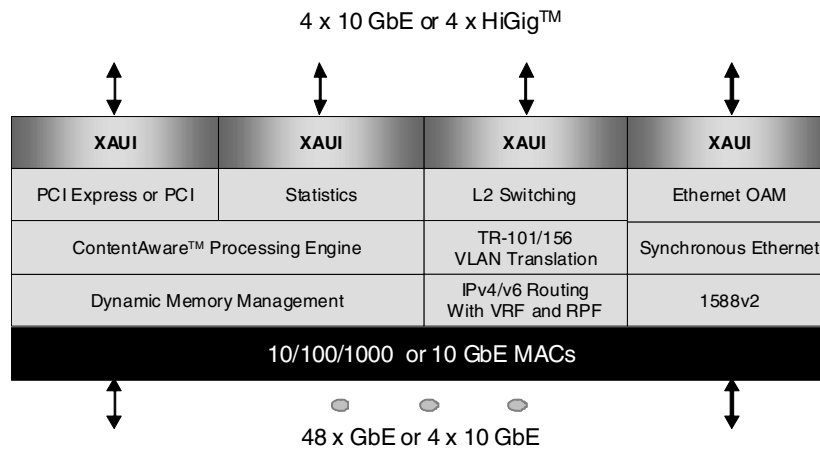
FEATURES

- Seventh Generation of Broadcom® Switch Technology, supporting switching and routing
- Nonblocking architecture, line rate for all packet sizes
- Port configurations tailored for highly integrated modular system line cards
- Latest Carrier Ethernet transport protocols: MPLS/VPLS and 802.1ah (PBB)
- Unified Wireless/Wireline Switching, supporting CAPWAP tunneling and multiple mobility models
- TR-101/156 compliant VLAN translation
- Control plane offload of 802.1ag CCM: message initiation and fault monitoring in hardware
- Broadcom time synchronization suite: 1588v2 hardware support, G.8261-compliant Synchronous Ethernet, and the BroadSync™ interface
- Forwarding table expansion via an optional external TCAM
- Broadcom Flexport technology for XAUI™/SGMII configuration options

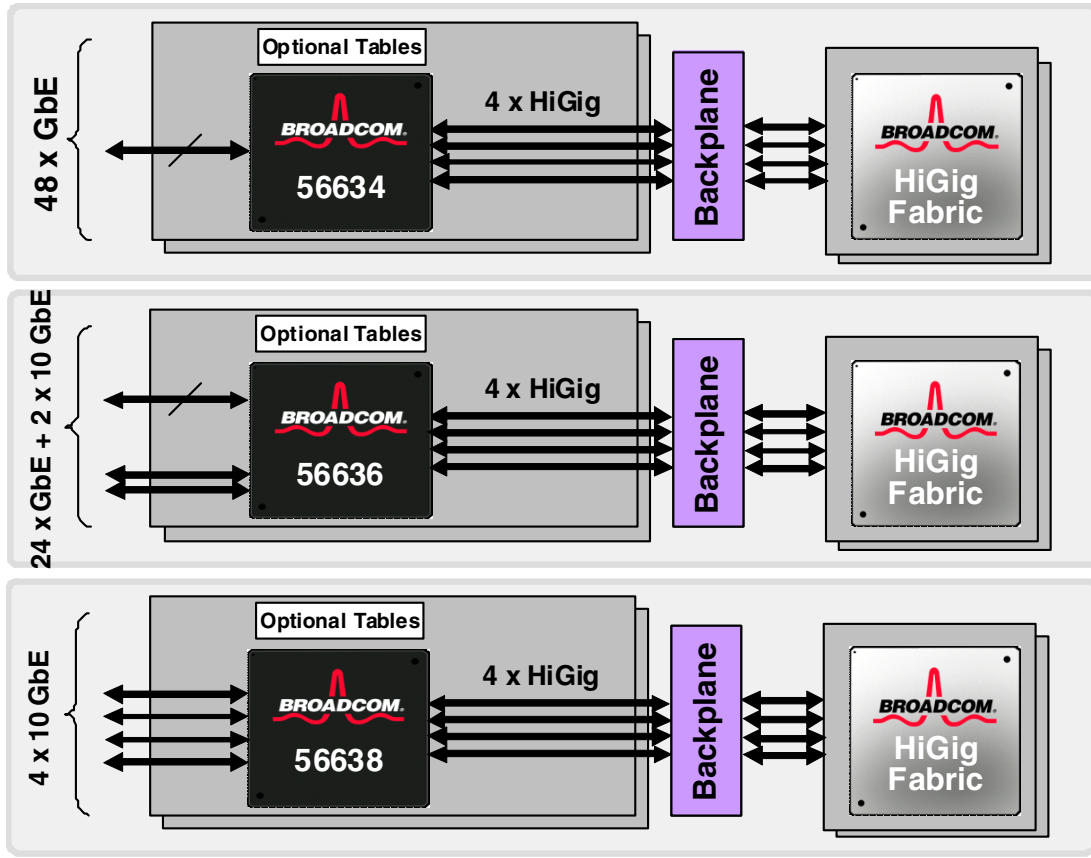
SUMMARY OF BENEFITS

- Highly integrated aggregation layer solution for service provider and enterprise modular and fixed configuration systems
- Delivers the most popular existing and emerging transport protocols in a flexible implementation for protocol bridging applications
- Supports virtually all QinQ network architectures with comprehensive VLAN manipulations
- Hardware-based Ethernet OA&M support for guaranteed performance; completely alleviates software support of high-bandwidth functions
- Time synchronization suite provides all the tools necessary to deliver systems for new timing-aware applications like mobile backhaul
- Dynamic memory technology delivers optimum usage of packet buffer resources
- Broadcom's Flexports provide on-the-fly transition from 10 GbE to 4 x SGMII
- Leverages Broadcom's unified API for software reuse and faster time-to-market

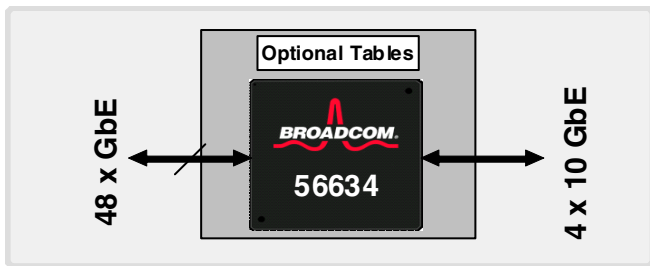
112 Gbps Integrated Multilayer Ethernet Switch



OVERVIEW



Modular Ethernet Line Cards



Single-Chip 48 x GbE + 4 x 10 GbE Fixed Switch

The BCM56630 is Broadcom's seventh generation of the StrataXGS® product line. It is a highly integrated multilayer switch designed to address new and emerging Service Provider and enterprise networking applications.

Broadcom®, BroadSync™, ContentAware™, StrataXGS®, HiGig™, HiGig2™, the pulse logo, Connecting everything®, and the Connecting everything logo are among the trademarks of Broadcom Corporation and/or its affiliates in the United States, certain other countries and/or the EU. Any other trademarks or trade names mentioned are the property of their respective owners.

Connecting
everything®

BROADCOM CORPORATION

5300 California Avenue
Irvine, California 92617

© 2009 by BROADCOM CORPORATION. All rights reserved.

56630-PB00-R 11/13/09

The BCM56630 offers the right combination of cost-effective Ethernet switch technology with the ability to deliver outstanding system solutions for mobile and broadband aggregation equipment. With the ability to dramatically scale the forwarding resources, the BCM56630 can serve a wide variety of roles in the aggregation network, from the access layer to the services edge.

Ordering information and configurations appear in the following table.

Part Number	10/100/1000 Ports	XAUI/HiGig2™ Ports
BCM56630	24	4
BCM56634	48	4
BCM56636	24	6
BCM56638	n/a	8
BCM56639	24	8



Phone: 949-926-5000

Fax: 949-926-5203

E-mail: info@broadcom.com

Web: www.broadcom.com