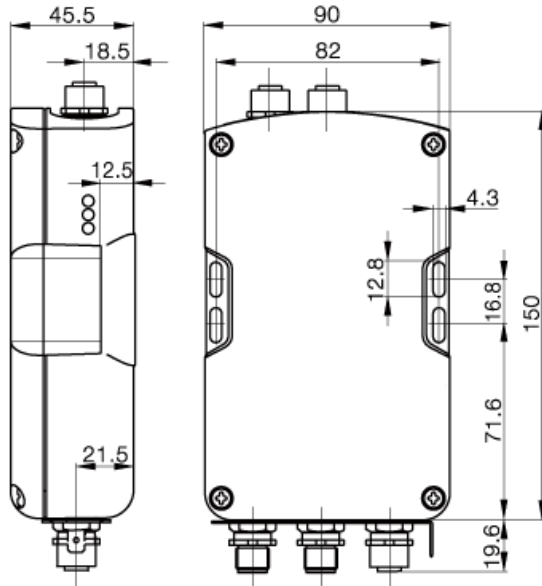


PI0273



Electrical data:

Connection	3 Connectors 5-pin round
Ripple	<10%
Interface/Software	DeviceNet
Supply Voltage	24 DC \pm 20% V
Current draw	<400mA

General data:

Connection	2 read/write heads BIS
Function	M-3__ read/write

Mechanical data:

Read/Write Head ports	2 external
Operating temperature	0...50 °C
Storage temperature	0...50 °C
Size	150x90x45, 5 mm