

## SPDT SWITCH GaAs MMIC

### ■GENERAL DESCRIPTION

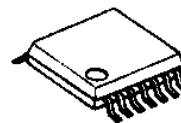
NJG1512V is a GaAs SPDT switch IC featuring high isolation and low insertion loss.

This switch allows low operating voltage from 2.5V at the wide frequency range from 1MHz to 3GHz.

NJG1512V is suitable to switch the synthesizer signals between transmit and receiving circuit.

A very small SSOP package is adopted.

### ■PACKAGE OUTLINE



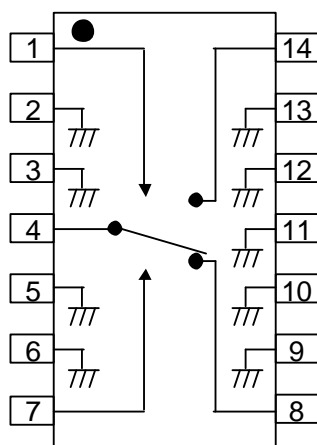
NJG1512V

### ■FEATURES

- Single, low voltage control +2.5~+5.5V
- High isolation 46dB typ. @f=0.05~2GHz, P<sub>in</sub>=0dBm
- Low insertion loss 0.8dB typ. @f=2GHz, P<sub>in</sub>=0dBm
- Low current consumption 2uA typ. @f=0.05~2.5GHz, P<sub>in</sub>=10dBm
- Package SSOP14 (Mount Size: 6.4x5.0x1.25mm)

### ■PIN CONFIGURATION

V Type  
(Top View)



Pin Connection

1. V<sub>CTR2</sub>
2. GND
3. GND
4. PC
5. GND
6. GND
7. V<sub>CTR1</sub>
8. P1
9. GND
10. GND
11. GND
12. GND
13. GND
14. P2

### ■TRUTH TABLE

“H”=V<sub>CTR</sub> (H), “L”=V<sub>CTR</sub> (L)

V <sub>CTR1</sub>	H	L	L	H
V <sub>CTR2</sub>	L	H	L	H
PC-P1	OFF	ON	*1	
PC-P2	ON	OFF		

\*1) Combinations of V<sub>CTR1</sub>/V<sub>CTR2</sub>=L/L, H/H are not available.

# NJG1512V

## ■ABSOLUTE MAXIMUM RATINGS

( $T_a=25^\circ\text{C}$ ,  $Z_s=Z_l=50\Omega$ )

PARAMETER	SYMBOL	RATINGS	UNITS
Input Power	$P_{in}$	27	dBm
Control Voltage	$V_{CTR}$	6.0	V
Power Dissipation	$P_D$	600	mW
Operating Temp.	$T_{opr}$	-20~+85	$^\circ\text{C}$
Storage Temp.	$T_{stg}$	-40~+150	$^\circ\text{C}$

## ■ELECTRICAL CHARACTERISTICS 1

(TEST CIRCUIT 1:  $V_{CTR(L)}=0\text{V}$ ,  $V_{CTR(H)}=2.7\text{V}$ ,  $Z_s=Z_o=50\Omega$ ,  $T_a=25^\circ\text{C}$ )

PARAMETER	SYMBOL	CONDITIONS	MIN	TYP	MAX	UNITS
Control voltage (L)	$V_{CTR(L)}$	$f=0.05\sim 2.5\text{GHz}$ , $P_{in}=10\text{dBm}$	-0.2	0	0.2	V
Control voltage (H)	$V_{CTR(H)}$	$f=0.05\sim 2.5\text{GHz}$ , $P_{in}=10\text{dBm}$	2.5	2.7	5.5	V
Control current	$I_{CTR}$	$f=0.05\sim 2.5\text{GHz}$ , $P_{in}=10\text{dBm}$	-	2.0	4.0	$\mu\text{A}$
Isolation	ISL1	$f=0.05\sim 2.0\text{GHz}$ , $P_{in}=0\text{dBm}$	43	46	-	dB
Insertion loss 1	LOSS1	$f=1.0\text{GHz}$ , $P_{in}=0\text{dBm}$	-	0.6	1.0	dB
Insertion loss 2	LOSS2	$f=2.0\text{GHz}$ , $P_{in}=0\text{dBm}$	-	0.8	1.2	dB
Pin at 1dB compression point	$P_{-1\text{dB}}$	$f=2.0\text{GHz}$	19.0	22.0	-	dBm
VSWR	VSWR	$f=0.05\sim 2.5\text{GHz}$ , ON STATE	-	1.2	1.8	
Switching time	$T_{SW}$	$f=0.05\sim 2.5\text{GHz}$	-	8	-	ns

## ■ELECTRICAL CHARACTERISTICS 2

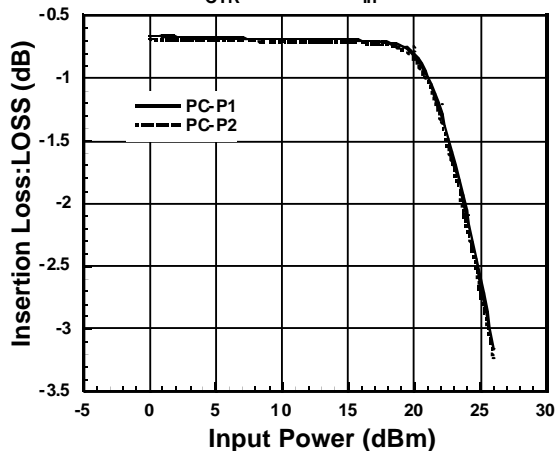
(TEST CIRCUIT 2:  $V_{CTR(L)}=0\text{V}$ ,  $V_{CTR(H)}=2.7\text{V}$ ,  $Z_s=Z_o=50\Omega$ ,  $T_a=25^\circ\text{C}$ )

PARAMETER	SYMBOL	CONDITIONS	MIN	TYP	MAX	UNITS
Isolation 2	ISL2	$f=1\sim 100\text{MHz}$ , $P_{in}=0\text{dBm}$	-	55	-	dB
Insertion loss 3	LOSS3	$f=1\sim 100\text{MHz}$ , $P_{in}=0\text{dBm}$	-	0.5	-	dB

## TYPICAL CHARACTERISTICS

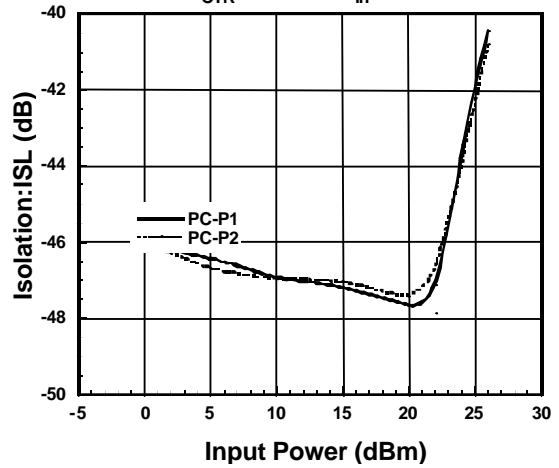
**$P_{in}$  vs. Insertion Loss**

( $V_{CTR}=0V/2.7V, f_{in}=2GHz$ )



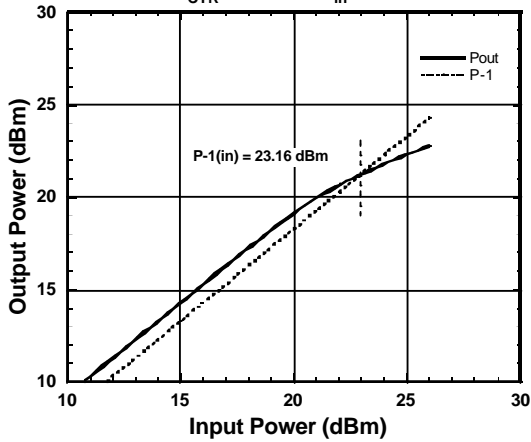
**$P_{in}$  vs. Isolation**

( $V_{CTR}=0V/2.7V, f_{in}=2GHz$ )



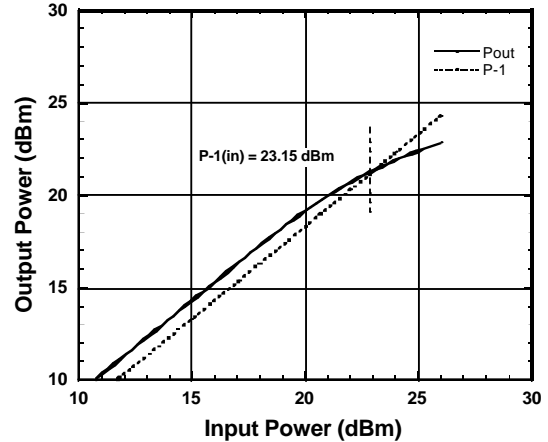
**(PC-P1)  $P_{in}$  vs.  $P_{out}$**

( $V_{CTR}=0V/2.7V, f_{in}=2.0GHz$ )



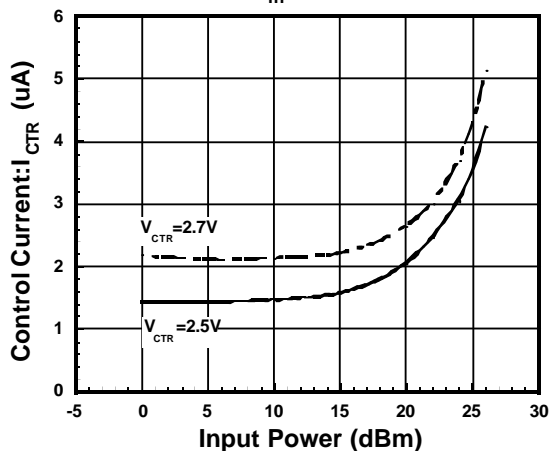
**(PC-P2)  $P_{in}$  vs.  $P_{out}$**

( $V_{CTR}=0V/2.7V, f_{in}=2.0GHz$ )



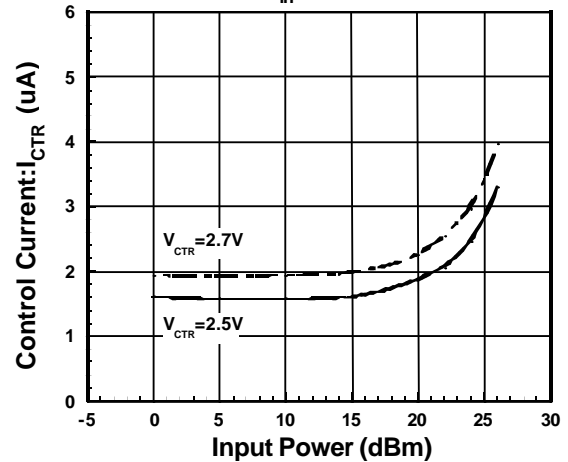
**(PC-P1)  $P_{in}$  vs.  $I_{CTR}$**

( $f_{in}=2GHz$ )



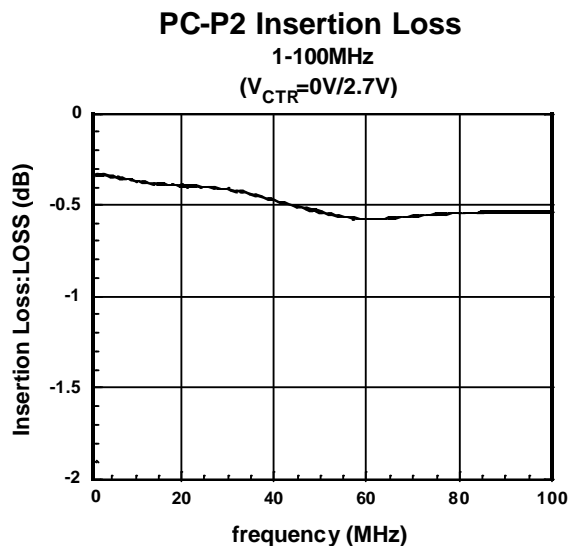
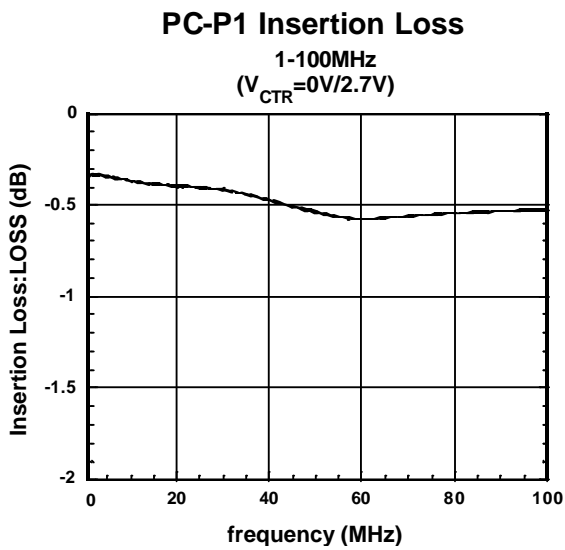
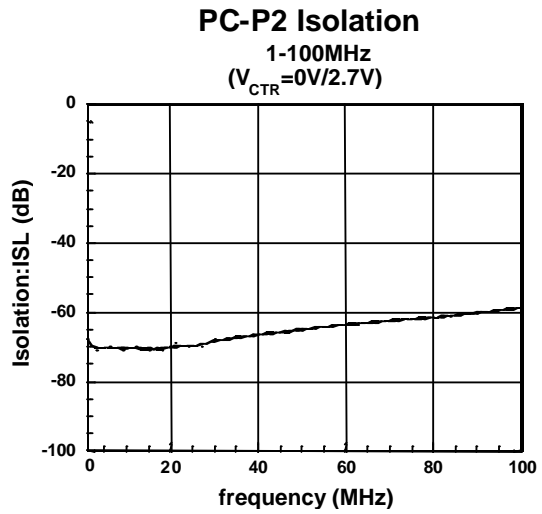
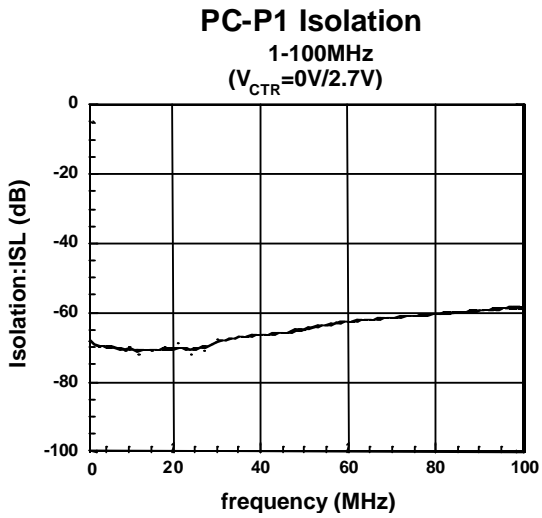
**(PC-P2)  $P_{in}$  vs.  $I_{CTR}$**

( $f_{in}=2GHz$ )



# NJG1512V

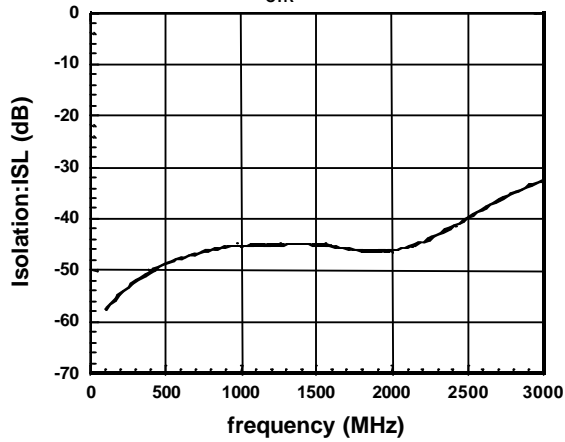
## TYPICAL CHARACTERISTICS



## ■ TYPICAL CHARACTERISTICS

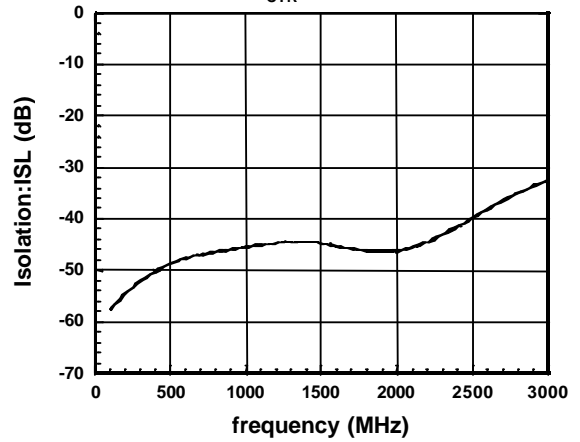
**PC-P1 Isolation**

0.1-3GHz  
( $V_{CTR}=0V/2.7V$ )



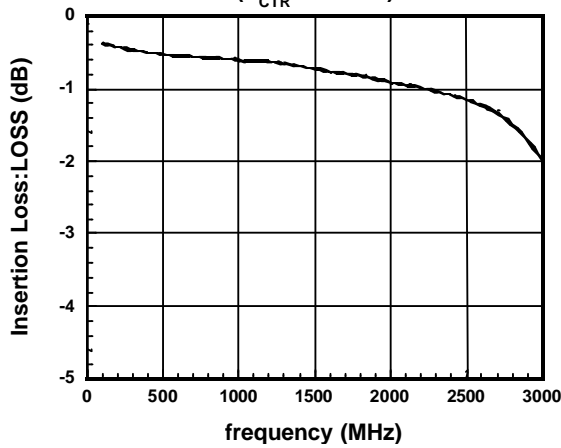
**PC-P2 Isolation**

0.1-3GHz  
( $V_{CTR}=0V/2.7V$ )



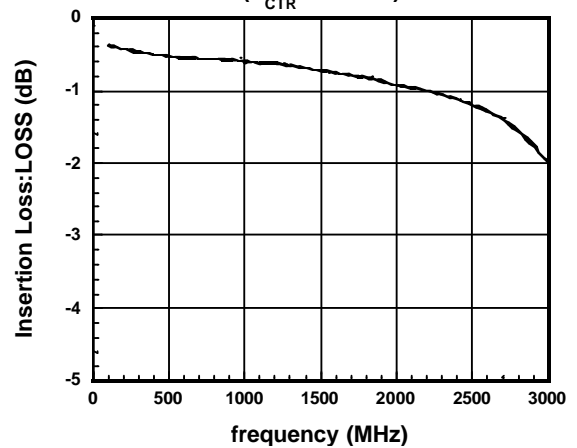
**PC-P1 Insertion Loss**

0.1-3GHz  
( $V_{CTR}=0V/2.7V$ )



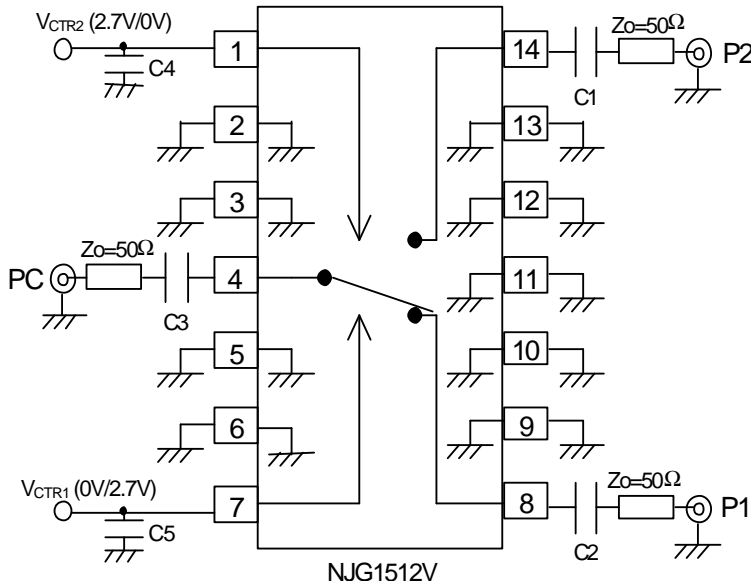
**PC-P2 Insertion Loss**

0.1-3GHz  
( $V_{CTR}=0V/2.7V$ )



# NJG1512V

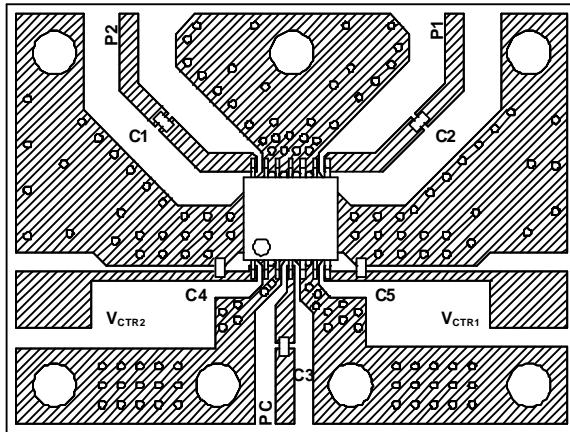
■APPLICATION CIRCUIT: Single control signal operation by using C-MOS inverter  
(frequency range: 0.1~2.0GHz)



	Test circuit 1 0.5~2GHz	Test circuit 2 1~500MHz
C1~C3	56pF	0.1uF
C4, C5	10pF	1000pF

## ■RECOMMENDED PCB DESIGN

(TOP VIEW)

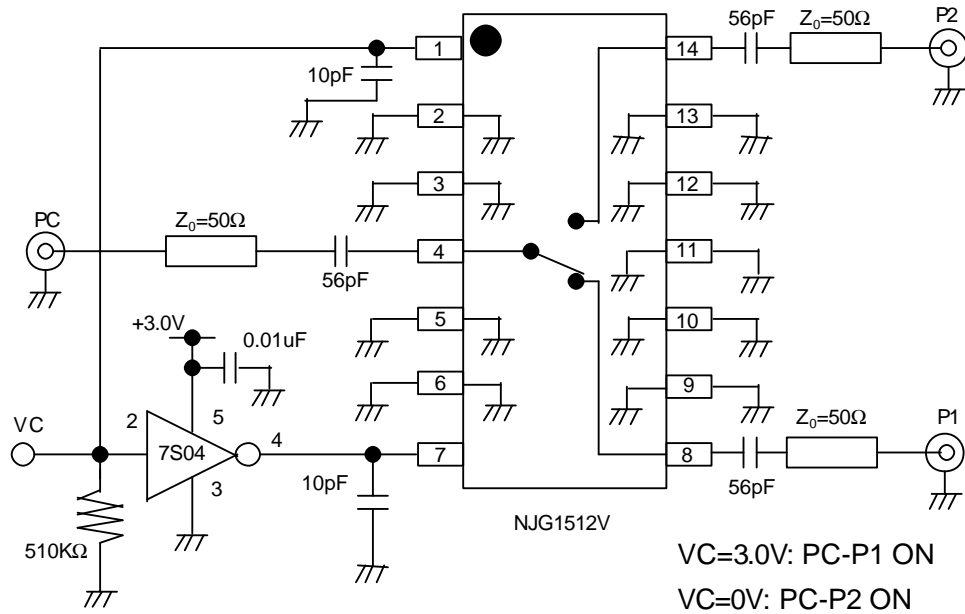


PCB SIZE=30.0x22.5mm  
PCB: FR-4, t=0.5mm  
STRIPLINE WIDTH =1mm  
CAPACITOR: size 1005

## PRECAUTIONS

- [1] The external capacitors should be connected to the input and output RF terminals (P<sub>1</sub>, P<sub>2</sub>, P<sub>C</sub>) to block DC current. Please use a 0.01uF capacitor at 50 to 100MHz, a 0.1uF capacitor at 100 to 500MHz, and 56pF at 500MHz to 2.0GHz.
- [2] To avoid coupling between terminals, the capacitors have to be placed at the control terminals (V<sub>CTR1</sub>, V<sub>CTR2</sub>) as close as possible. The capacitor values of 0.01uF at 50 to 100MHz, 100pF at 100 to 500MHz, and 10pF at 500MHz to 2GHz are desired. In general, the switching time is depend on the capacitor values, so please be careful choosing capacitor values.
- [3] For good isolation characteristics, the ground terminals (2, 3, 5, 6, 9~13 pin) should be directly connected to the ground patterns and through-holes as close as possible using relatively wide patterns.

■ **APPLICATION CIRCUIT 1:** Single control signal operation by using C-MOS inverter  
(frequency: 0.1~2.0GHz)

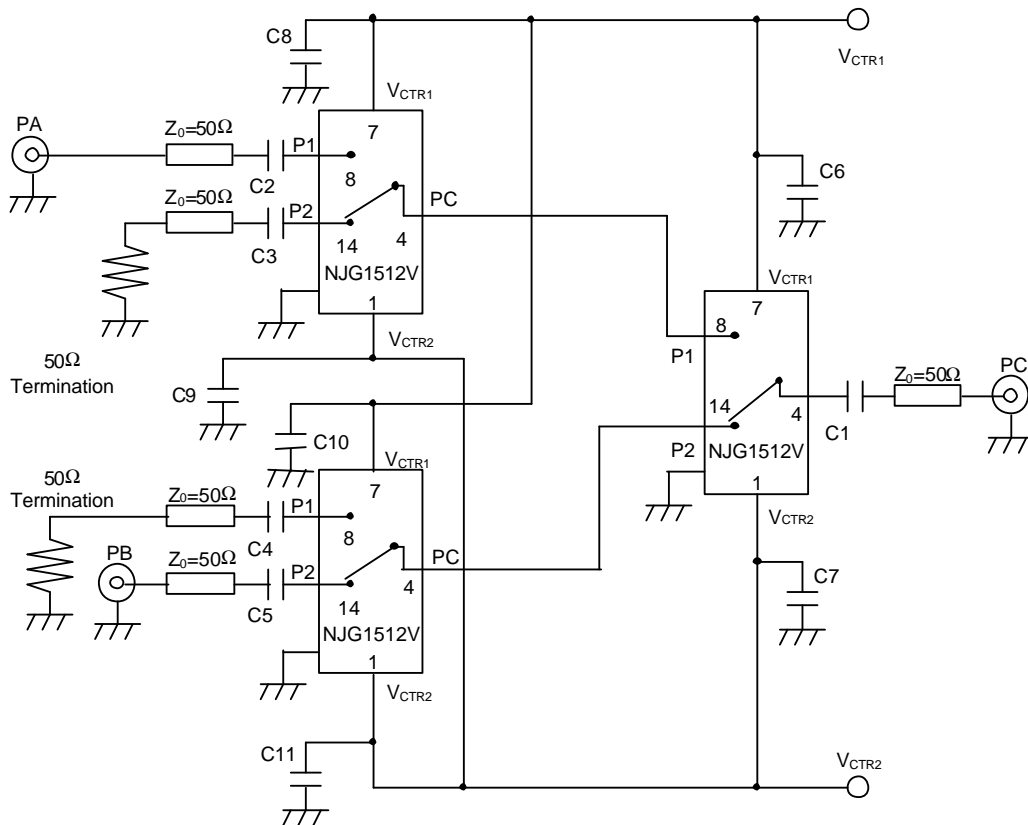


- [1] Please connect the bypass capacitor to the power supply terminal of the C-MOS inverter.
- [2] In order to stabilize the input impedance of inverter, the input terminal of the C-MOS inverter should be pulled down by the resistor of 510KΩ to the ground plane.

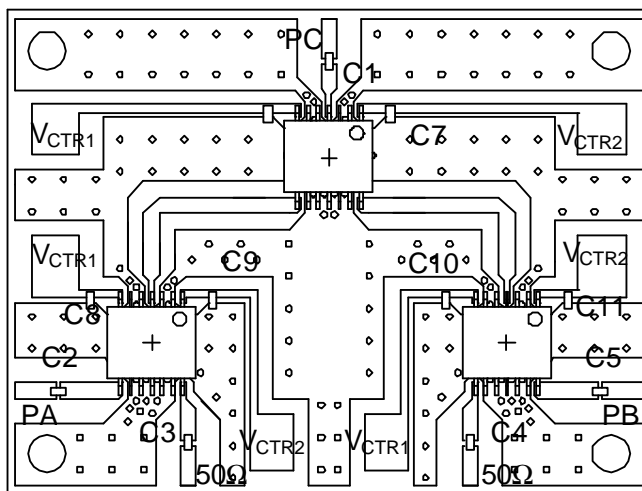
# NJG1512V

## APPLICATION CIRCUIT 2: High Isolation SPDT Switch

(PA to PC, PB to PC, and PA to PB Isolation are greater than 70dB@fin=0.7~2GHz)



## PCB DESIGN

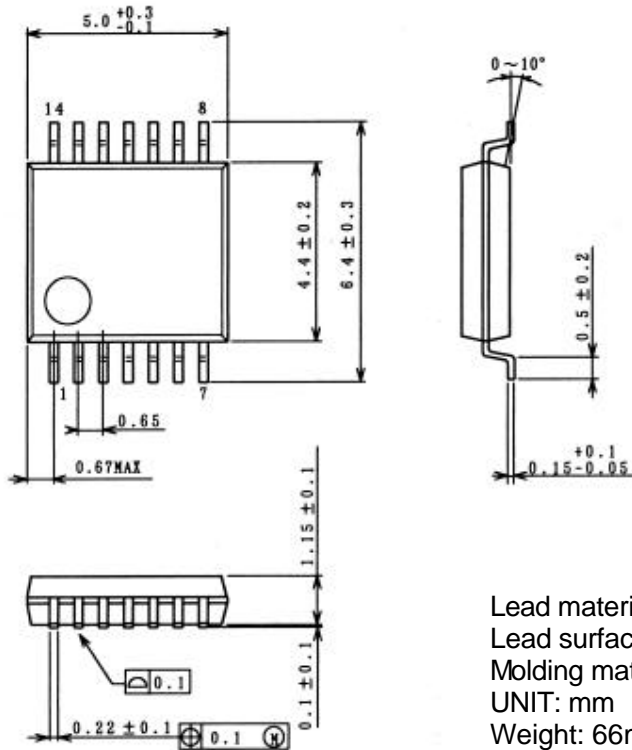


PCB SIZE=40.0x30.0mm  
 PCB: FR-4 t=0.5mm  
 STRIPLINE WIDTH=1mm  
 CAPACITOR: size 1005  
 C1~C5: 56pF  
 C6~C11: 10pF

NOTE: As shown in the schematic above, the two 50Ω ports should be terminate externally.



## ■PACKAGE OUTLINE (SSOP14)



Lead material: Copper  
 Lead surface finish: Solder plating  
 Molding material: Epoxy resin  
 UNIT: mm  
 Weight: 66mg

### Cautions on using this product

This product contains Gallium-Arsenide (GaAs) which is a harmful material.

- Do NOT eat or put into mouth.
- Do NOT dispose in fire or break up this product.
- Do NOT chemically make gas or powder with this product.
- To waste this product, please obey the relating law of your country.

This product may be damaged with electric static discharge (ESD) or spike voltage. Please handle with care to avoid these damages.

### [CAUTION]

The specifications on this databook are only given for information, without any guarantee as regards either mistakes or omissions. The application circuits in this databook are described only to show representative usages of the product and not intended for the guarantee or permission of any right including the industrial rights.