

NJG1550F

■ABSOLUTE MAXIMUM RATINGS

($T_a=25^{\circ}\text{C}$, $Z_s=Z_l=50\Omega$)

PARAMETERS	SYMBOL	CONDITIONS	RATINGS	UNITS
Mixer Supply Voltage	V_{MIX}		5	V
Local Amplifier Supply Voltage	V_{DD}		5	V
Mixer RF Input Power	P_{RFIN}	$V_{\text{MIX}}=2.7\text{V}$, $V_{\text{LO}}=2.7\text{V}$	10	dBm
Mixer LO Input Power	P_{LOIN}	$V_{\text{MIX}}=2.7\text{V}$, $V_{\text{LO}}=2.7\text{V}$	10	dBm
Power Dissipation	P_{D}		150	mW
Operating Temp.	T_{opr}		-30~+85	$^{\circ}\text{C}$
Storage Tempe.	T_{stg}		-40~+150	$^{\circ}\text{C}$

■RECOMMENDED OPERATING RANGE

PARAMETER	SYMBOL	MIN	TYP	MAX	UNITS
Mixer Supply Voltage	V_{MIX}	2.5	2.7	4.5	V
Local Amplifier Supply Voltage	V_{LO}	2.5	2.7	4.5	V

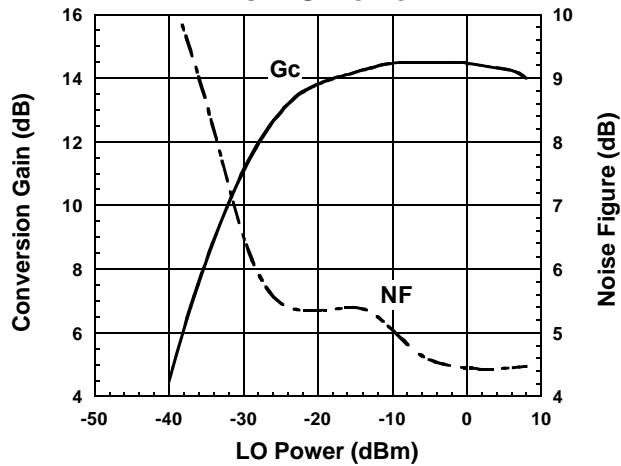
■ELECTRICAL CHARACTERISTICS

($T_a=25^{\circ}\text{C}$, $V_{\text{MIX}}=2.7\text{V}$, $V_{\text{LO}}=2.7\text{V}$, $f_{\text{IF}}=130\text{MHz}$, $P_{\text{LO}}=-10\text{dBm}$)

PARAMETERS	SYMBOL	CONDITIONS	MIN	TYP	MAX	UNITS
Mixer Current	I_{MIX}	$P_{\text{RF}}=\text{OFF}$, $P_{\text{LO}}=\text{OFF}$	-	3.0	4.5	mA
Local Amplifier Current	I_{LO}	$P_{\text{RF}}=\text{OFF}$, $P_{\text{LO}}=\text{OFF}$	-	1.5	2.3	mA
Conversion Gain	G_{C}	$f_{\text{RF}}=820\text{MHz}$, $P_{\text{RF}}=-30\text{dBm}$ $f_{\text{LO}}=690\text{MHz}$	11.0	14.0	-	dB
Input 3rd Order Intercept Point	IIP3	$f_{\text{RF}}=820.0\text{MHz}+820.1\text{MHz}$ $f_{\text{LO}}=690\text{MHz}$	-	-6.0	-	dBm
Noise Figure	NF	$f_{\text{RF}}=820\text{MHz}$ $f_{\text{LO}}=690\text{MHz}$	-	5.0	6.0	dB

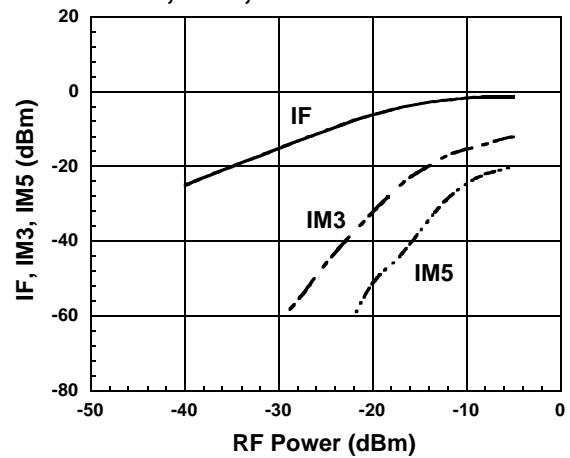
TYPICAL CHARACTERISTICS (Application 1, $f_{LO}=690\text{MHz}$)

Conversion Gain , Noise Figure vs. LO Power



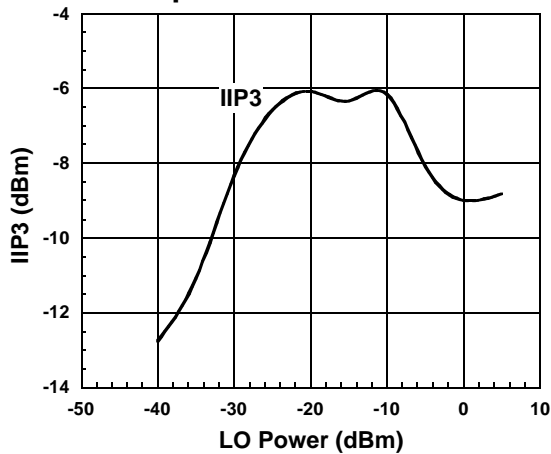
Condition
 $f_{IF}=130\text{MHz}$
 $f_{RF}=820\text{MHz}, P_{RF}=-30\text{dBm}$
 $f_{LO}=690\text{MHz}$
 $V_{MIX}=V_{LO}=2.7\text{V}$

IF , IM3 , IM5 vs. RF Power



Condition
 $f_{IF}=130\text{MHz}$
 $f_{RF1}=820.0\text{MHz}$
 $f_{RF2}=820.1\text{MHz}$
 $f_{LO}=690\text{MHz}, P_{LO}=-10\text{dBm}$
 $V_{MIX}=V_{LO}=2.7\text{V}$

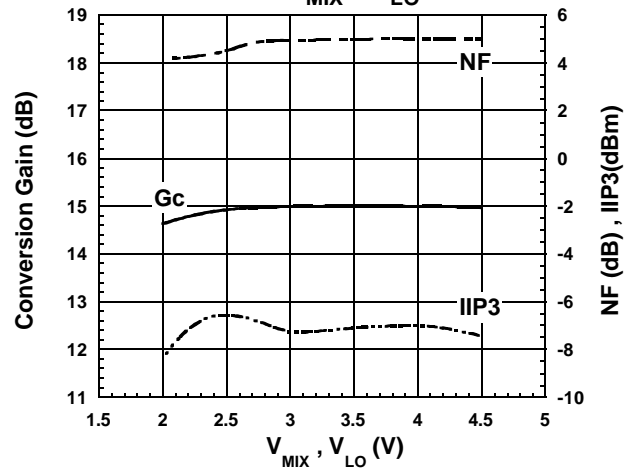
Input-IP3 vs. LO Power



Condition
 $f_{IF}=130\text{MHz}$
 $f_{RF1}=820.0\text{MHz}, P_{RF}=-30\text{dBm}$
 $f_{RF2}=820.1\text{MHz}$
 $f_{LO}=690\text{MHz}$
 $V_{MIX}=V_{LO}=2.7\text{V}$

$$IIP3 = \frac{3IF-IM3}{2} - G_c$$
 @ $P_{RF} = -30\text{dBm}$

Conversion Gain , Noise Figure , Input-IP3 vs. V_{MIX} , V_{LO}

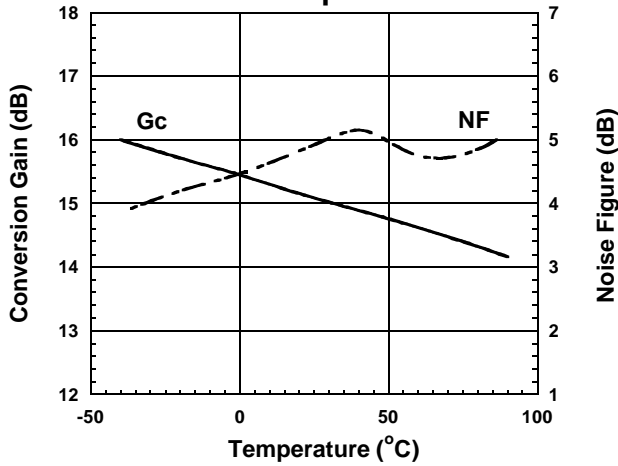


Condition
 $f_{IF}=130\text{MHz}$
 $f_{RF1}=820.0\text{MHz}, P_{RF}=-30\text{dBm}$
 $f_{RF2}=820.1\text{MHz}$
 $f_{LO}=690\text{MHz}, P_{LO}=-10\text{dBm}$

$$IIP3 = \frac{3IF-IM3}{2} - G_c$$
 @ $P_{RF} = -30\text{dBm}$

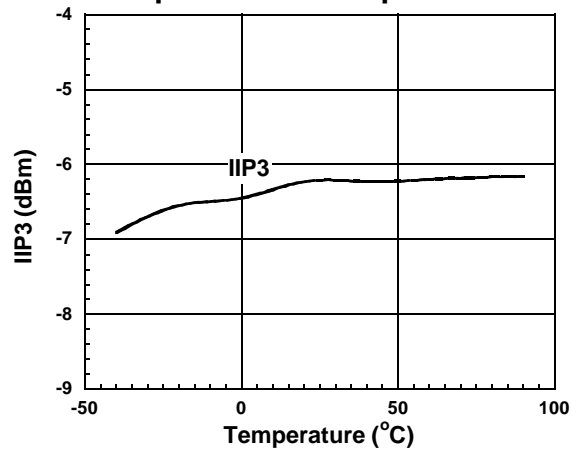
TYPICAL CHARACTERISTICS (Continued)

Conversion Gain , Noise Figure vs. Temperature



Condition
 $f_{IF}=130\text{MHz}$
 $f_{RF}=820\text{MHz}, P_{RF}=-30\text{dBm}$
 $f_{LO}=690\text{MHz}, P_{LO}=-10\text{dBm}$
 $V_{MIX}=V_{LO}=2.7\text{V}$

Input-IP3 vs. Temperature

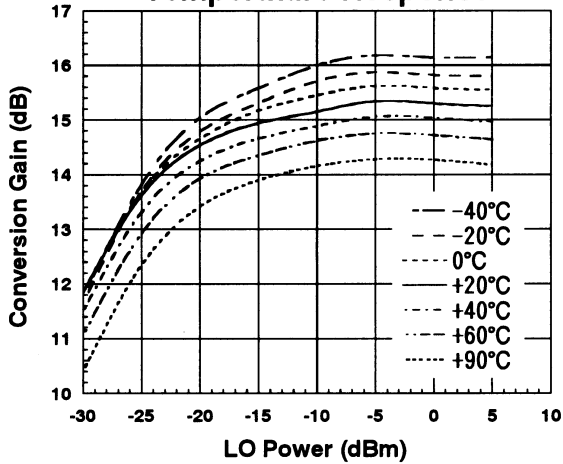


Condition
 $f_{IF}=130\text{MHz}$
 $f_{RF1}=820.0\text{MHz}, P_{RF}=-30\text{dBm}$
 $f_{RF2}=820.1\text{MHz}$
 $f_{LO}=690\text{MHz}, P_{LO}=-10\text{dBm}$
 $V_{MIX}=V_{LO}=2.7\text{V}$

$$IIP3 = \frac{3IF-IM3}{2} - G_c$$

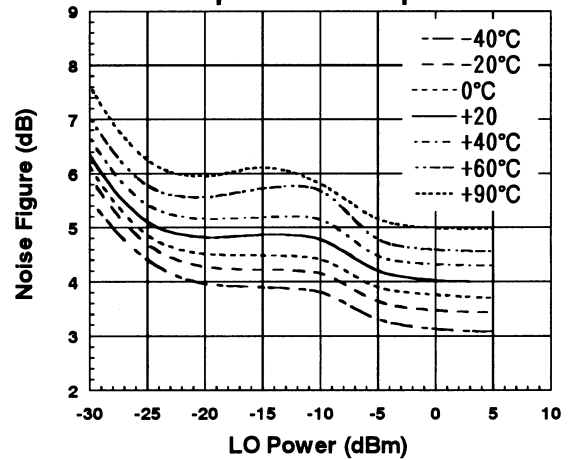
@ $P_{RF}=-30\text{dBm}$

Conversion Gain vs. LO Power Temperature Response



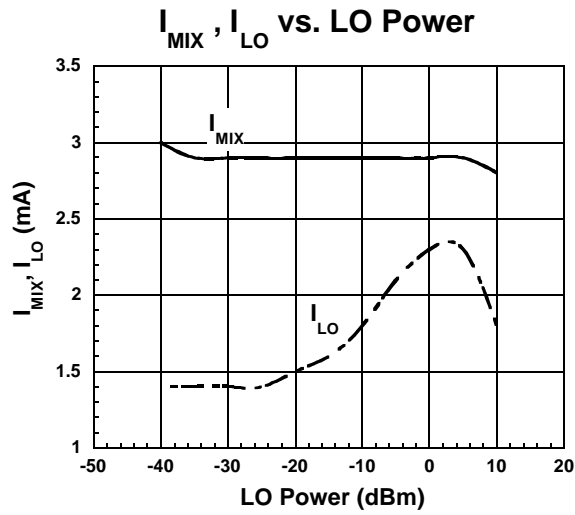
Condition
 $f_{IF}=130\text{MHz}$
 $f_{RF}=820\text{MHz}, P_{RF}=-30\text{dBm}$
 $f_{LO}=690\text{MHz}$
 $V_{MIX}=V_{LO}=2.7\text{V}$

Noise Figure vs. LO Power Temperature Response

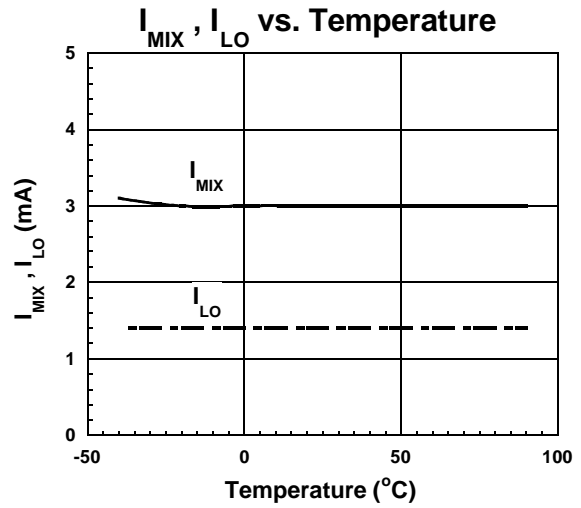


Condition
 $f_{IF}=130\text{MHz}$
 $f_{RF}=820\text{MHz}$
 $f_{LO}=690\text{MHz}$
 $V_{MIX}=V_{LO}=2.7\text{V}$

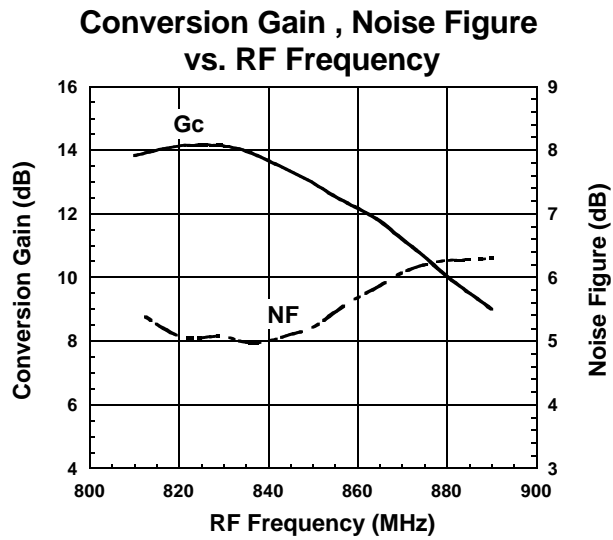
TYPICAL CHARACTERISTICS (Continued)



Condition
 $f_{RF}=820\text{MHz}$
 $P_{RF}=-30\text{dBm}$
 $f_{LO}=690\text{MHz}$
 $V_{MIX}=V_{LO}=2.7\text{V}$



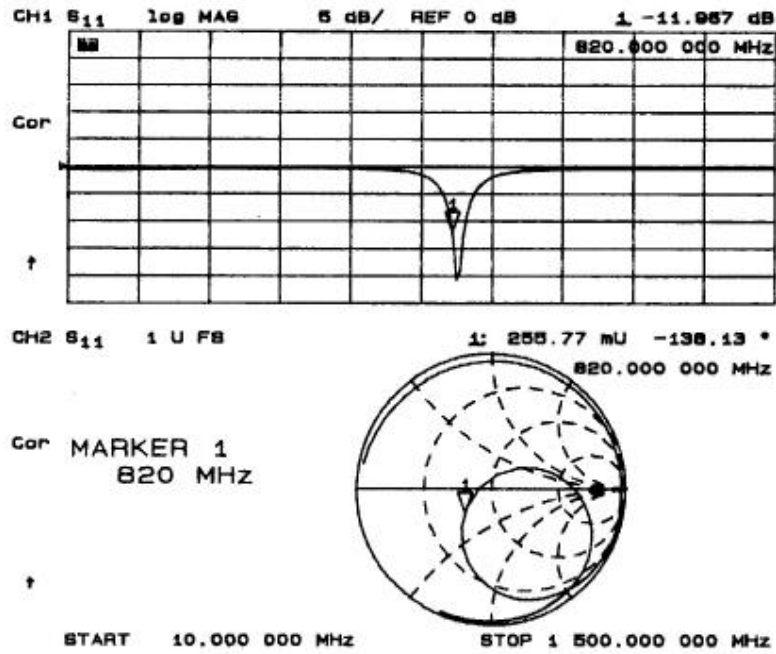
Condition
 $P_{RF}=\text{OFF}$
 $P_{LO}=\text{OFF}$
 $V_{MIX}=V_{LO}=2.7\text{V}$



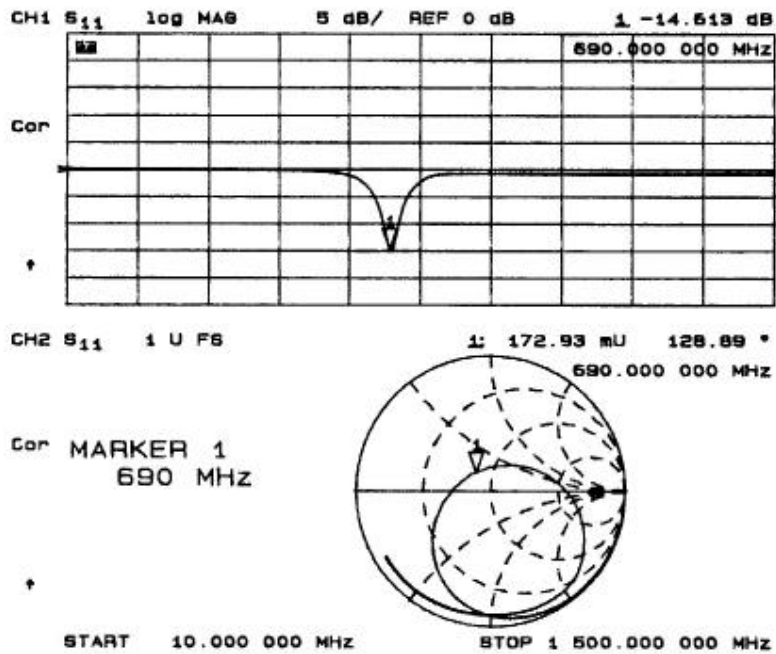
Condition
 $f_{IF}=130\text{MHz}$
 $P_{RF}=-30\text{dBm}$
 $P_{LO}=-10\text{dBm}$
 $V_{MIX}=V_{LO}=2.7\text{V}$
 Lower LOCAL

NJG1550F

■TYPICAL CHARACTERISTICS (Continued)

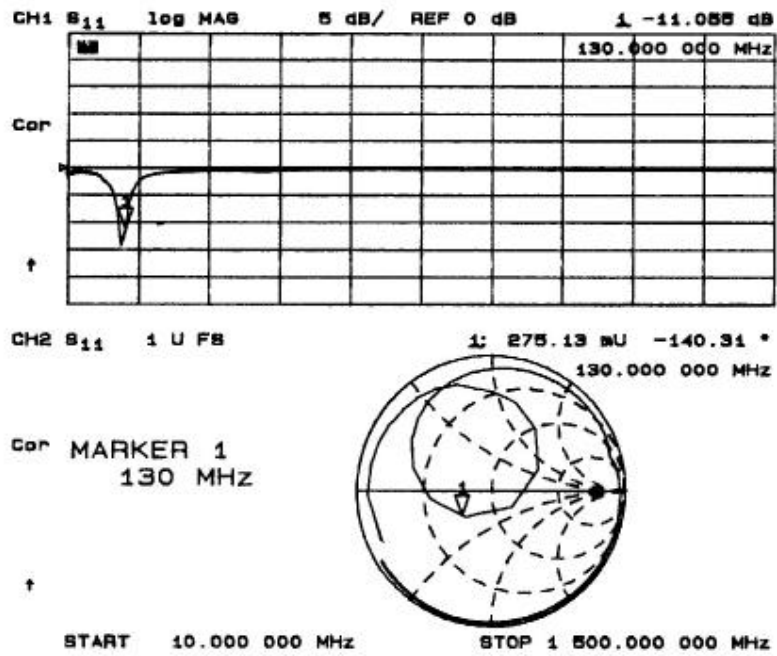


RFIN PORT EXTERNAL MATCHING NETWORK IMPEDANCE PLOT



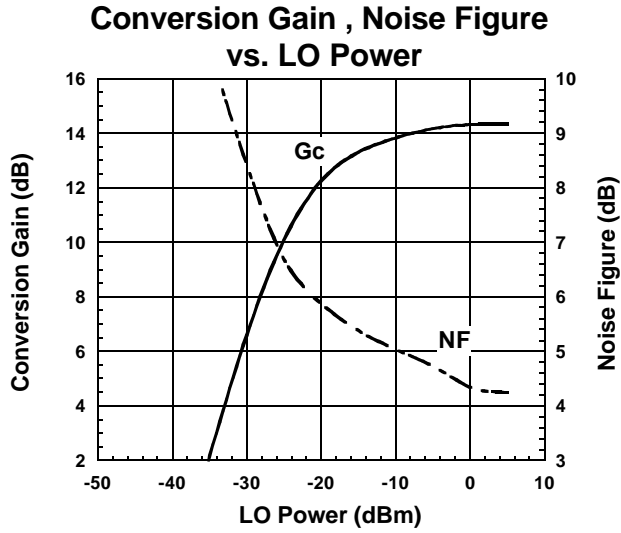
LOIN PORT EXTERNAL MATCHING NETWORK IMPEDANCE PLOT

■ TYPICAL CHARACTERISTICS (Continued)

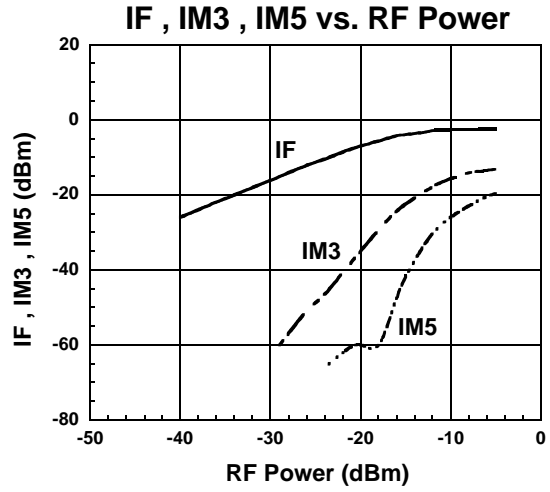


IFOUT PORT EXTERNAL MATCHING NETWORK IMPEDANCE PLOT

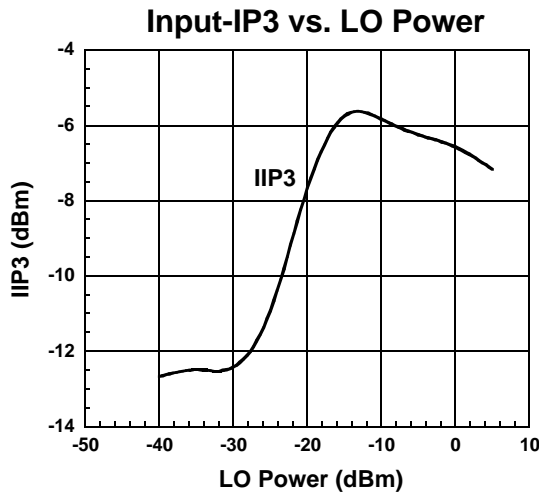
■ TYPICAL CHARACTERISTICS (Application 1, $f_{LO}=950\text{MHz}$)



Condition
 $f_{IF}=130\text{MHz}$
 $f_{RF}=820\text{MHz}, P_{RF}=-30\text{dBm}$
 $f_{LO}=950\text{MHz}$
 $V_{MIX}=V_{LO}=2.7\text{V}$

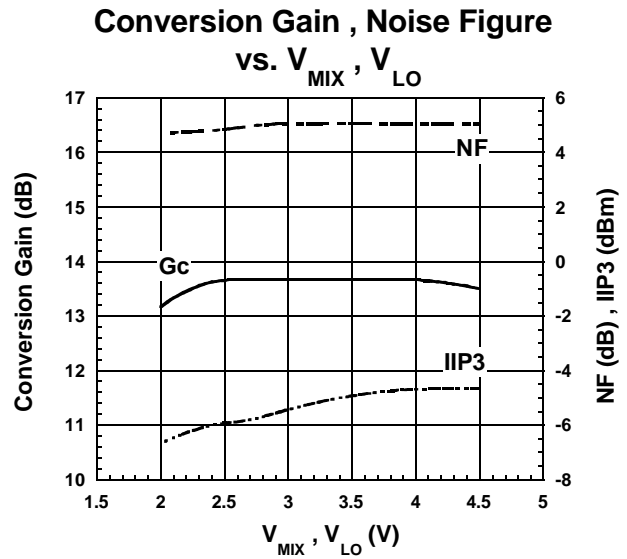


Condition
 $f_{IF}=130\text{MHz}$
 $f_{RF1}=820.0\text{MHz}$
 $f_{RF2}=820.1\text{MHz}$
 $f_{LO}=950\text{MHz}, P_{LO}=-10\text{dBm}$
 $V_{MIX}=V_{LO}=2.7\text{V}$



Condition
 $f_{IF}=130\text{MHz}$
 $f_{RF1}=820.0\text{MHz}, P_{RF}=-30\text{dBm}$
 $f_{RF2}=820.1\text{MHz}$
 $f_{LO}=950\text{MHz}$
 $V_{MIX}=V_{LO}=2.7\text{V}$

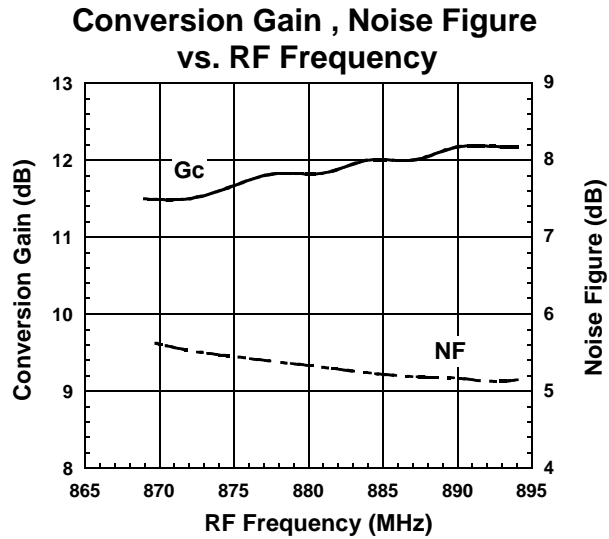
$$IIP3 = \frac{3IF - IM3}{2} - G_c$$
 @ $P_{RF}=-30\text{dBm}$



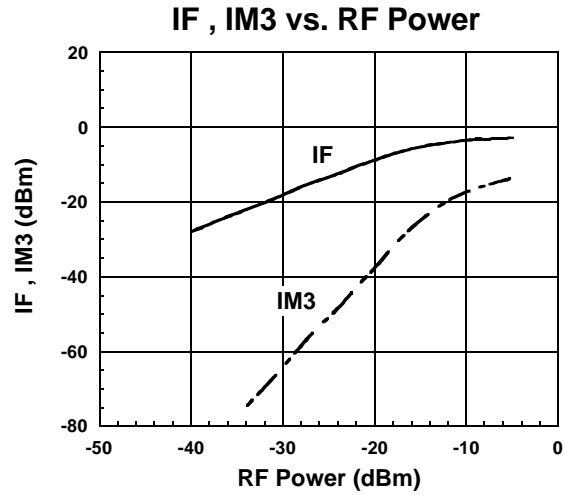
Condition
 $f_{IF}=130\text{MHz}$
 $f_{RF1}=820.0\text{MHz}, P_{RF}=-30\text{dBm}$
 $f_{RF2}=820.1\text{MHz}$
 $f_{LO}=950\text{MHz}, P_{LO}=-10\text{dBm}$

$$IIP3 = \frac{3IF - IM3}{2} - G_c$$
 @ $P_{RF}=-30\text{dBm}$

■ TYPICAL CHARACTERISTICS (Application 1, $f_{LO}=964.66\text{MHz}$)

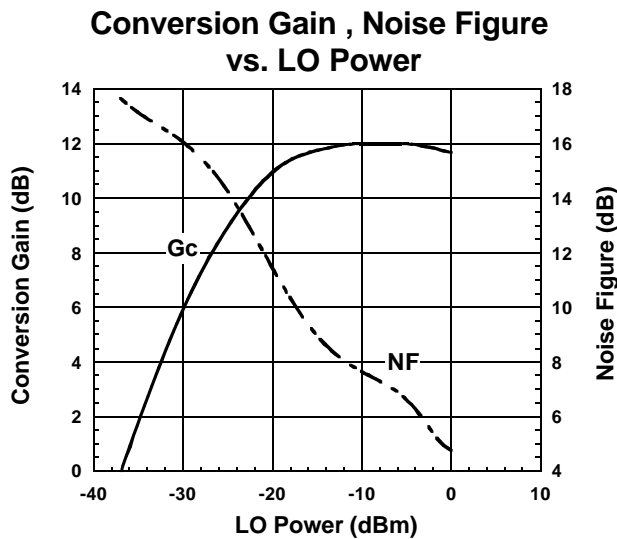


Condition
 $f_{IF}=83.16\text{MHz}$
 $P_{LO}=-10\text{dBm}$
 $P_{RF}=-30\text{dBm}$
 $V_{MIX}=V_{LO}=2.7\text{V}$
 Upper LOCAL

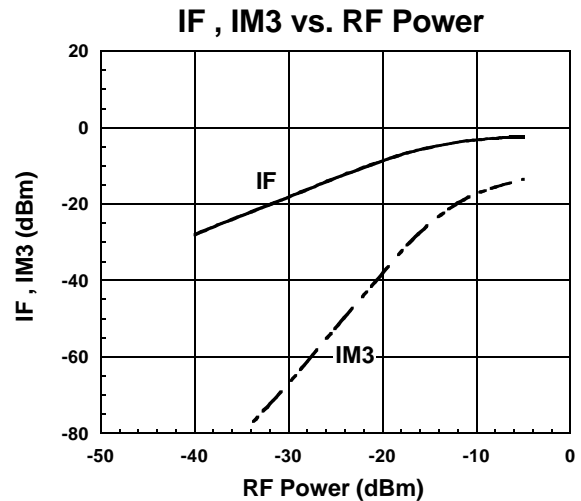


Condition
 $f_{IF}=83.16\text{MHz}$
 $f_{RF1}=881.5\text{MHz}$
 $f_{RF2}=881.6\text{MHz}$
 $f_{LO}=964.66\text{MHz}, P_{LO}=-10\text{dBm}$
 $V_{MIX}=V_{LO}=2.7\text{V}$

■ TYPICAL CHARACTERISTICS (Application 1, $f_{LO}=926.5\text{MHz}$)



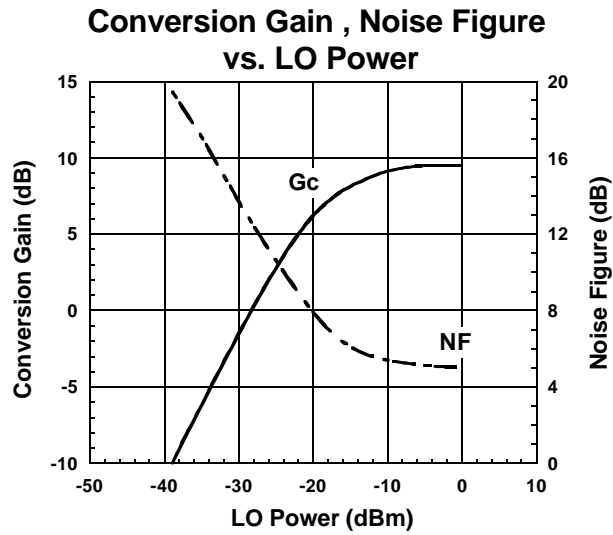
Condition
 $f_{IF}=45\text{MHz}$
 $f_{RF}=881.5\text{MHz}, P_{RF}=-30\text{dBm}$
 $f_{LO}=926.5\text{MHz}$
 $V_{MIX}=V_{LO}=2.7\text{V}$



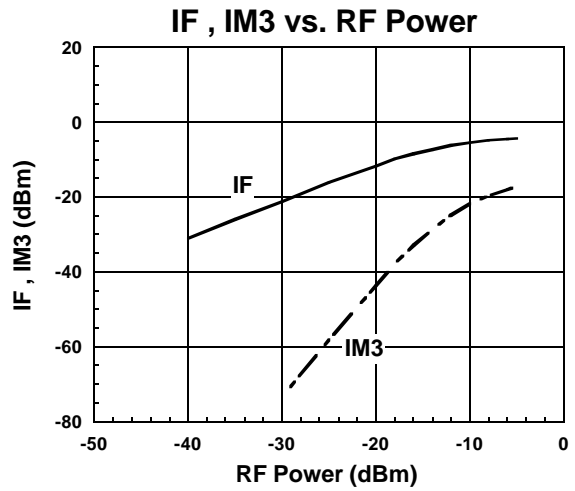
Condition
 $f_{IF}=45\text{MHz}$
 $f_{RF1}=881.5\text{MHz}$
 $f_{RF2}=881.6\text{MHz}$
 $f_{LO}=926.5\text{MHz}, P_{LO}=-10\text{dBm}$
 $V_{MIX}=V_{LO}=2.7\text{V}$

NJG1550F

■ TYPICAL CHARACTERISTICS (Application 2, $f_{LO}=796.12\text{MHz}$)

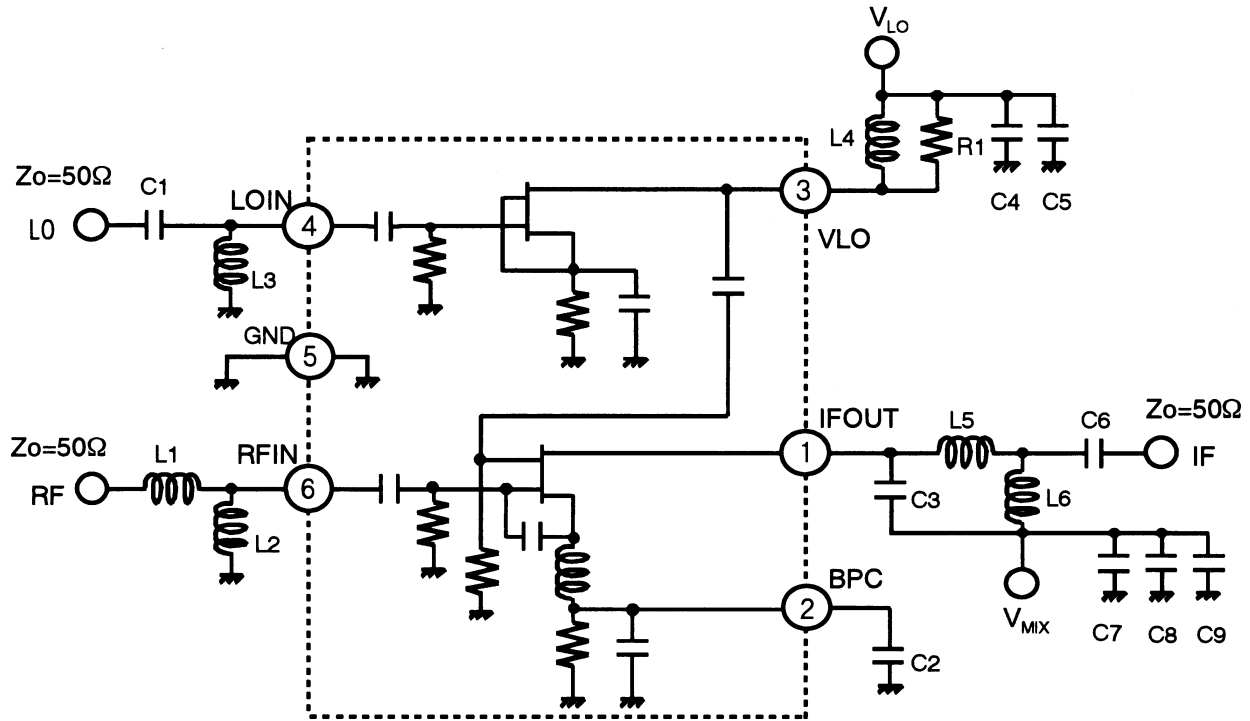


Condition
 $f_{IF}=85.38\text{MHz}$
 $f_{RF}=881.5\text{MHz}$, $P_{RF}=-30\text{dBm}$
 $f_{LO}=796.12\text{MHz}$
 $V_{MIX}=V_{LO}=2.7\text{V}$



Condition
 $f_{IF}=85.38\text{MHz}$
 $f_{RF1}=881.5\text{MHz}$
 $f_{RF2}=881.6\text{MHz}$
 $f_{LO}=796.12\text{MHz}$, $P_{LO}=-10\text{dBm}$
 $V_{MIX}=V_{LO}=2.7\text{V}$

APPLICATION CIRCUIT 1 (Application 1)

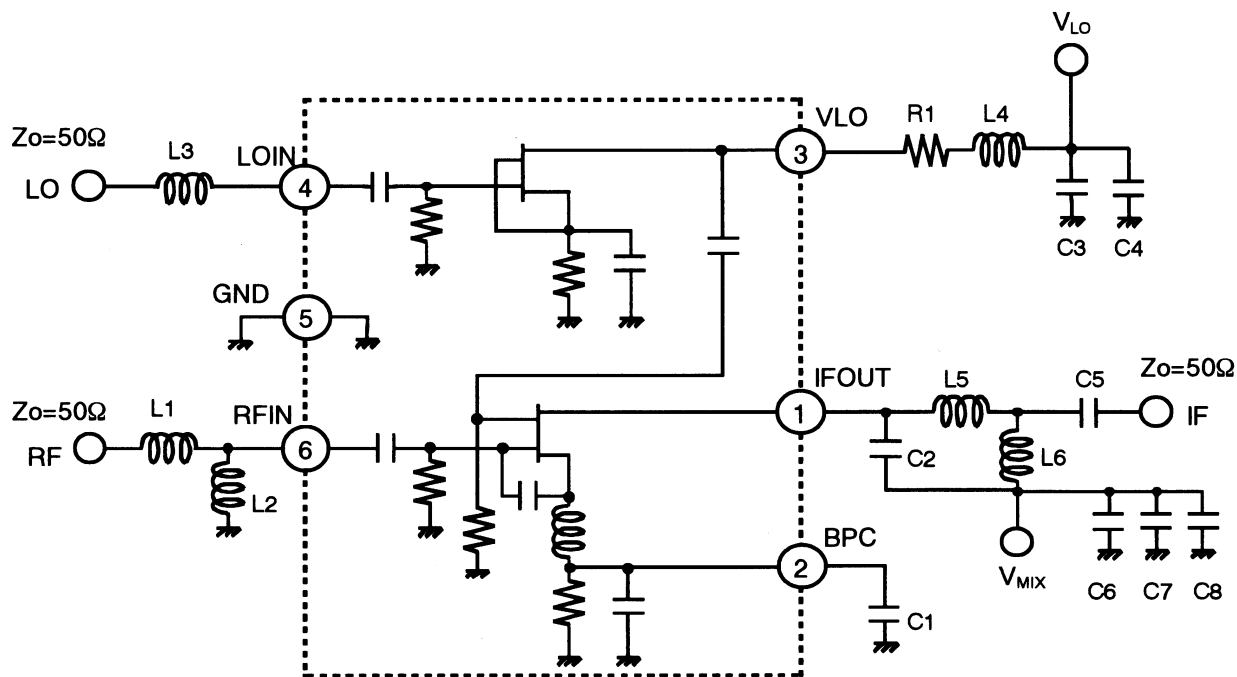


PARTS LIST 1

PART ID	800MHz Band				COMMENT
	Lower LOCAL	Upper LOCAL	Upper LOCAL	Upper LOCAL	
	$f_{LO}=690\text{MHz}$ $f_{IF}=130\text{MHz}$	$f_{LO}=950\text{MHz}$ $f_{IF}=130\text{MHz}$	$f_{LO}=964.66\text{MHz}$ $f_{IF}=83.16\text{MHz}$	$f_{LO}=926.5\text{MHz}$ $f_{IF}=45\text{MHz}$	
L1	39nH	39nH	33nH	39nH	TAIYO-YUDEN(HK1608)
L2	27nH	27nH	22nH	22nH	TAIYO-YUDEN(HK1608)
L3	22nH	15nH	12nH	15nH	TAIYO-YUDEN(HK1608)
L4	27nH	22nH	22nH	18nH	TAIYO-YUDEN(HK1608)
L5	100nH	100nH	100nH	150nH	TAIYO-YUDEN(HK1608)
L6	56nH	56nH	47nH	120nH	TAIYO-YUDEN(HK1608)
C1	1pF	0.5pF	0.5pF	0.5pF	MURATA(GRM39)
C2	470pF	470pF	470pF	470pF	MURATA(GRM39)
C3	11pF	11pF	24pF	39pF	MURATA(GRM39)
C4	100pF	100pF	100pF	100pF	MURATA(GRM39)
C5	1000pF	1000pF	1000pF	1000pF	MURATA(GRM39)
C6	1000pF	1000pF	1000pF	47pF	MURATA(GRM39)
C7	10pF	10pF	10pF	10pF	MURATA(GRM39)
C8	100pF	100pF	100pF	100pF	MURATA(GRM39)
C9	1000pF	1000pF	0.1uF	1000pF	MURATA(GRM39)
R1	560Ω	360Ω	360Ω	470Ω	TAMA Electronics(CRG16G)

NJG1550F

APPLICATION CIRCUIT 2 (Application 2)

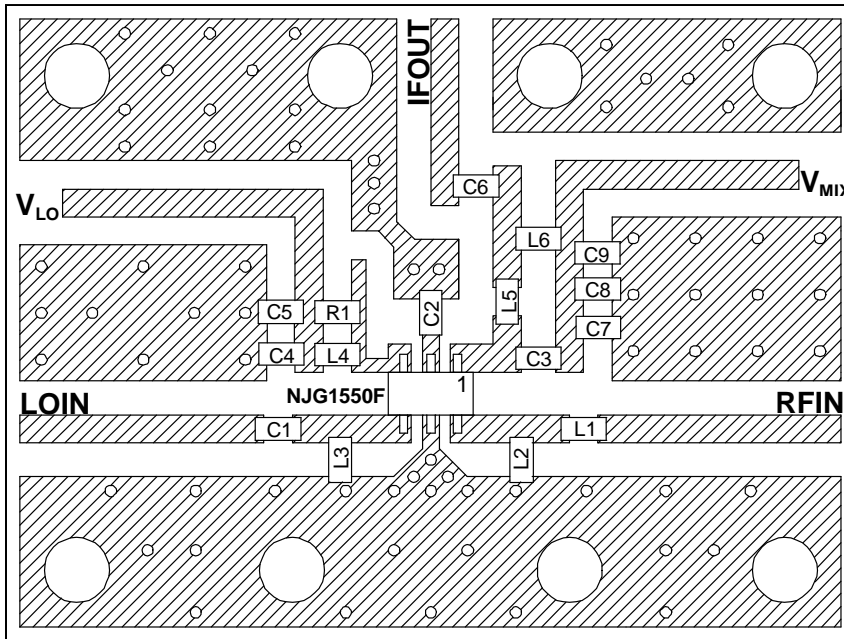


PARTS LIST 2

PART ID	800MHz Band		COMMENT
	Lower LOCAL		
	$f_{LO}=796.12\text{MHz}$		
	$f_{IF}=85.38\text{MHz}$		
L1	33nH		TAIYO-YUDEN(HK1608)
L2	22nH		TAIYO-YUDEN(HK1608)
L3	27nH		TAIYO-YUDEN(HK1608)
L4	27nH		TAIYO-YUDEN(HK1608)
L5	100nH		TAIYO-YUDEN(HK1608)
L6	47nH		TAIYO-YUDEN(HK1608)
C1	470pF		MURATA(GRM39)
C2	24pF		MURATA(GRM39)
C3	100pF		MURATA(GRM39)
C4	1000pF		MURATA(GRM39)
C5	1000pF		MURATA(GRM39)
C6	10pF		MURATA(GRM39)
C7	100pF		MURATA(GRM39)
C8	1000pF		MURATA(GRM39)
R1	100 Ω		TAMA Electronics(CRG16G)

RECOMMENDED PCB DESIGN

(TOP VIEW)



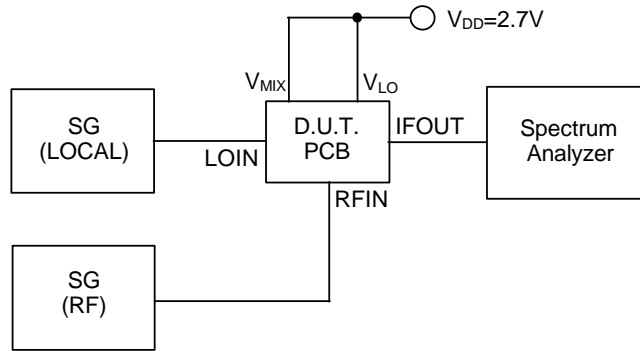
PCB: FR-4, t=0.5mm
 STRIPLINE WIDTH=1mm
 ($Z_0=50\Omega$)

(SIZE: 22.5mm x 30mm)

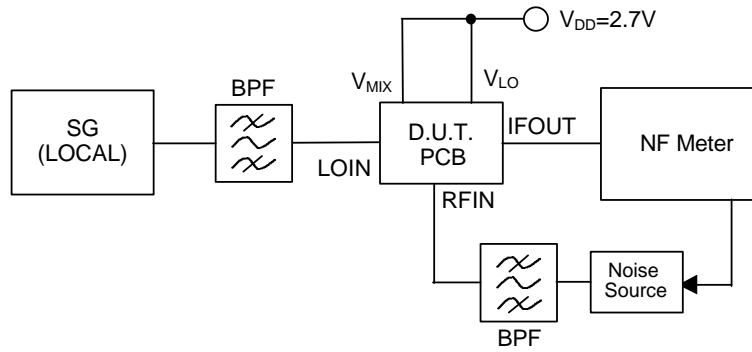
PRECAUTIONS

- [1] Please locate L4 and R1 close to VLO terminal (3).
- [2] Distance from L1 and RFIN terminal (6) is 3.5mm.
- [3] Distance from C1 and LOIN terminal (4) is 3.5mm.
- [4] Please locate C2 close to BPC terminal (2).
- [5] Please locate C7, C8, C9 close to C3, L6.
- [6] Please locate C4, C5 close to R1, L4.

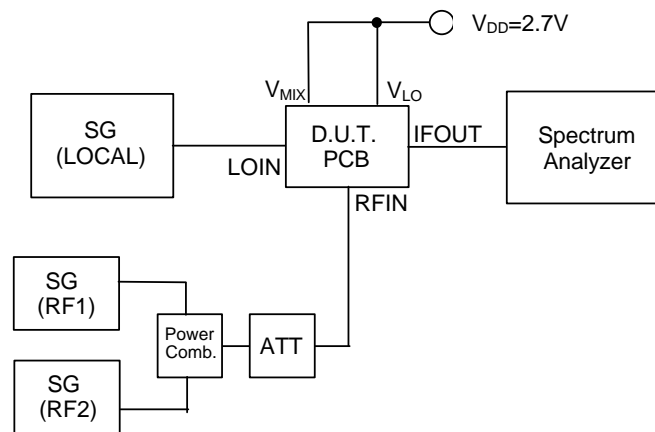
MEASURING BLOCK DIAGRAM



Conversion Gain Measurement Block Diagram

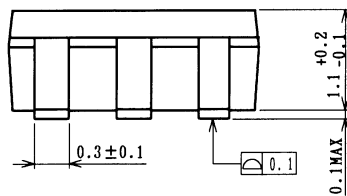
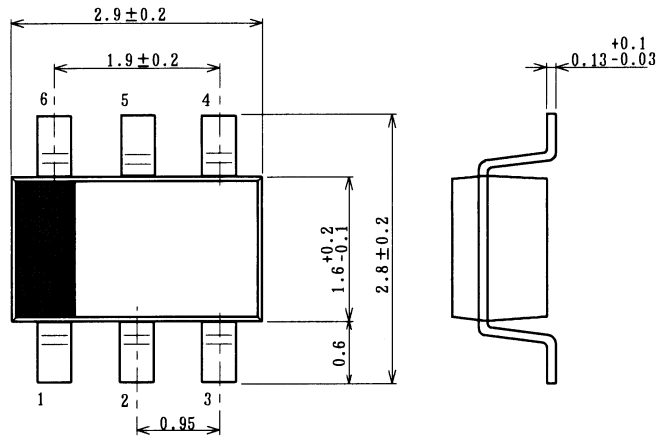


Noise Figure Measurement Block Diagram



IF, IM3, IM5 Measurement Block Diagram

PACKAGE OUTLINE (MTP6)



Lead material	: Copper
Lead surface finish	: Solder plating
Molding material	: Epoxy resin
UNIT	: mm
Weight	: 14mg

Cautions on using this product

This product contains Gallium-Arsenide (GaAs) which is a harmful material.

- Do NOT eat or put into mouth.
- Do NOT dispose in fire or break up this product.
- Do NOT chemically make gas or powder with this product.
- To waste this product, please obey the relating law of your country.

[CAUTION]

The specifications on this databook are only given for information, without any guarantee as regards either mistakes or omissions. The application circuits in this databook are described only to show representative usages of the product and not intended for the guarantee or permission of any right including the industrial rights.

This product may be damaged with electric static discharge (ESD) or spike voltage. Please handle with care to avoid these damages.