

Features

- 4-Way Splitter
- Single Ended Input and Outputs
- 3.0 dB Gain
- +15 dBmV / Channel Input
- 3.8 dB Noise Figure
- Single +5 Volt Supply
- Lead-Free 3 mm 12-Lead PQFN Package
- RoHS* Compliant and 260°C Reflow Compatible

Description

M/A-COM's MAAM-008820 CATV 4-way active splitter is a GaAs MMIC which exhibits low noise figure and distortion in a lead-free 3 mm 12-lead PQFN plastic package. The design features 75 Ω inputs and outputs.

The MAAM-008820 is ideally suited for multi-tuner set top boxes, home gateways, and other broadband internet based appliances.

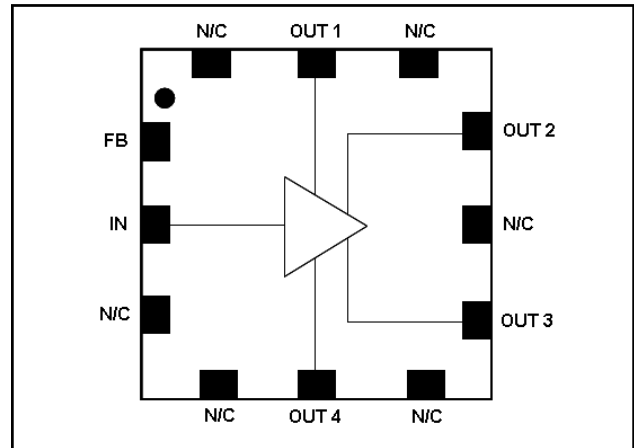
The MAAM-008820 is fabricated using M/A-COM's PHEMT process to realize low noise and low distortion. The process features full passivation for robust performance and reliability.

Ordering Information ^{1,2}

| Part Number | Package |
|--------------------|-------------------|
| MAAM-008820-TR1000 | 1000 piece reel |
| MAAM-008820-TR3000 | 3000 piece reel |
| MAAM-008820-001SMB | Sample Test Board |

1. Reference Application Note M513 for reel size information.
2. All sample boards include 5 loose parts.

Functional Schematic



Pin Configuration

| Pin No. | Pin Name | Description |
|---------|---------------------|------------------|
| 1 | FB | Feedback/Bias |
| 2 | IN | RF Input |
| 3 | N/C | No Connection |
| 4 | N/C | No Connection |
| 5 | OUT4 | RF Output 4 |
| 6 | N/C | No Connection |
| 7 | OUT3 | RF Output 3 |
| 8 | N/C | No Connection |
| 9 | OUT2 | RF Output 2 |
| 10 | N/C | No Connection |
| 11 | OUT1 | RF Output 1 |
| 12 | N/C | No Connection |
| 13 | Paddle ³ | RF and DC Ground |

3. The exposed pad centered on the package bottom must be connected to RF and DC ground.

* Restrictions on Hazardous Substances, European Union Directive 2002/95/EC.

Electrical Specifications: Freq. = 50 - 1000 MHz, T_A = 25°C, V_{DD} = +5 Volts, Z₀ = 75 Ω

| Parameter | Test Conditions | Units | Min. | Typ. | Max. |
|-----------------------------|---|-------|------|------|------|
| Gain | IN to OUT1, OUT2, OUT3 & OUT4 | dB | 1.8 | 3.0 | 3.8 |
| Gain Flatness | IN to OUT1, OUT2, OUT3 & OUT4 | dB | - | 0.5 | 1.0 |
| Noise Figure | IN to OUT1, OUT2, OUT3 & OUT4 | dB | - | 3.8 | - |
| Input Return Loss | IN | dB | - | 15 | - |
| Output Return Loss | OUT1, OUT2, OUT3, OUT4 | dB | - | 11 | - |
| Composite Triple Beat, CTB | 132 channels, +15 dBmV/channel at the input | dBc | - | -70 | - |
| Composite Second Order, CSO | 132 channels, +15 dBmV/channel at the input | dBc | - | -62 | - |
| Reverse Isolation | OUT1, OUT2, OUT3 & OUT4 to IN | dB | - | 29 | - |
| Output to Output Isolation | Isolation between all RF outputs | dB | - | 21 | - |
| P1dB | IN to OUT1, OUT2, OUT3, OUT4 | dB | - | 10 | - |
| OIP3 | 500MHz, 2-tone, 6MHz spacing, -15 dBm Pout | dBm | - | 25 | - |
| OIP2 | 500MHz, 2-tone, 6MHz spacing, -15 dBm Pout | dBm | - | 48 | - |
| I _{DD} | V _{DD} = +5 Volts | mA | - | 120 | 150 |

Absolute Maximum Ratings ^{4,5,6}

| Parameter | Absolute Maximum |
|-----------------------------------|------------------|
| Max Input Power | +12 dBm |
| V _{bias} | +10.0 V |
| Operating Temperature | -20°C to +85°C |
| Junction Temperature ⁷ | 150°C |
| Storage Temperature | -65°C to +150°C |

4. Exceeding any one or combination of these limits may cause permanent damage to this device.
5. M/A-COM does not recommend sustained operation near these survivability limits.
6. These operating conditions will ensure MTTF > 1 x 10⁶ hours.
7. Junction Temperature (T_J) = T_C + Θ_{JC} * ((V * I) - (P_{OUT} - P_{IN}))
Typical thermal resistance (Θ_{JC}) = 77° C/W.
 - a) For T_C = 25°C,
T_J = 71 °C @ 5 V, 120 mA
 - b) For T_C = 85°C,
T_J = 127 °C @ 5 V, 110 mA

Handling Procedures

Please observe the following precautions to avoid damage:

Static Sensitivity

Gallium Arsenide Integrated Circuits are sensitive to electrostatic discharge (ESD) and can be damaged by static electricity. Proper ESD control techniques should be used when handling these devices.

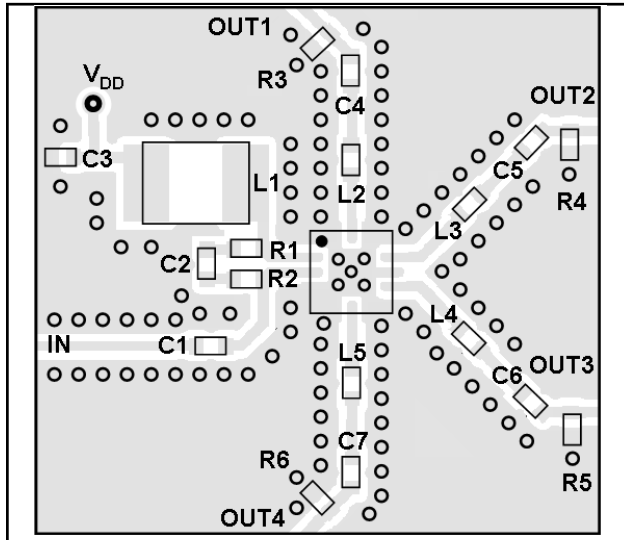
ADVANCED: Data Sheets contain information regarding a product M/A-COM Technology Solutions is considering for development. Performance is based on target specifications, simulated results, and/or prototype measurements. Commitment to develop is not guaranteed.
PRELIMINARY: Data Sheets contain information regarding a product M/A-COM Technology Solutions has under development. Performance is based on engineering tests. Specifications are typical. Mechanical outline has been fixed. Engineering samples and/or test data may be available. Commitment to produce in volume is not guaranteed.

- **North America** Tel: 800.366.2266 / Fax: 978.366.2266
- **Europe** Tel: 44.1908.574.200 / Fax: 44.1908.574.300
- **Asia/Pacific** Tel: 81.44.844.8296 / Fax: 81.44.844.8298

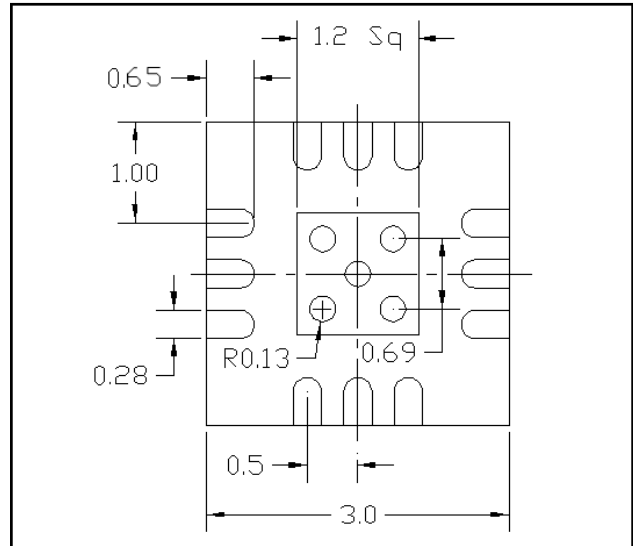
Visit www.macomtech.com for additional data sheets and product information.

M/A-COM Technology Solutions Inc. and its affiliates reserve the right to make changes to the product(s) or information contained herein without notice.

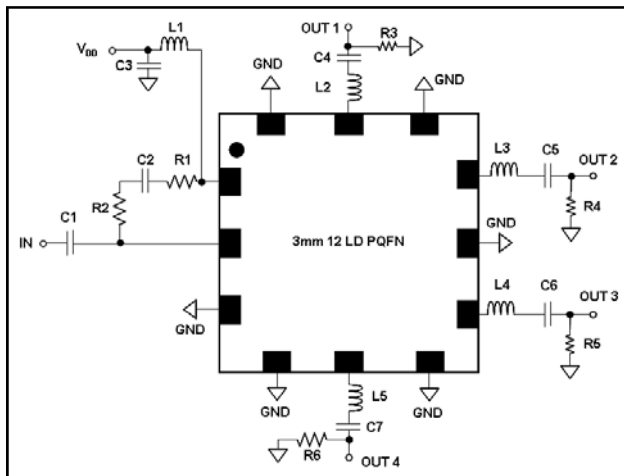
Recommended PCB



PCB Land Pattern



Schematic Including Off-Chip Components⁸



8. The exposed pad centered on the package bottom must be connected to ground for RF, DC and thermal considerations.

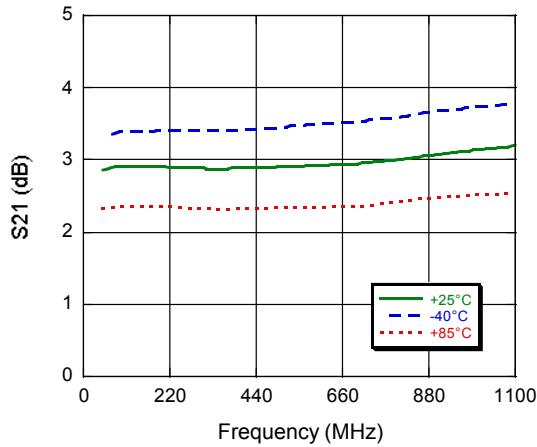
Off-Chip Component Values

| Component | Value | Package |
|-----------------|--------------|---------|
| C1 - C7 | 0.01 μ F | 0402 |
| L1 ⁹ | 1 μ H | 1210 |
| L2 - L5 | 6.8 nH | 0402 |
| R1, R2 | 180 Ω | 0402 |
| R3 - R6 | 750 Ω | 0402 |

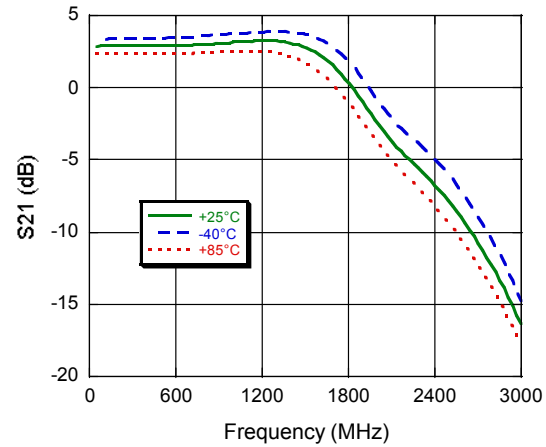
9. L1 supplied from EPCOS, part number B82422A1102K100

Typical Performance Curves

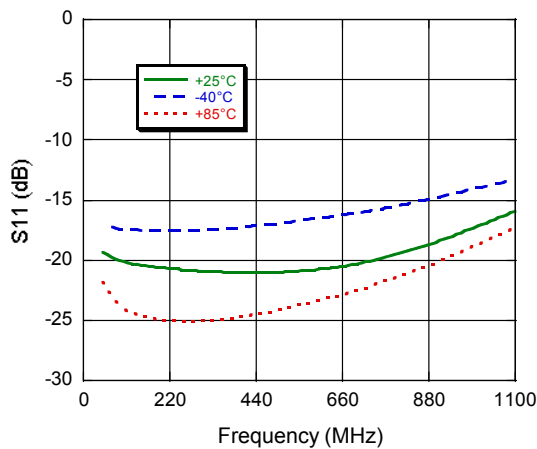
Gain to 1100 MHz
Typical All Outputs



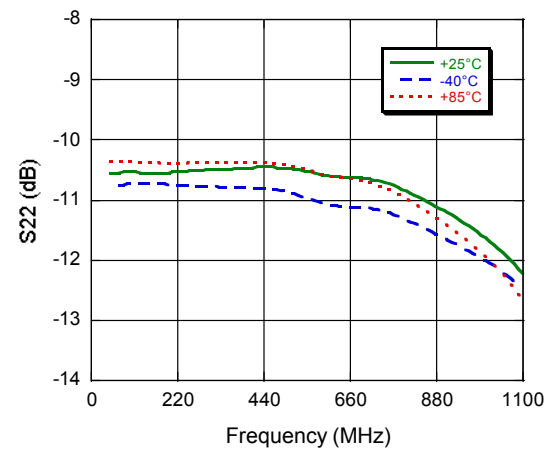
Gain to 3000 MHz
Typical All Outputs



Input Return Loss

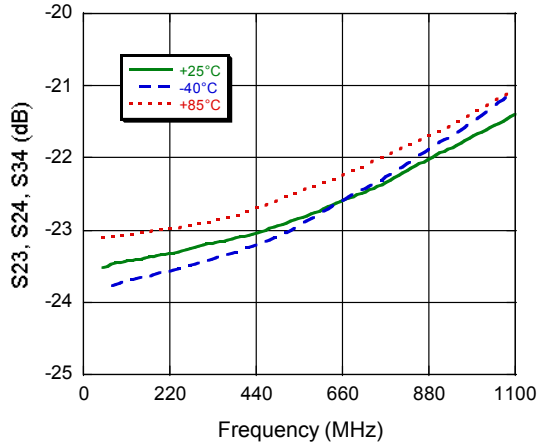


Output Return Loss
Typical All Outputs

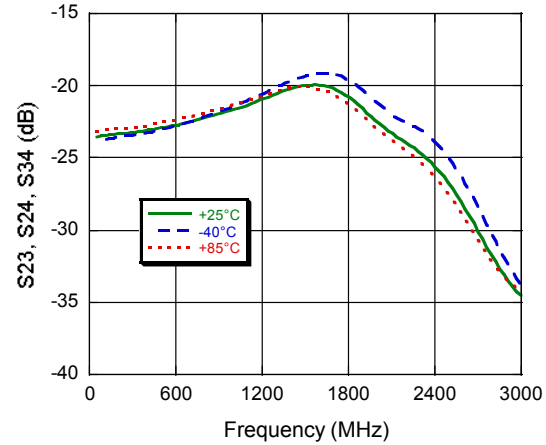


Typical Performance Curves

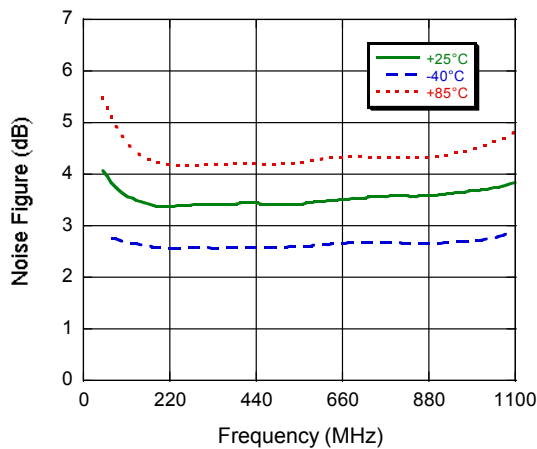
OUT-OUT Isolation to 1100 MHz
Typical Between All Outputs



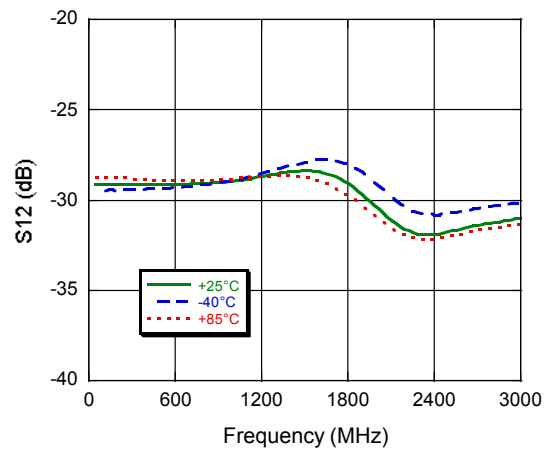
OUT-OUT Isolation to 3000 MHz
Typical Between All Outputs



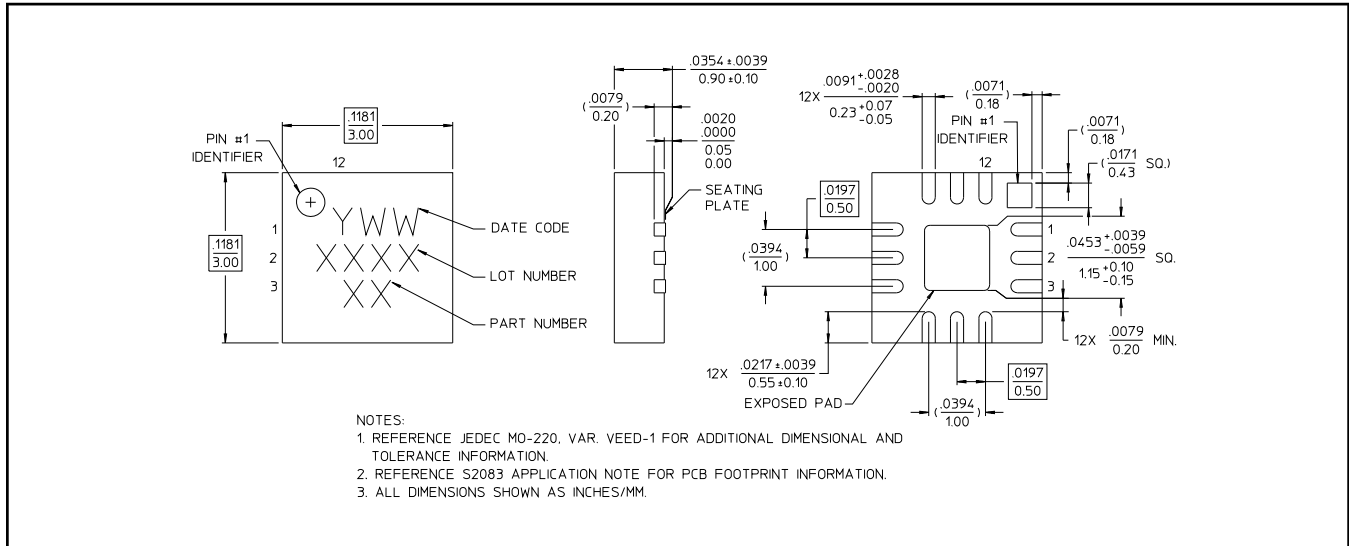
Noise Figure
Typical All Outputs



Reverse Isolation to 3000 MHz
Typical From All Outputs to Input



Lead-Free 3 mm 12-Lead PQFN[†]



[†] Reference Application Note S2083 for lead-free solder reflow recommendations.
Meets JEDEC moisture sensitivity level 1 requirements.
Plating is 100% matte tin over copper.