

**Low Noise CATV Amplifier  
50 - 1005 MHz**

**MAAM-007724  
V1**

**Features**

- Low Distortion
- Low Noise Figure
- Push Pull Design
- Single Positive Supply
- Lead-Free 4 mm 20-Lead PQFN Package
- 100% Matte Tin Plating over Copper
- Halogen-Free "Green" Mold Compound
- RoHS\* Compliant and 260°C Reflow Compatible

**Description**

M/A-COM's MAAM-007724 is a GaAs PHEMT MMIC amplifier in a lead-free 4 mm 20-lead PQFN package. The MMIC design is configured as a pair of cascode PHEMT amplifiers for broadband performance. It is designed for integration in a 75-ohm push-pull, low distortion, amplifier circuit. The device is ideally suited for use in CATV, DBS, and HDTV applications where low noise figure and low distortion are required.

**Ordering Information <sup>1</sup>**

Part Number	Package
MAAM-007724-TR1000	1000 piece reel
MAAM-007724-TR3000	3000 piece reel
MAAM-007724-000SMB	Sample Test Board (Includes 5 Samples)

1. Reference Application Note M513 for reel size information.

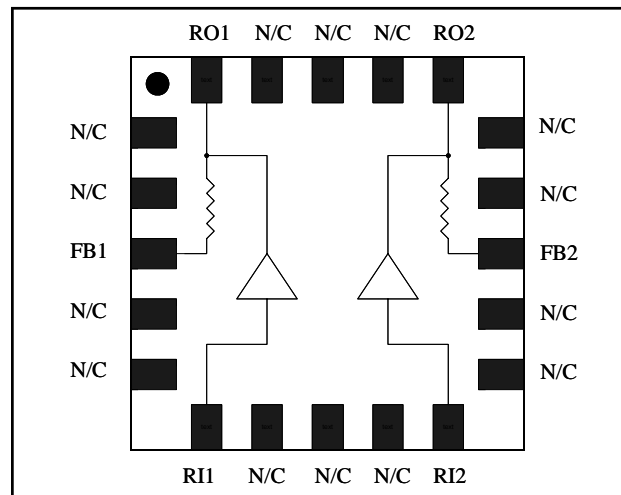
**Absolute Maximum Ratings <sup>2,3</sup>**

Parameter	Absolute Maximum
Input Power	+20 dBm
Operating Voltage	+10 volts
Operating Temperature	-40°C to +85°C
Storage Temperature	-65°C to +150°C

- Exceeding any one or combination of these limits may cause permanent damage to this device.
- M/A-COM does not recommend sustained operation near these survivability limits.

\* Restrictions on Hazardous Substances, European Union Directive 2002/95/EC.

**Functional Schematic**



**Pin Configuration <sup>4</sup>**

Pin No.	Pin Name	Description
1	N/C	No Connection
2	N/C	No Connection
3	FB1	Feedback 1
4	N/C	No Connection
5	N/C	No Connection
6	RI1	RF Input 1
7	N/C	No Connection
8	N/C	No Connection
9	N/C	No Connection
10	RI2	RF Input 2
11	N/C	No Connection
12	N/C	No Connection
13	FB2	Feedback 2
14	N/C	No Connection
15	N/C	No Connection
16	RO2	RF Output 2
17	N/C	No Connection
18	N/C	No Connection
19	N/C	No Connection
20	RO1	RF Output 1

4. The exposed pad centered on the package bottom must be connected to RF and DC ground.

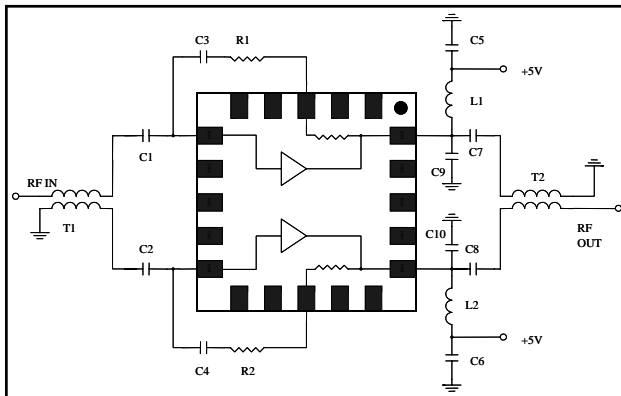
**Low Noise CATV Amplifier  
50 - 1005 MHz**

**MAAM-007724  
V1**

**Electrical Specifications:  $T_A = 25^\circ\text{C}$ , Freq: 50 - 1005 MHz,  $V_{DD} = +5$  Volts,  $Z_0 = 75$  ohms  
Test Circuit with M/A-COM Balun ETN1-1-13**

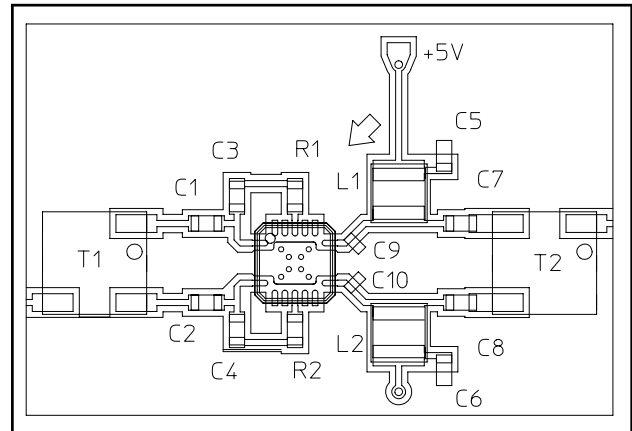
Parameter	Test Conditions	Units	Min.	Typ.	Max.
Gain	—	dB	11.5	12.2	13.0
Gain Flatness	—	dB	—	0.4	1.0
Noise Figure	—	dB	—	3.3	4.0
Input VSWR	—	Ratio	—	1.3:1	—
Output VSWR	—	Ratio	— <td 1.5:1	—	
Output IP3	Two tones at 397 & 403 MHz, +4 dBm output per tone	dBm	—	32	—
Composite Triple Beat, CTB	135 Channels, +13 dBmV/Channel at the input	dBc	—	-78	-70
Composite Second Order, CSO	135 Channels, +13 dBmV/Channel at the input	dBc	—	-78	-70
Cross modulation	135 Channels, +13 dBmV/Channel at the input	dBc	—	-73	-64
P1dB	400 MHz	dBm	—	24	—
$I_{DD}$	+5 Volts	mA	—	190	225

**Test Circuit Schematic<sup>5</sup>**



5. The 1:1 baluns, T1 & T2, are M/A-COM part number ETN1-1-13.

**Recommended Test Circuit Layout<sup>6</sup>**



6. Reference M/A-COM Application Note S2083 for recommended PCB configuration. R1 and R2 are 0 ohms.

**External Circuitry Parts List**

Qty	Description
8	Capacitor, 0.01 $\mu\text{F}$ , 0603, SMT, 10% (C1-C8)
2	Capacitor, 2 pF, 0402, SMT, $\pm 0.25\text{pF}$ (C9-C10)
2	Inductor, 390 nH, 1008, SMT, 10% (L1, L2)
2	Balun, 1:1, M/A-COM, ETN1-1-13, SMT (T1,T2)
2	Resistor, 0 ohms, 0603, SMT (R1, R2)

**Handling Procedures**

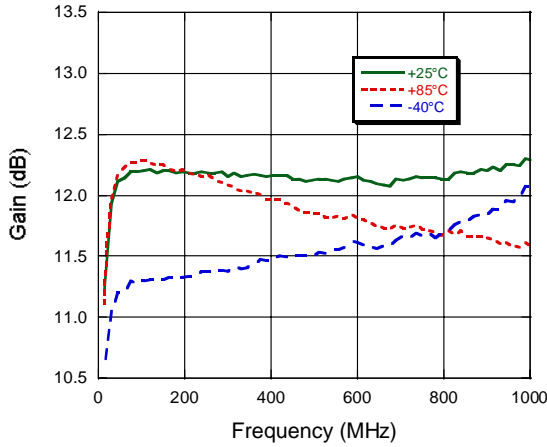
Please observe the following precautions to avoid damage:

**Static Sensitivity**

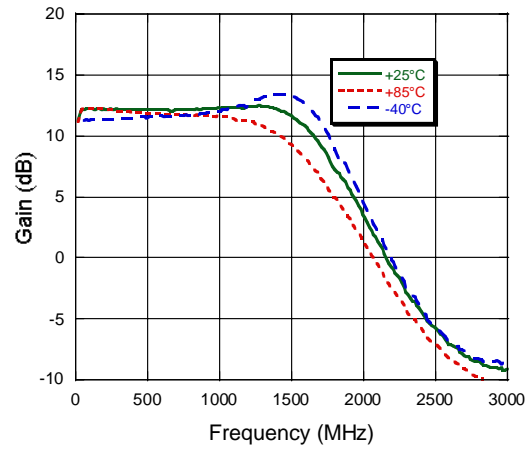
Gallium Arsenide Integrated Circuits are sensitive to electrostatic discharge (ESD) and can be damaged by static electricity. Proper ESD control techniques should be used when handling these devices.

**Typical Performance Curves**

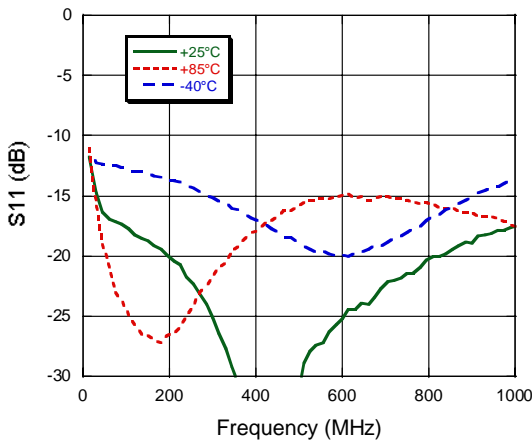
**Gain**



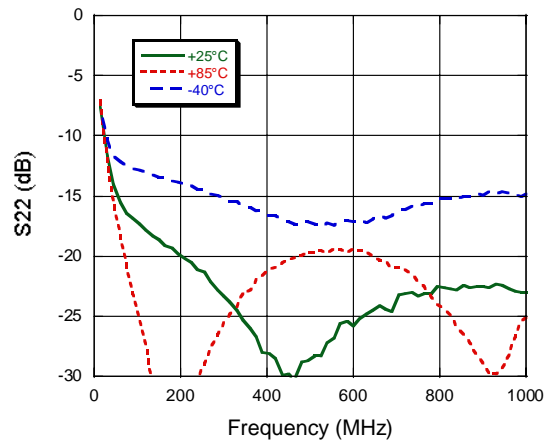
**Gain vs. Frequency to 3 GHz**



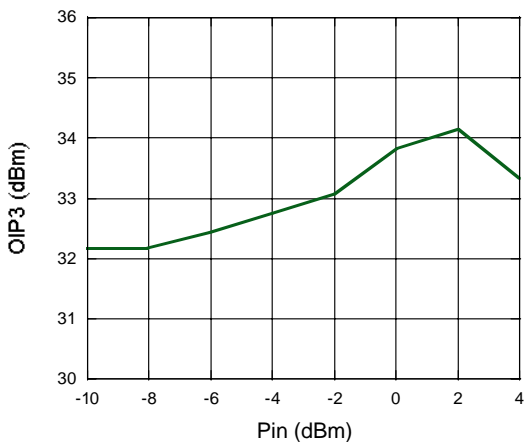
**Input Return Loss**



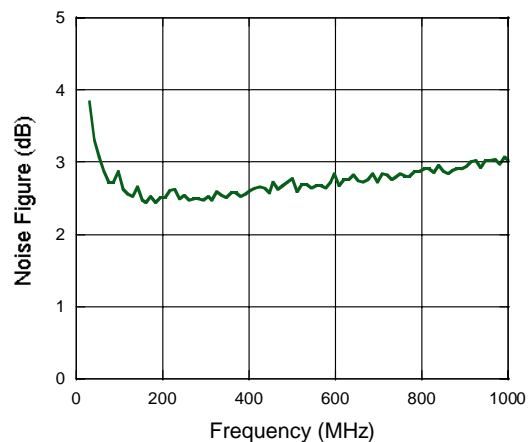
**Output Return Loss**



**OIP3 vs.  $P_{IN}$  at 400 MHz, 25°C**

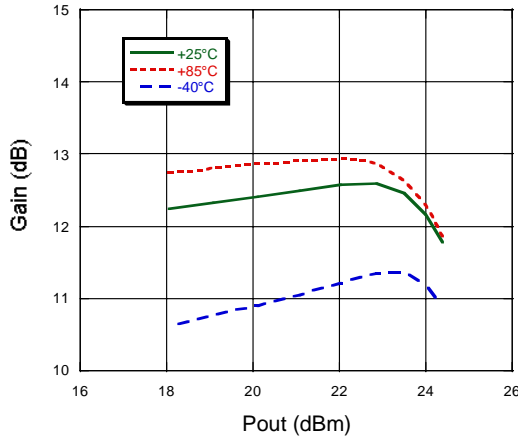


**Noise Figure vs. Frequency, 25°C**

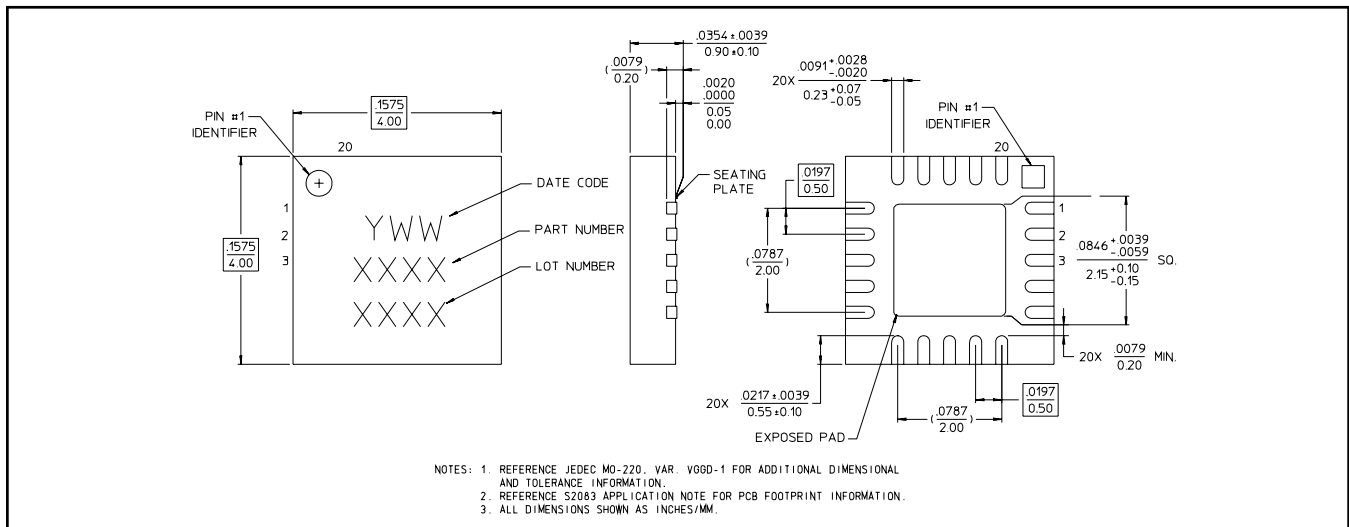


**Typical Performance Curves (continued)**

**Gain vs.  $P_{OUT}$  at 400 MHz**



**Lead-Free 4 mm 20-lead PQFN<sup>†</sup>**



<sup>†</sup> Reference Application Note M538 for lead-free solder reflow recommendations.  
Meets JEDEC moisture sensitivity level 1 requirements.