

PRODUCT SUMMARY

SKY65296-11 WLAN 802.11b/g/n Intera™ Front-End Module

Applications

- Portable/mobile IEEE 802.11 b/g/n products:
 - PC cards
 - PCMCIA cards
 - MiniCards/half miniCards

Features

- 2.4 to 2.5 GHz operation
- Cardbus, mini PC1, PCIe, and AP applications
- Output power @ 3.5% EVM (OFDM54): +18 dBm
- 25 dB gain
- Integrated PA, filters, directional detector, and diversity switch
- Single supply voltage: 3.0 to 3.6 V
- Dual antennas
- Gain @ 3.2 GHz: –20 dB
- MCM (20-pin, 4 x 4 x 0.9 mm) package (MSL3, 260 °C per JEDEC J-STD-020)

Description

The SKY65296-11 Intera™ Front-End Module (FEM) contains one complete 2.4 GHz transmit/receive chain in a compact RF module optimized for single band 2.4 to 2.5 GHz operation. The SKY65296-11 includes a Power Amplifier (PA) with integrated input filtering for 3.2 to 3.3 GHz rejection, and a temperature-compensated directional power detector with a dynamic range of 20 dB. Also included are low loss, high rejection harmonic filters and a diversity switch that provides high linearity in the transmit path and low loss in the receive path.

The SKY65296-11 is packaged in a lead (Pb)-free, RoHS-compliant Multi-Chip Module (MCM). A functional block diagram is shown in Figure 1. The pin configuration and package are shown in Figure 2.



Skyworks offers lead (Pb)-free, RoHS (Restriction of Hazardous Substances) compliant packaging.

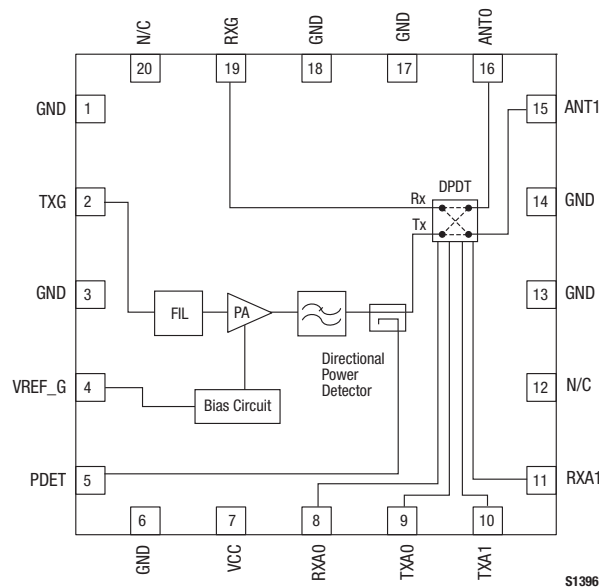


Figure 1. SKY65296-11 Block Diagram

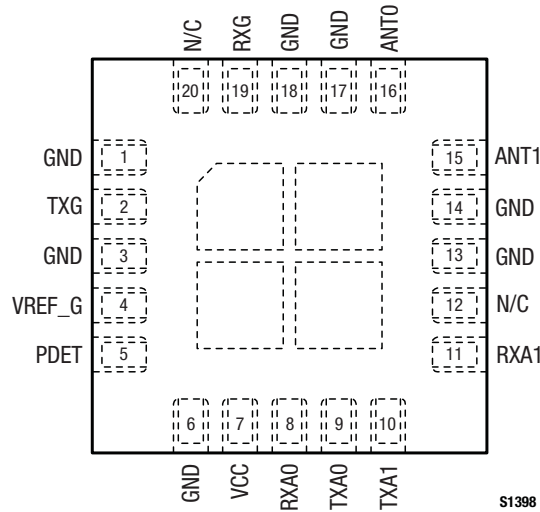


Figure 2. SKY65296-11 Pinout – 20-Pin MCM (Top View)

Ordering Information

| Model Name | Ordering Part Number | Evaluation Board Part Number |
|--|----------------------|------------------------------|
| SKY65296-11 WLAN 801.11 b/g/n Front-End Module | SKY65296-11 | SK40678 |

Copyright © 2010 Skyworks Solutions, Inc. All Rights Reserved.

Information in this document is provided in connection with Skyworks Solutions, Inc. (“Skyworks”) products or services. These materials, including the information contained herein, are provided by Skyworks as a service to its customers and may be used for informational purposes only by the customer. Skyworks assumes no responsibility for errors or omissions in these materials or the information contained herein. Skyworks may change its documentation, products, services, specifications or product descriptions at any time, without notice. Skyworks makes no commitment to update the materials or information and shall have no responsibility whatsoever for conflicts, incompatibilities, or other difficulties arising from any future changes.

No license, whether express, implied, by estoppel or otherwise, is granted to any intellectual property rights by this document. Skyworks assumes no liability for any materials, products or information provided hereunder, including the sale, distribution, reproduction or use of Skyworks products, information or materials, except as may be provided in Skyworks Terms and Conditions of Sale.

THE MATERIALS, PRODUCTS AND INFORMATION ARE PROVIDED “AS IS” WITHOUT WARRANTY OF ANY KIND, WHETHER EXPRESS, IMPLIED, STATUTORY, OR OTHERWISE, INCLUDING FITNESS FOR A PARTICULAR PURPOSE OR USE, MERCHANTABILITY, PERFORMANCE, QUALITY OR NON-INFRINGEMENT OF ANY INTELLECTUAL PROPERTY RIGHT; ALL SUCH WARRANTIES ARE HEREBY EXPRESSLY DISCLAIMED. SKYWORKS DOES NOT WARRANT THE ACCURACY OR COMPLETENESS OF THE INFORMATION, TEXT, GRAPHICS OR OTHER ITEMS CONTAINED WITHIN THESE MATERIALS. SKYWORKS SHALL NOT BE LIABLE FOR ANY DAMAGES, INCLUDING BUT NOT LIMITED TO ANY SPECIAL, INDIRECT, INCIDENTAL, STATUTORY, OR CONSEQUENTIAL DAMAGES, INCLUDING WITHOUT LIMITATION, LOST REVENUES OR LOST PROFITS THAT MAY RESULT FROM THE USE OF THE MATERIALS OR INFORMATION, WHETHER OR NOT THE RECIPIENT OF MATERIALS HAS BEEN ADVISED OF THE POSSIBILITY OF SUCH DAMAGE.

Skyworks products are not intended for use in medical, lifesaving or life-sustaining applications, or other equipment in which the failure of the Skyworks products could lead to personal injury, death, physical or environmental damage. Skyworks customers using or selling Skyworks products for use in such applications do so at their own risk and agree to fully indemnify Skyworks for any damages resulting from such improper use or sale.

Customers are responsible for their products and applications using Skyworks products, which may deviate from published specifications as a result of design defects, errors, or operation of products outside of published parameters or design specifications. Customers should include design and operating safeguards to minimize these and other risks. Skyworks assumes no liability for applications assistance, customer product design, or damage to any equipment resulting from the use of Skyworks products outside of stated published specifications or parameters.

Skyworks, the Skyworks symbol, and “Breakthrough Simplicity” are trademarks or registered trademarks of Skyworks Solutions, Inc., in the United States and other countries. Third-party brands and names are for identification purposes only, and are the property of their respective owners. Additional information, including relevant terms and conditions, posted at www.skyworksinc.com, are incorporated by reference.