

Applications

- IEEE802.11b DSSS WLAN
- IEEE802.11g,n OFDM WLAN
- Embedded applications with Bluetooth (Mobile)

Features

- Dual Mode IEEE802.11b & IEEE802.11g
- Integrated PA, Harmonic Filter, LNA and BT port
- Integrated Positive Slope Power Detector
- 19 dBm @ 4.0 % EVM, 802.11g, 54 Mbps
- Simultaneous WLAN and Bluetooth receive mode
- Direct connection to battery with 3.3 V nominal supply
- Lead free, Halogen free and RoHS compliant
- Compact package, 3 x 3 x 0.5 mm, MSL 1

Ordering Information

Part No.	Package	Remark
SE2579U	20 pin QFN	Samples
SE2579U-R	20 pin QFN	Tape and Reel
SE2579U-EK1	N/A	Evaluation kit

Product Description

The SE2579U is a complete 802.11 b/g/n WLAN RF front-end module with a Bluetooth port. The device provides all the functionality of the power amplifier, power detector, filter, Switch, Low Noise Amplifier, 2170 MHz notch filtering and associated matching. The SE2579U provides a complete 2.4 GHz WLAN RF solution from the output of the transceiver to the antennas, and from the antennas to the input of the transceiver, in an ultra compact form factor.

The SE2579U is designed for ease of use, with all the critical matching and harmonic filtering integrated, also offering a simple 50 Ω interface to the antenna.

The SE2579U includes a low noise amplifier to increase the receive sensitivity of embedded solutions to improve range or to overcome the insertion loss of cellular filters often included for mobile applications. It offers simultaneous WLAN and Bluetooth receive mode.

The SE2579U also includes a transmitter power detector with 20 dB of dynamic range and a digital enable control for transmitter power ramp on/off control. The power ramp rise/fall time is 0.5 μs typical.

Functional Block Diagram

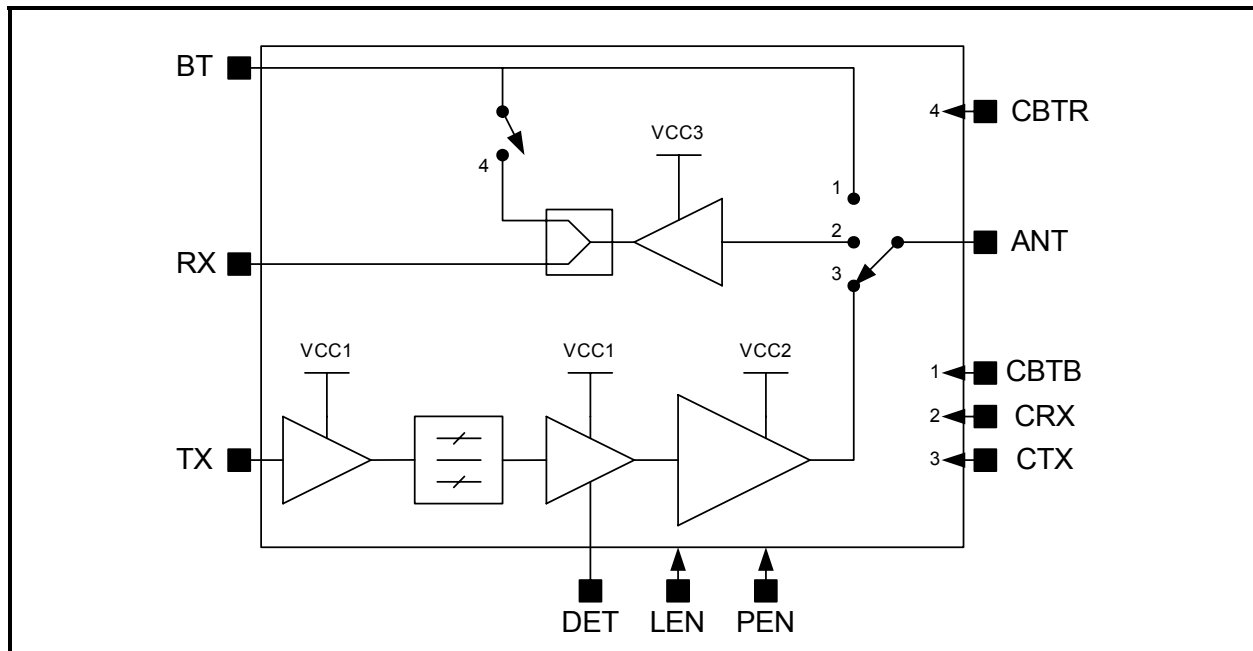


Figure 1: Functional Block Diagram

<http://www.sige.com>

Email: **sales@sige.com**

Customer Service Locations:

North America:
1050 Morrison Drive, Suite 100
Ottawa ON K2H 8K7 Canada

Phone: +1 613 820 9244
Fax: +1 613 820 4933

Hong Kong
Phone: +852 3428 7222
Fax: +852 3579 5450

San Diego
Phone: +1 858 668 3541 (ext. 226)
Fax: +1 858 668 3546

United Kingdom
Phone: +44 1279 464217
Fax: +44 1279 464201

Product Preview

The datasheet contains information from the product concept specification. SiGe Semiconductor, Inc. reserves the right to change information at any time without notification.

Preliminary Information

The datasheet contains information from the design target specification. SiGe Semiconductor, Inc. reserves the right to change information at any time without notification.

Production testing may not include testing of all parameters.

Information furnished is believed to be accurate and reliable and is provided on an "as is" basis. SiGe Semiconductor, Inc. assumes no responsibility or liability for the direct or indirect consequences of use of such information nor for any infringement of patents or other rights of third parties, which may result from its use. No license or indemnity is granted by implication or otherwise under any patent or other intellectual property rights of SiGe Semiconductor, Inc. or third parties. Specifications mentioned in this publication are subject to change without notice. This publication supersedes and replaces all information previously supplied. SiGe Semiconductor, Inc. products are NOT authorized for use in implantation or life support applications or systems without express written approval from SiGe Semiconductor, Inc.

Copyright 2009 SiGe Semiconductor, Inc.
All Rights Reserved

