

Applications

- IEEE802.11n OFDM WLAN
- Access Points, PCMCIA, PC cards

Features

- Dual Transmit Stream IEEE802.11g, IEEE802.11n
- Two Integrated PAs with Harmonic Filter, 3.2GHz Notch Filter and Reference Voltage Generator
- Integrated Positive Slope Power Detector
- 21 dBm, 802.11b, 11 Mbits, ACPR <-30 dBc
- 19 dBm @ 3.0 % EVM, 802.11g, 54 Mbits
- Single supply voltage: 3.3 V ± 10 %
- Lead free and RoHS compliant
- Small lead free plated package, 3 mm x 3 mm x 0.5 mm, MSL 1

Ordering Information

Part No.	Package	Remark
SE2566U	20 pin QFN	Samples
SE2566U-R	20 pin QFN	Tape & Reel
SE2566U-EK1	N/A	Evaluation kit

Product Description

The SE2566U is the smallest dual stream 2.5GHz power amplifier module for 802.11n MIMO applications. The module includes two power amplifier streams, an integrated reference voltage generator, a separate detector for each stream, harmonic filters and 3.2GHz notch filters.

The integrated transmit power detector offers 20dB of dynamic range, and is temperature compensated for consistent performance from 0 degC to 85 degC. The integrated reference voltage generator offers digital enable control, and eliminates the need for analog bias controls from the baseband while drawing less than 1uA.

The small 3mm x 3mm footprint of the SE2566U, together with the integrated 50 ohm match, detector, harmonic filter and 3.2-3.3 GHz trap filter, result in the industry's smallest 2-stream MIMO front end solution for today's very small half-minicard form factors.

An integrated receive path is located between the two transmit paths to offer the designer maximum layout flexibility in 2x2 or 2x3 architectures.

Functional Block Diagram

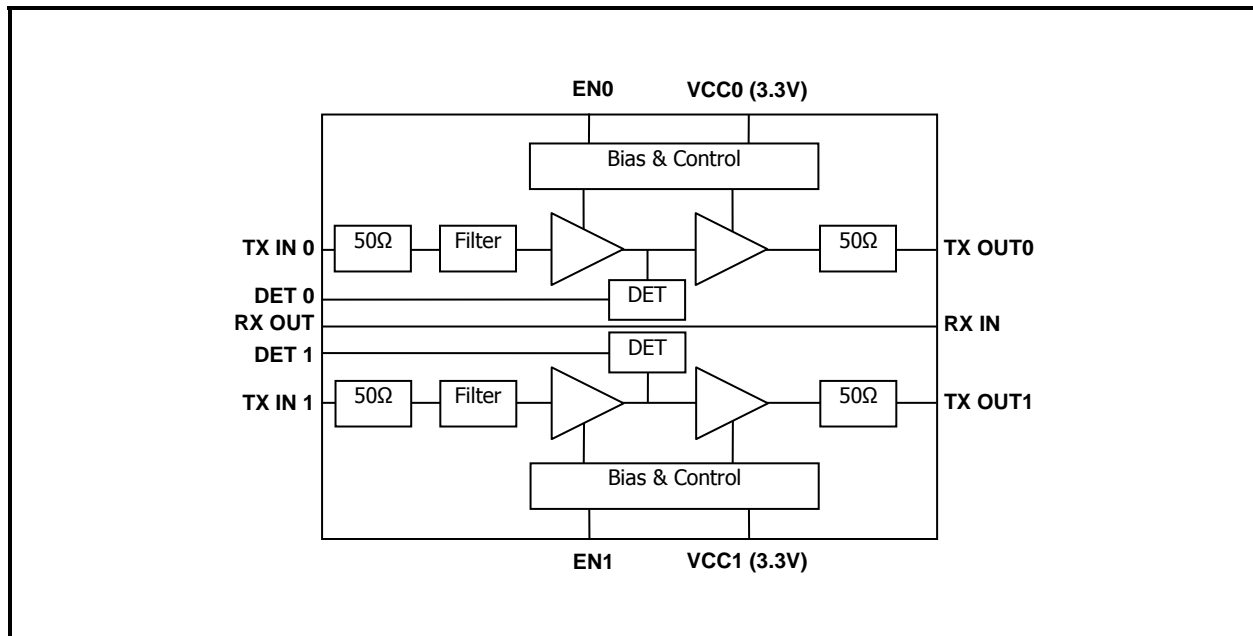


Figure 1: Functional Block Diagram

<http://www.sige.com>

Email: sales@sige.com

Customer Service Locations:

North America:
1050 Morrison Drive, Suite 100
Ottawa ON K2H 8K7 Canada

Phone: +1 613 820 9244
Fax: +1 613 820 4933

Hong Kong
Phone: +852 3428 7222
Fax: +852 3579 5450

San Diego
Phone: +1 858 668 3541 (ext. 226)
Fax: +1 858 668 3546

United Kingdom
Phone: +44 1279 464217
Fax: +44 1279 464201

Product Preview

The datasheet contains information from the product concept specification. SiGe Semiconductor, Inc. reserves the right to change information at any time without notification.

Preliminary Information

The datasheet contains information from the design target specification. SiGe Semiconductor, Inc. reserves the right to change information at any time without notification.

Production testing may not include testing of all parameters.

Information furnished is believed to be accurate and reliable and is provided on an "as is" basis. SiGe Semiconductor, Inc. assumes no responsibility or liability for the direct or indirect consequences of use of such information nor for any infringement of patents or other rights of third parties, which may result from its use. No license or indemnity is granted by implication or otherwise under any patent or other intellectual property rights of SiGe Semiconductor, Inc. or third parties. Specifications mentioned in this publication are subject to change without notice. This publication supersedes and replaces all information previously supplied. SiGe Semiconductor, Inc. products are NOT authorized for use in implantation or life support applications or systems without express written approval from SiGe Semiconductor, Inc.

Copyright 2008 SiGe Semiconductor, Inc.
All Rights Reserved