

## PCI-300



### STANDARD PCI SERIES

MODEL	PWR	OUTPUT #1	OUTPUT #2	OUTPUT #3	OUTPUT #4
PCI 304-1203	300	+5 @ 30A	+12 @ 8.0A	-12 @ 4.0A	+3.3 @ 15.0A

#### Featuring:

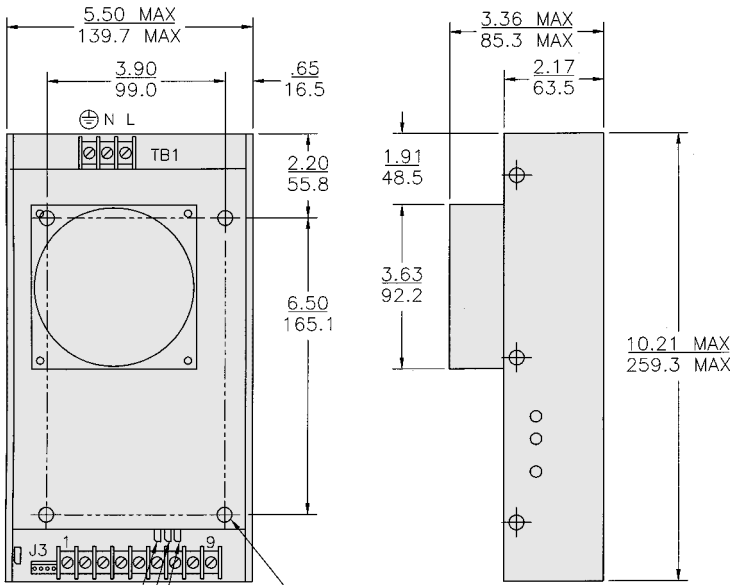
- Quad output
- Floating wide-range fourth output
- Flexible ratings
- Universal AC input
- 0.99 typical power factor
- Remote sense main
- AC power fail
- Available with or without fan
- Safety agency approved

The PCI-304 power supply series offers a combination of outputs designed for systems that require both high-current 5V and 3.3V outputs. Outputs #2 and #3 provide  $\pm 12$  volts up to 8 amps.

The series is extremely flexible, and it can be cooled using system airflow or by an integral ball-bearing fan (F option).

The fourth output is fully isolated and is easily configured to your system requirements.

**PCI-300**  
2.6 lbs 1.2 kgs



PEM #8-32  
1/4 MAX PENETRATION

- R161 #4V ADJ
- R160 #3V ADJ
- R159 #2V ADJ

**SPECIFICATIONS:**

**INPUT**

**AC Input:** 90 - 264 Vac continuous range, 47 to 63 Hz. Internally fused for 7 A.  
**Power Factor:** 0.99 typical at full load. Meets EN61000-3-2.  
**Inrush:** Cold start AC current limited to 20 A. at 115 Vac, 40 A. at 230 Vac. Limited by thermistor.  
**Brownout Protection:** Holds regulation to 85 Vac.  
**Holdup Time:** 20 ms minimum.  
**Efficiency:** 70% typical at full load nominal line.  
**AC Power Fail:** Provides TTL "0" 5 ms before output goes out of regulation band upon loss of input power.

**OUTPUT**

**Adjustability:** ± 5%  
**Line & Load Reg:** ± 1% over AC input range and minimum to maximum load, V1, V2, & V3. V4: ±2%  
**Minimum Load:** 10% on main to insure regulation of aux outputs.  
**Ripple & Noise:** Less than 1% p-p or 100 mV, whichever ever greater.  
**Remote Sense:** (Outputs V1, and V4) Compensates for 500 mv total line drop. Open sense lead protection.  
**Temperature Coefficient:** 0.02% per degree C.  
**Transient Response:** Output voltage returns to within 1% in less than 500 µs for a 50 % load change. Peak transient does not exceed 5%.  
**Overload Protection:** All outputs are protected against overload and short circuit. Automatic recovery upon removal of fault.  
**Overvoltage Protection:** Outputs V1, V2 & V3 protected against power supply induced over voltage condition. Factory set to 125% maximum.  
**Reverse Voltage:** Protected against reversed voltage up to supply current ratings.

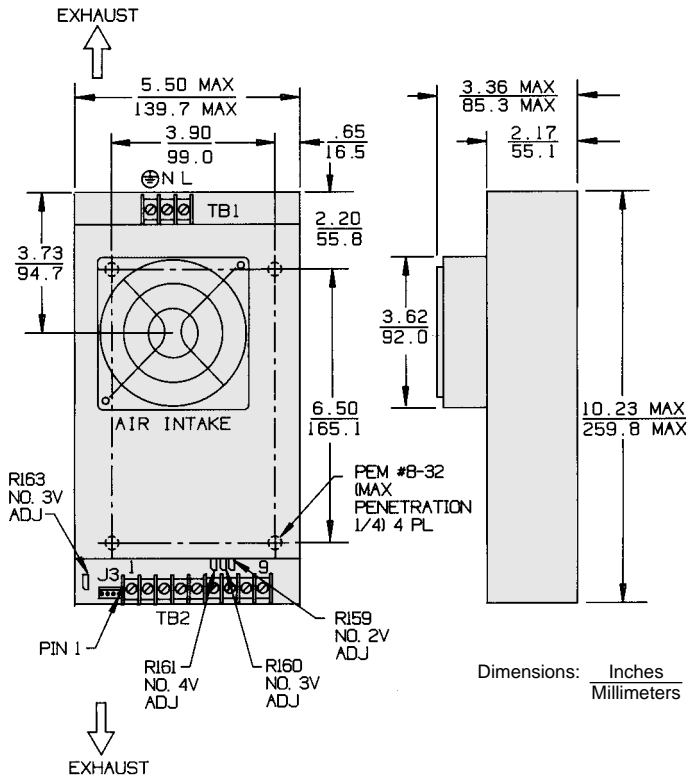
**ENVIRONMENTAL**

**Thermal Protection:** Shuts down power supply if overheated. Requires AC input to be recycled to reset.  
**Temperature Range:** 0° C to 50° C. at full ratings.  
**Safety Agencies:** Approved to UL 1950; CSA 22.2 # 234 (950); TUV EN60950, Class 1 SELV; CE 72/23/EEC/93/68EEC (low voltage directive).  
**Conducted RFI:** Meets FCC part 15, Subpart J class A, and CISPR 22 class A.  
**Output Isolation:** Isolated form ground 50Vdc.  
**Cooling:** 30CFM required to achieve full ratings.  
**Cooling:** Self-cooled by ball-bearing fan (F-option).

**OPTIONS:**

**Option F:** Integral ball-bearing fan  
 Consult factory for other available options.

**PCI-300 with Option F**  
3.2 lbs 1.5 kgs



Dimensions: Inches / Millimeters

**AC INPUT (90 - 264 VAC Continuous Range)**

FUNCTION	115 VAC	230 VAC	CONNECTOR
TB-1 (L)	Line	Line	Barrier strip #6-32 screw
TB-1 (N)	Neutral	Neutral	Barrier strip # 6-32 screw
TB-1 (GND)	Safety Ground	Safety Ground	Barrier strip #6-32 screw

**DC OUTPUT**

FUNCTION	LOCATION	NOTES	CONNECTOR
Output #1	TB-2-1,2 (+)	+5V Output	Barrier strip #6-32 Screw
	TB-2-3,4	Rtn (Common)	Barrier strip #6-32 screw
Output #2	TB-2-7 (+)	+12V Output	Barrier strip #6-32 screw
	TB-2-8	Rtn (Common)	Barrier strip #6-32 screw
Output #3	TB-2-9 (-)	-12V Output	Barrier strip #6-32 screw
	TB-2-8	Rtn (Common)	Barrier strip #6-32 screw
Output #4	TB-2-5	+3.3V Output	Barrier strip #6-32 screw
	TB-2-6	Rtn	Barrier strip #6-32 screw

**STATUS AND CONTROL**

FUNCTION	LOCATION	NOTES	CONNECTOR
Remote Sense	J3-1	3.3v Sense Rtn	Amp #640456-5*
	J3-2	3.3v Sense	Amp #640456-5
	J3-4	+5v Sense Rtn	Amp #640456-5
	J3-5	+5 Sense	Amp #640456-5
AC Power Fail	J3-3	Reference to com	Amp #640456-5

\*Mates with AMP # 640440-5 with contact sockets