

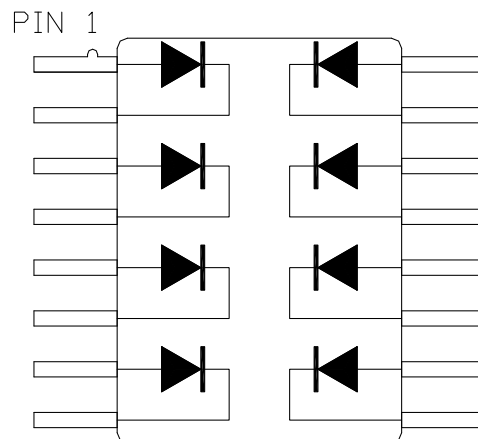
TECHNICAL DATA
PART NUMBER: SCP-4644

Diode Array

MAX. RATINGS / ELECTRICAL CHARACTERISTICS All rating at are $T_A = 25^{\circ}\text{C}$ unless otherwise specified

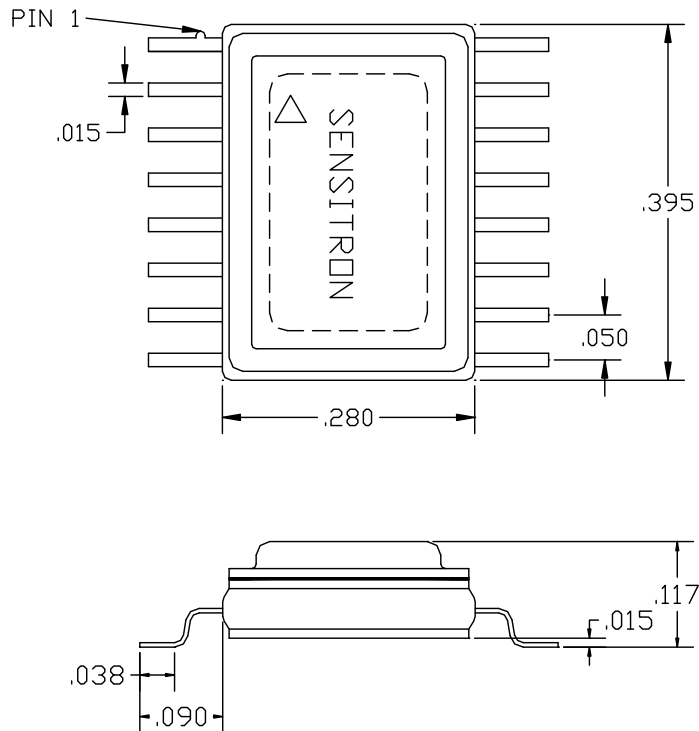
RATING	SYMBOL	MAX	UNIT
Peak Inverse Voltage (DC)	PIV	200	Volt
Average DC Output Current $T_A = 55^{\circ}\text{C}$ $T_A = 100^{\circ}\text{C}$	I_o	1.0 0.75	Amps
Peak Single Cycle Surge Current ($T_p=8.3\text{ms}$ single half-Sine wave superimposed on rated load)	I_{fsm}	13	Amps
Max. Operating Junction Temperature	T_{op}	+150	$^{\circ}\text{C}$
Storage Temperature Range	T_{stg}	-65 to +200	$^{\circ}\text{C}$
Maximum forward voltage @3.0A	V_f	1.6	Volts
Maximum Instantaneous Reverse Current At Rated (PIV)	$T_A = 25^{\circ}\text{C}$ $T_A = 100^{\circ}\text{C}$	0.5 25	μAmp
Max. Reverse Recovery Time $I_F = 0.5\text{A}$, $I_R = 1.0\text{A}$, $I_{RR} = 0.25\text{A}$	t_{rr}	150	ns
Thermal Resistance Junction to Case	θ_{JC}	21	$^{\circ}\text{C/W}$

Electrical Schematic



TECHNICAL DATA
PART NUMBER: SCP-4644

Mechanical Outline



- ❖ **Devices Are Serialized**
- ❖ **Built And Screened To Space Level Quality**
- ❖ **Space Quality Level Conformance Testing Is Performed On Each Lot**

-- Contact Sensitron for your Space Level Diode Arrays requirements --

Sensitron Semiconductor Address: 221 West Industry Court • Deer Park, NY 11729-4681
Tel: (631) 586-7600 • Fax: (631) 242-9798 • Web Site: <http://www.sensitron.com> • E-mail: sales@sensitron.com