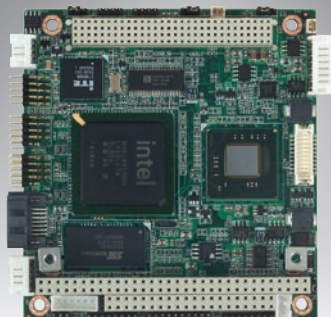


PCM-3362

Intel® Atom N450 PC/104-Plus SBC,VGA,
LVDS, LAN, USB, SATA,on-board flash

Preliminary



Features

- Intel® Atom N450 1.67 GHz Processor
- Supports DDR2 667 SDRAM up to 2 GB
- On board 2 GB flash (4 GB optional)
- Standard 96 x 90 mm dimension and support PC/104-Plus expansion connector
- Supports embedded software APIs and Utilities

Software APIs:



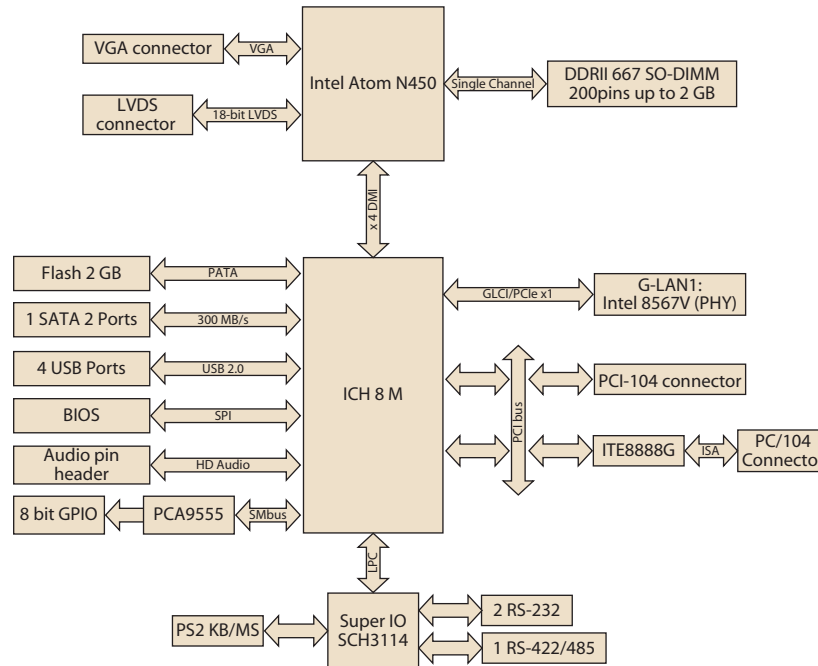
Utilities:



Specifications

Processor System	CPU	Intel Atom N450 1.67 GHz
	L2 Cache	512 KB
	Chipset	ICH8M
	BIOS	AMI 16-Mbit
Memory	Technology	DDR2 667 MHz
	Max. Capacity	2 GB
	Socket	1 x 200-pin SODIMM
Storage	CompactFlash	-
	On board flash	2 GB
	Serial ATA	1 SATA2 (300MB/s)
I/O Interface	LPT	-
	RS-232	2
	RS-422/485	1
	K/B	1
	Mouse	1
	USB	4 x USB 2.0
	I2C	1
	GPIO	8-bit general purpose Input/Output
Expansion Slot	PCI/104-Plus	1
Ethernet	Speed	10/100/1000 Mbps
	Controller	Intel 82567V
	Interface	1 x RJ-45 by cable
Display	Controller	Embedded Gen3.5+ GFX Core
	VRAM	Shared system memory up to 224 MB
	VGA	Supports up to SXGA 1400 x 1060 @ 60 Hz
	LVDS LCD	Single channel 18-bit LVDS up to WXGA 1366 x 768
	Dual Simultaneous Display	CRT + LVDS
Environment	Temperature	Operating 0 ~ 60° C (32 ~ 140° F) (operation humidity: 40° C @ 85% RH Non-Condensing) Non-Operating -40° C ~ 85° C and 60° C @ 95% RH Non-Condensing
Power	Power Type	AT/ATX
	Power Supply Voltage	5V only to boot up (12 V is optional for LCD inverter and add on card)
	Power Consumption Typical (WinXP Idle Mode)	+5 V @ 2 A, +12 V @ 5mA
	Power Consumption Max, Test in HCT	+5 V @ 2.37 A, +12 V @ 7mA
	Battery	Lithium 3 V / 210 mAH
Watchdog Timer	Output	System reset
	Interval	Programmable 1 ~ 255 sec
Physical Characteristics	Dimensions (L x W)	96 x 90 mm (3.8" x 3.5")
	Weight	0.162 kg (0.357 lb) (with heat-sink)

Board Diagram



Ordering Information

Part No.	CPU	Chipset	On board flash	CRT	TTL	LVDS	LAN	USB2.0	RS-232	RS-422/485	Operating Temp.	Embedded OS
PCM-3362N-S6A1E	Atom N450	ICH8M	2 GB	Yes	-	18-bit	1 GbE	4	2	1	0 ~ 60° C	Optional
PCM-3362Z-1GS6A1E	Atom N450	ICH8M	2 GB	Yes	-	18-bit	1 GbE	4	2	1	-20 ~ 80° C	Optional
PCM-3362Z2-1GS6A1E	Atom N450	ICH8M	2 GB	Yes	-	18-bit	1 GbE	4	2	1	-40 ~ 85° C	Optional

Packing List

Part No.	Description	Quantity
	PCM-3362 SBC	1
1700017863	LAN cable	1
1700000898	VGA cable	1
1703100260	2 port USB cable	1
1700071000	SATA data cable	1
1703150102	SATA Power Cable	1
1701200220	2 ports RS-232 COM cable	1
1703040157	RS-422/485 cable	1
1703060053	PS2 Keyboard/Mouse cable	1
1700060202	6P-6P-6P PS/2 KB/MS cable	1
1700002332	ATX power cable	1
1700003491	AT power cable	1
	Startup manual	1
	CD-ROM (Manual, Driver, Utility)	1

Optional Items

Part No.	Description
1960047106T001	PCM-3362 heatspreader