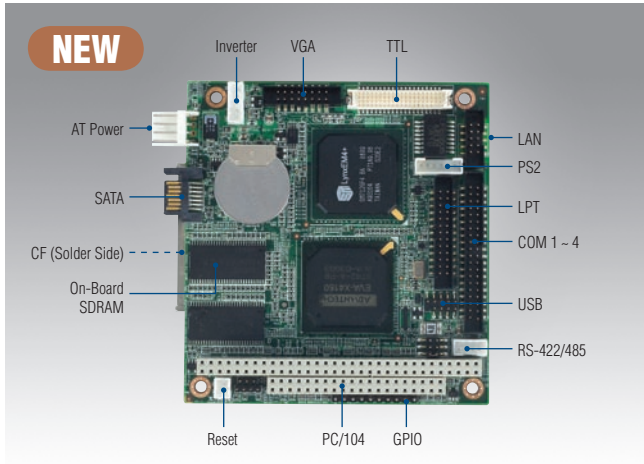


PCM-3342

x86 SoC PC/104 with VGA, LCD, LAN, USB, SATA, CF, PC/104



Features

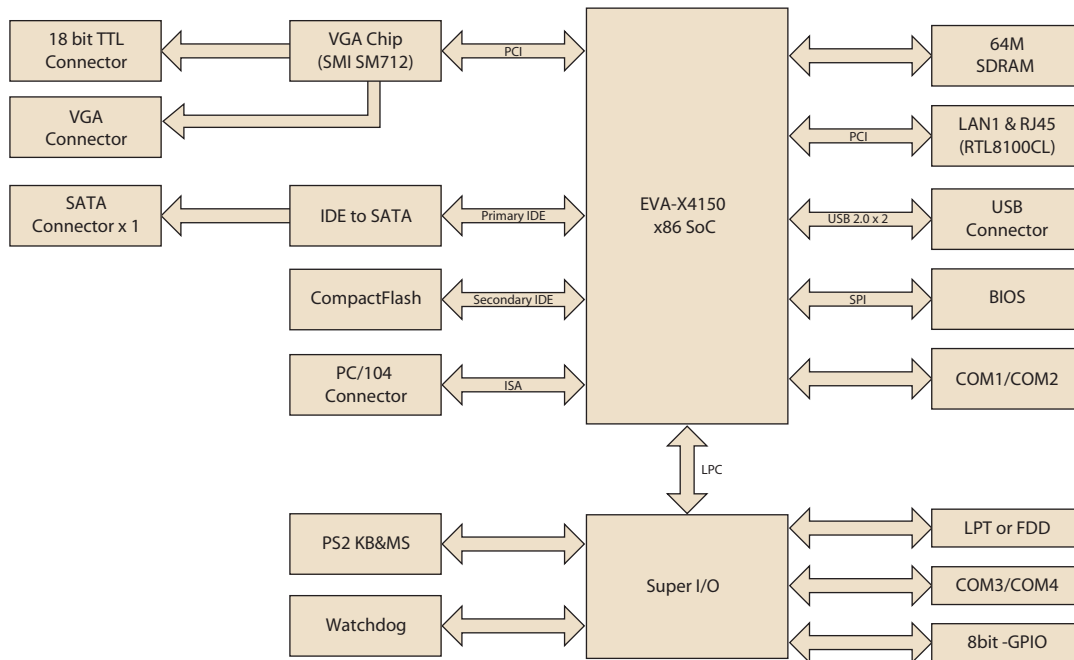
- Low Power x86 SoC
- 64 MB SDRAM onboard
- Supports 18bit TFT LCD
- Supports 4 COM Ports
- Supports 2 USB 2.0 Ports
- Supports Serial ATA Interface
- Total less then 6 W Power Consumption



Specifications

Processor System	CPU	Advantech EVA-X4150 SoC
	Front Side Bus	133 MHz
	Chipset	Advantech EVA-X4150 SoC
	BIOS	Award 4M bit
Memory	Technology	SDRAM
	Max. Capacity	64 MB
	Socket	On board 64 MB
SSD	CompactFlash	Card Type I
I/O Interface	LPT	1 (share with FDD)
	FDD	1 (share with LPT)
	RS-232	3
	RS-232/422/485	1
	K/B	1
	Mouse	1
	USB	2 x USB 2.0
	GPIO	8-bit general purpose input/output
SATA	Max. Data Transfer Rate	100 MB/s (Transfer from IDE)
	Channel	1
Expansion Slot	PC/104	1
Ethernet	Speed	10/100 Mbps
	Controller	Realtek RTL8100CL
	Interface	1 x RJ-45
Display	Controller	SMI SM712
	VRAM	4 MB internal memory
	TTL LCD	1 x 18 bit TTL
Environment	Dual Simultaneous Display	CRT + TTL
	Operation Temperature	0 ~ 60° C (32 ~ 140° F)
Power	Operating Humidity	0% ~ 90% relative humidity, non-condensing
	Power Type	AT
	Power Supply Voltage	5V only to boot up (12 V is optional for LCD inverter and add on card)
	Power Consumption (DOS)	1.19 A @ 5 V (PCM-3342F-64A1E)
	Power Management	-
Watchdog Timer	Battery	3 V/300 mAH
	Output	System reset
Physical Characteristics	Interval	Programmable 1 ~ 255 sec
	Dimensions (L x W)	96 x 90 mm (3.8" x 3.5")
	Weight	0.097 kg (0.214lb)

Board Diagram



Ordering Information

Model	CPU	L2 Cache	Chipset	SDRAM DIMM	CRT	LVDS	TTL	LAN	Audio	USB 2.0	RS-232	RS-232 /422/485	LPT	FDD	KB/MS	Expansion	Thermal	Operation Temp
PCM-3342F-64A1E	EVA-X4150	-	EVAX4-150	Onboard 64M	Yes	-	Yes	1 FE	-	2	3	1	1 (Share FDD)	1 (Share LPT)	Yes	PC/104	-	0 ~ 60° C
PCM-3342L-64A1E	EVA-X4150	-	EVAX4-150	Onboard 64M	-	-	-	1 FE	-	2	3	1	1 (Share FDD)	1 (Share LPT)	Yes	PC/104	-	0 ~ 60° C
PCM-3342FZ-64A1E	EVA-X4150	-	EVA-X4150	Onboard 64M	Yes	-	Yes	1 FE	-	2	3	1	1 (Share FDD)	1 (Share LPT)	Yes	PC/104	-	-20 ~ 80° C
PCM-3342FZ2-64A1E	EVA-X4150	-	EVA-X4150	Onboard 64M	Yes	-	Yes	1 FE	-	2	3	1	1 (Share FDD)	1 (Share LPT)	Yes	PC/104	-	-40 ~ 85° C

Packing List

Part No.	Description	Quantity
	PCM-3342 SBC	
	Startup Manual	
	Utility CD	
1700260250	Cable 25 cm 25P to 26P ASS'Y LPT Port 2.0 mm	1
1701100202	FLAT CABLE IDC10P 2.0 mm/RJ-45 20 cm PCM-9570 USE	1
1701160150	VGA Cable 15P to 16P 2.0 mm D-SUB 15 cm PCM-9550	1
1701400181	FLAT CABLE 18 cm IDC40P 2.0 mm/4COM PCM-9570 USE	1
1703040157	Wire RS-422/485 W/D-SUB COM 4P 15 cm	1
1703060053	Cable 6P (MINI-DIN)-6P (Wafer 2.0 mm) 6 cm	1
1700008894	SATA Cable	1
1703100121	Wire 10P 12 cm IDC 2.0 mm For USB 2 PORT	1
1700060202	CABLE 6P-6P-6P PS/2 KB & MOUSE 20cm	1

Optional Item

Part No.	Description
1700001531	LPT to FDD cable