

Features

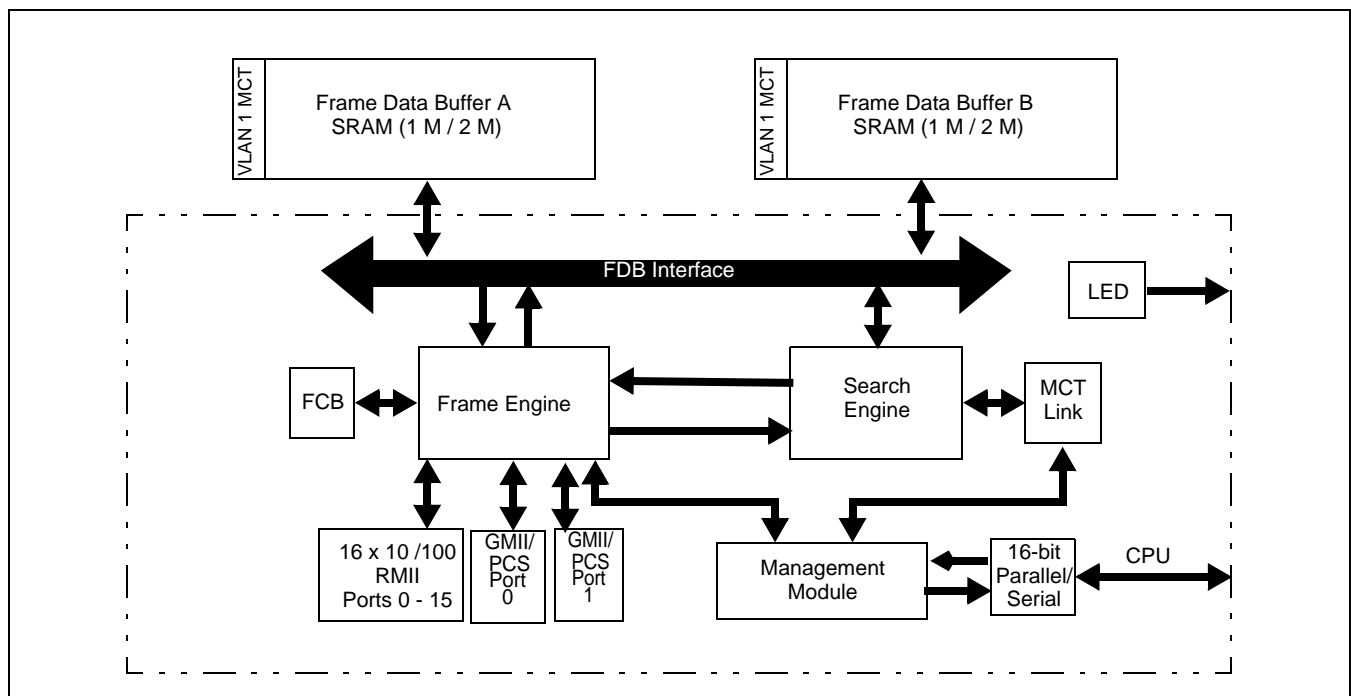
- Integrated Single-Chip 10/100/1000 Mbps Ethernet Switch
- 16 10/100 Mbps Autosensing, Fast Ethernet Ports with RMII or Serial Interface (7WS). Each port can independently use one of the two interfaces
- 2 Gigabit Ports with GMII, PCS and 10/100 interface options per port
- Gigabit port supports hot swap in managed configuration.
- Supports 8/16-bit CPU interface in managed mode
- Serial interface in unmanaged mode
- Supports two Frame Buffer Memory domains with SRAM at 100 MHz
- Supports memory size 2 MB, or 4 MB
 - Two SRAM domains (2 MB or 4 MB) are required
- Applies centralized shared memory architecture
- Up to 64 K MAC addresses
- Maximum throughput is 3.6 Gbps non-blocking
- High performance packet forwarding (10.712 M packets per second) at full wire speed

Ordering Information

ZL50418/GKC 553-pin HSBGA

-40°C to +85°C

- Provides port based and ID tagged VLAN support (IEEE 802.1Q), up to 255 VLANs
- Supports IP Multicast with IGMP snooping
- Supports spanning tree with CPU, on per port or per VLAN basis
- Packet Filtering and Port Security
 - Static address filtering for source and/or destination MAC
 - Static MAC address not subject to aging
- Secure mode freezes MAC address learning. Each port may independently use this mode.
- Full Duplex Ethernet IEEE 802.3x Flow Control
- Backpressure flow control for Half Duplex ports
- Supports Ethernet multicasting and broadcasting and flooding control
- Supports per-system option to enable flow control for best effort frames even on QoS-enabled ports


Figure 1 - ZL50418 System Block Diagram

-
- Traffic Classification
 - 4 transmission priorities for Fast Ethernet ports with 2 dropping levels
 - Classification based on:
 - Port based priority
 - VLAN Priority field in VLAN tagged frame
 - DS/TOS field in IP packet
 - UDP/TCP logical ports: 8 hard-wired and 8 programmable ports, including one programmable range
 - The precedence of the above classifications is programmable
 - QoS Support
 - Supports IEEE 802.1p/Q Quality of Service with 4 transmission priority queues with delay bounded, strict priority, and WFQ service disciplines
 - Provides 2 levels of dropping precedence with WRED mechanism
 - User controls the WRED thresholds
 - Buffer management: per class and per port buffer reservations
 - Port-based priority: VLAN priority in a tagged frame can be overwritten by the priority of Port VLAN ID
 - 3 port trunking groups, one for the 2 Gigabit ports, and two groups for 10/100 ports, with up to 4 10/100 ports per group. Or 8 groups for 10/100 ports with up to 2 10/100 ports per group
 - Load sharing among trunked ports can be based on source MAC and/or destination MAC. The Gigabit trunking group has one more option, based on source port
 - Port Mirroring to any two ports of 0-15 in managed mode or to a dedicated mirroring port in unmanaged mode
 - Full set of LED signals provided by a serial interface, or 6 LED signals dedicated to Gigabit port status only (without serial interface)
 - Built-in MIB statistics counters
 - Recognizes Simple Bandwidth Management (SBM) and Resource Reservation Protocol (RSVP) packets and forwards to CPU
 - Hardware auto-negotiation through serial management interface (MDIO) for Ethernet ports
 - Built-in reset logic triggered by system malfunction
 - Built-in self test for internal and external SRAM
 - I²C EEPROM for configuration
 - 553 BGA package

Description

The ZL50418 is a high density, low cost, high performance, non-blocking Ethernet switch chip. A single chip provides 16 ports at 10/100 Mbps, 2 ports at 1000 Mbps and a CPU interface for managed and unmanaged switch applications. The Gigabit ports can also support 10/100 M.

The chip supports up to 64 K MAC addresses and up to 255 port-based Virtual LANs (VLANs). The centralized shared memory architecture permits a very high performance packet forwarding rate at up to 9.524 M packets per second at full wire speed. The chip is optimized to provide low-cost, high-performance workgroup switching.

Two Frame Buffer Memory domains utilize cost-effective, high-performance synchronous SRAM with aggregate bandwidth of 12.8 Gbps to support full wire speed on all ports simultaneously.

With delay bounded, strict priority, and/or WFQ transmission scheduling, and WRED dropping schemes, the ZL50418 provides powerful QoS functions for various multimedia and mission-critical applications. The chip provides 4 transmission priorities (8 priorities per Gigabit port) and 2 levels of dropping precedence. Each packet is assigned a transmission priority and dropping precedence based on the VLAN priority field in a VLAN tagged frame, or the DS/TOS field, and UDP/TCP logical port fields in IP packets. The ZL50418 recognizes a total of 16 UDP/TCP logical ports, 8 hard-wired and 8 programmable (including one programmable range).

The ZL50418 supports 3 groups of port trunking/load sharing. One group is dedicated to the two Gigabit ports, and the other two groups to 10/100 ports where each 10/100 group can contain up to 4 ports. Port trunking/load sharing can be used to group ports between interlinked switches to increase the effective network bandwidth.

In half-duplex mode all ports support backpressure flow control to minimize the risk of losing data during long activity bursts. In full-duplex mode, IEEE 802.3x flow control is provided. The ZL50418 also supports a per-system option to enable flow control for best effort frames, even on QoS-enabled ports.

The Physical Coding Sublayer (PCS) is integrated on-chip to provide a direct 10-bit interface for connection to SERDES chips. The PCS can be bypassed to provide a GMII interface.

Statistical information for SNMP and the Remote Monitoring Management Information Base (RMON MIB) are collected independently for all ports. Access to these statistical counters/registers is provided via the CPU interface. SNMP Management frames can be received and transmitted via the CPU interface, creating a complete network management solution.

The ZL50418 is fabricated using 0.25 micron technology. Inputs, however, are 3.3 V tolerant, and the outputs are capable of directly interfacing to LVTTTL levels. The ZL50418 is packaged in a 553-pin Ball Grid Array package.

Table of Contents

1.0 Block Functionality	13
1.1 Frame Data Buffer (FDB) Interfaces	13
1.2 GMII/PCS MAC Module (GMAC)	13
1.3 Physical Coding Sublayer (PCS) Interface	13
1.4 10/100 MAC Module (RMAC)	14
1.5 CPU Interface Module	14
1.6 Management Module	14
1.7 Frame Engine	14
1.8 Search Engine	14
1.9 LED Interface	14
1.10 Internal Memory	14
2.0 System Configuration	15
2.1 Management and Configuration	15
2.2 Managed Mode	15
2.3 Register Configuration, Frame Transmission, and Frame Reception	15
2.3.1 Register Configuration	15
2.3.2 Rx/Tx of Standard Ethernet Frames	16
2.3.3 Control Frames	16
2.3.4 Unmanaged Mode	17
2.4 I ² C Interface	17
2.4.1 Start Condition	17
2.4.2 Address	17
2.4.3 Data Direction	17
2.4.4 Acknowledgment	17
2.4.5 Data	18
2.4.6 Stop Condition	18
2.5 Synchronous Serial Interface	18
2.5.1 Write Command	19
2.5.2 Read Command	19
3.0 ZL50418 Data Forwarding Protocol	19
3.1 Unicast Data Frame Forwarding	19
3.2 Multicast Data Frame Forwarding	20
3.3 Frame Forwarding To and From CPU	20
4.0 Memory Interface	21
4.1 Overview	21
4.2 Detailed Memory Information	21
4.3 Memory Requirements	22
5.0 Search Engine	23
5.1 Search Engine Overview	23
5.2 Basic Flow	23
5.3 Search, Learning, and Aging	24
5.3.1 MAC Search	24
5.3.2 Learning	24
5.3.3 Aging	24
5.3.4 VLAN Table	24
5.4 MAC Address Filtering	25
5.5 Quality of Service	26
5.6 Priority Classification Rule	27
5.7 Port and Tag Based VLAN	27
5.8 Port-Based VLAN	27
5.8.1 Tag-Based VLAN	28
5.9 Memory Configurations	28

Table of Contents

6.0 Frame Engine	31
6.1 Data Forwarding Summary	31
6.2 Frame Engine Details	31
6.2.1 FCB Manager	31
6.2.2 Rx Interface	31
6.2.3 RxDMA	31
6.2.4 TxQ Manager	32
6.3 Port Control	32
6.4 TxDMA	32
7.0 Quality of Service and Flow Control	32
7.1 Model	32
7.2 Four QoS Configurations	33
7.3 Delay Bound	34
7.4 Strict Priority and Best Effort	35
7.5 Weighted Fair Queuing	35
7.6 Shaper	35
7.7 Rate Control	36
7.8 WRED Drop Threshold Management Support	37
7.9 Buffer Management	37
7.9.1 Dropping When Buffers Are Scarce	38
7.10 ZL50418 Flow Control Basics	38
7.10.1 Unicast Flow Control	39
7.10.2 Multicast Flow Control	39
7.11 Mapping to IETF Diffserv Classes	40
8.0 Port Trunking	41
8.1 Features and Restrictions	41
8.2 Unicast Packet Forwarding	41
8.3 Multicast Packet Forwarding	41
8.4 Unmanaged Trunking	41
9.0 Port Mirroring	42
9.1 Port Mirroring Features	42
9.2 Setting Registers for Port Mirroring	42
10.0 TBI Interface	43
10.1 TBI Connection	43
11.0 GPSI (7WS) Interface	44
11.1 GPSI connection	44
11.2 SCAN LINK and SCAN COL interface	45
12.0 LED Interface	45
12.1 LED Interface Introduction	45
12.2 Port Status	45
12.3 LED Interface Timing Diagram	46
13.0 Hardware Statistics Counter	47
13.1 Hardware Statistics Counters List	47
13.2 EEE 802.3 HUB Management (RFC 1516)	48
13.2.1 Event Counters	48
13.2.1.1 ReadableOctet	48
13.2.1.2 ReadableFrame	48
13.2.1.3 FCSErrors	49
13.2.1.4 AlignmentErrors	49
13.2.1.5 FrameTooLongs	49
13.2.1.6 ShortEvents	49

Table of Contents

13.2.1.7 Runts	50
13.2.1.8 Collisions	50
13.2.1.9 LateEvents	50
13.2.1.10 VeryLongEvents	50
13.2.1.11 DataRateMisatches	50
13.2.1.12 AutoPartitions	50
13.2.1.13 TotalErrors	50
13.3 IEEE – 802.1 Bridge Management (RFC 1286)	51
13.3.1 Event Counters	51
13.3.1.1 InFrames	51
13.3.1.2 OutFrames	51
13.3.1.3 InDiscards	51
13.3.1.4 DelayExceededDiscards	51
13.3.1.5 MtuExceededDiscards	51
13.4 RMON – Ethernet Statistic Group (RFC 1757)	51
13.4.1 Event Counters	51
13.4.1.1 Drop Events	51
13.4.1.2 Octets	51
13.4.1.3 BroadcastPkts	51
13.4.1.4 MulticastPkts	51
13.4.1.5 CRCAlignErrors	52
13.4.1.6 UndersizePkts	52
13.4.1.7 OversizePkts	52
13.4.1.8 Fragments	52
13.4.1.9 Jabbers	52
13.4.1.10 Collisions	53
13.4.1.11 Packet Count for Different Size Groups	53
13.5 Miscellaneous Counters	53
14.0 Register Definition	54
14.1 ZL50418 Register Description	54
14.2 Directly Accessed Registers	60
14.2.1 INDEX_REG0	60
14.2.2 INDEX_REG1 (only needed for 8-bit mode)	60
14.2.3 DATA_FRAME_REG	60
14.2.4 CONTROL_FRAME_REG	60
14.2.5 COMMAND&STATUS Register	60
14.2.6 Interrupt Register	61
14.2.7 Control Command Frame Buffer1 Access Register	62
14.2.8 Control Command Frame Buffer2 Access Register	62
14.3 (Group 0 Address) MAC Ports Group	62
14.3.1 ECR1Pn: Port N Control Register	62
14.3.2 ECR2Pn: Port N Control Register	63
14.3.3 GGControl – Extra GIGA Port Control	64
14.4 (Group 1 Address) VLAN Group	65
14.4.1 AVTCL – VLAN Type Code Register Low	65
14.4.2 AVTCH – VLAN Type Code Register High	65
14.4.3 PVMAP00_0 – Port 00 Configuration Register 0	65
14.4.4 PVMAP00_1 – Port 00 Configuration Register 1	66
14.4.5 PVMAP00_3 – Port 00 Configuration Register 3	66
14.5 Port Configuration Registers	68
14.5.1 PVMODE	68
14.5.2 PVROUTE 0	69

Table of Contents

14.5.3 PVRROUTE1	70
14.5.4 PVRROUTE2	70
14.5.5 PVRROUTE3	70
14.5.6 PVRROUTE4	71
14.5.7 PVRROUTE5	71
14.5.8 PVRROUTE6	71
14.5.9 PVRROUTE7	72
14.6 (Group 2 Address) Port Trunking Groups	72
14.6.1 TRUNK0_L – Trunk group 0 Low (Managed mode only)	72
14.6.2 TRUNK0_M – Trunk group 0 Medium (Managed mode only)	72
14.6.3 TRUNK0_MODE – Trunk group 0 mode	73
14.6.4 TRUNK0_HASH0 – Trunk group 0 hash result 0 destination port number	73
14.6.5 TRUNK0_HASH1 – Trunk group 0 hash result 1 destination port number	74
14.6.6 TRUNK0_HASH2 – Trunk group 0 hash result 2 destination port number	74
14.6.7 TRUNK0_HASH3 – Trunk group 0 hash result 3 destination port number	74
14.6.8 TRUNK1_L – Trunk group 1 Low (Managed mode only)	74
14.6.9 TRUNK1_M – Trunk group 1 Medium Managed mode only	74
14.6.10 TRUNK1_MODE – Trunk group 1 mode	74
14.6.11 TRUNK1_HASH0 – Trunk group 1 hash result 0 destination port number	75
14.6.12 TRUNK1_HASH1 – Trunk group 1 hash result 1 destination port number	75
14.6.13 TRUNK1_HASH2 – Trunk group 1 hash result 2 destination port number	75
14.6.14 TRUNK1_HASH3 – Trunk group 1 hash result 3 destination port number	75
14.6.15 TRUNK2_MODE – Trunk group 2 mode (Gigabit ports 1 and 2)	75
14.6.16 TRUNK2_HASH0 – Trunk group 2 hash result 0 destination port number	76
14.6.17 TRUNK2_HASH1 – Trunk group 2 hash result 1 destination port number	76
14.6.18 Multicast Hash Registers	76
14.6.18.1 Multicast_HASH0-0 – Multicast hash result 0 mask byte 0	76
14.6.18.2 Multicast_HASH0-1 – Multicast hash result 0 mask byte 1	77
14.6.18.3 Multicast_HASH0-3 – Multicast hash result 0 mask byte 3	77
14.6.18.4 Multicast_HASH1-0 – Multicast hash result 1 mask byte 0	77
14.6.18.5 Multicast_HASH1-1 – Multicast hash result 1 mask byte 1	77
14.6.18.6 Multicast_HASH1-3 – Multicast hash result 1 mask byte 3	77
14.6.18.7 Multicast_HASH2-0 – Multicast hash result 2 mask byte 0	77
14.6.18.8 Multicast_HASH2-1 – Multicast hash result 2 mask byte 1	77
14.6.18.9 Multicast_HASH2-3 – Multicast hash result 2 mask byte 3	78
14.6.18.10 Multicast_HASH3-0 – Multicast hash result 3 mask byte 0	78
14.6.18.11 Multicast_HASH3-1 – Multicast hash result 3 mask byte 1	78
14.6.18.12 Multicast_HASH3-3 – Multicast hash result 3 mask byte 3	78
14.7 (Group 3 Address) CPU Port Configuration Group	78
14.7.1 MAC0 – CPU Mac address byte 0	78
14.7.2 MAC1 – CPU Mac address byte 1	78
14.7.3 MAC2 – CPU Mac address byte 2	79
14.7.4 MAC3 – CPU Mac address byte 3	79
14.7.5 MAC4 – CPU Mac address byte 4	79
14.7.6 MAC5 – CPU Mac address byte 5	79
14.7.7 INT_MASK0 – Interrupt Mask 0	79
14.7.8 INTP_MASK0 – Interrupt Mask for MAC Port 0,1	80
14.7.9 INTP_MASK1 – Interrupt Mask for MAC Port 2,3	80
14.7.10 INTP_MASK2 – Interrupt Mask for MAC Port 4,5	80
14.7.11 INTP_MASK3 – Interrupt Mask for MAC Port 6,7	80
14.7.12 INTP_MASK4 – Interrupt Mask for MAC Port 8,9	80
14.7.13 INTP_MASK5 – Interrupt Mask for MAC Port 10,11	80

Table of Contents

14.7.14	INTP_MASK6 – Interrupt Mask for MAC Port 12,13	80
14.7.15	INTP_MASK7 – Interrupt Mask for MAC Port 14,15	81
14.7.16	INTP_MASK12 – Interrupt Mask for MAC Port G1,G2	81
14.7.17	RQS – Receive Queue Select CPU Address:h323	81
14.7.18	RQSS – Receive Queue Status	81
14.8	(Group 4 Address) Search Engine Group	82
14.8.1	AGETIME_LOW – MAC address aging time Low	82
14.8.2	AGETIME_HIGH –MAC address aging time High	82
14.8.3	+SCAN – SCAN Control Register (default 00)	83
14.9	(Group 5 Address) Buffer Control/QOS Group	83
14.9.1	FCBAT – FCB Aging Timer	83
14.9.2	QOSC – QOS Control	83
14.9.3	FCR – Flooding Control Register	84
14.9.4	AVPML – VLAN Tag Priority Map	85
14.9.5	AVPMM – VLAN Priority Map	85
14.9.6	AVPMH – VLAN Priority Map	85
14.9.7	TOSPML – TOS Priority Map	86
14.9.8	TOSPMH – TOS Priority Map	86
14.9.9	TOSPMH – TOS Priority Map	86
14.9.10	AVDM – VLAN Discard Map	87
14.9.11	TOSDML – TOS Discard Map	87
14.9.12	BMRC - Broadcast/Multicast Rate Control	88
14.9.13	UCC – Unicast Congestion Control	88
14.9.14	MCC – Multicast Congestion Control	88
14.9.15	PR100 – Port Reservation for 10/100 ports	89
14.9.16	PRG – Port Reservation for Giga ports	89
14.9.17	SFCB – Share FCB Size	90
14.9.18	C2RS – Class 2 Reserve Size	90
14.9.19	C3RS – Class 3 Reserve Size	90
14.9.20	C4RS – Class 4 Reserve Size	90
14.9.21	C5RS – Class 5 Reserve Size	91
14.9.22	C6RS – Class 6 Reserve Size	91
14.9.23	C7RS – Class 7 Reserve Size	91
14.9.24	QOSCn - Classes Byte Limit Set 0	91
14.9.25	Classes Byte Limit Set 1	92
14.9.26	Classes Byte Limit Set 2	92
14.9.27	Classes Byte Limit Set 3	92
14.9.28	Classes Byte Limit Giga Port 1	92
14.9.29	Classes Byte Limit Giga Port 2	93
14.9.30	Classes WFQ Credit Set 0	93
14.9.31	Classes WFQ Credit Set 1	93
14.9.32	Classes WFQ Credit Set 2	94
14.9.33	Classes WFQ Credit Set 3	94
14.9.34	Classes WFQ Credit Port G1	94
14.9.35	Classes WFQ Credit Port G2	95
14.9.36	Class 6 Shaper Control Port G1	95
14.9.37	Class 6 Shaper Control Port G2	95
14.9.38	RDRC0 – WRED Rate Control 0	96
14.9.39	RDRC1 – WRED Rate Control 1	96
14.9.40	User Defined Logical Ports and Well Known Ports	96
14.9.40.1	USER_PORT0_(0~7) – User Define Logical Port (0~7)	97
14.9.40.2	USER_PORT_[1:0]_PRIORITY - User Define Logic Port 1 and 0 Priority	97

Table of Contents

14.9.40.3	USER_PORT_[3:2]_PRIORITY - User Define Logic Port 3 and 2 Priority	98
14.9.40.4	USER_PORT_[5:4]_PRIORITY - User Define Logic Port 5 and 4 Priority	98
14.9.40.5	USER_PORT_[7:6]_PRIORITY - User Define Logic Port 7 and 6 Priority	98
14.9.40.6	USER_PORT_ENABLE[7:0] – User Define Logic 7 to 0 Port Enables	98
14.9.40.7	WELL_KNOWN_PORT[1:0] PRIORITY- Well Known Logic Port 1 and 0 Priority	98
14.9.40.8	WELL_KNOWN_PORT[3:2] PRIORITY- Well Known Logic Port 3 and 2 Priority	99
14.9.40.9	WELL_KNOWN_PORT [5:4] PRIORITY- Well Known Logic Port 5 and 4 Priority	99
14.9.40.10	WELL_KNOWN_PORT [7:6] PRIORITY- Well Known Logic Port 7 and 6 Priority	99
14.9.40.11	WELL_KNOWN_PORT_ENABLE [7:0] – Well Known Logic 7 to 0 Port Enables.	100
14.9.40.12	RLOWL – User Define Range Low Bit 7:0	100
14.9.40.13	RLOWH – User Define Range Low Bit 15:8.	100
14.9.40.14	RHIGHL – User Define Range High Bit 7:0	100
14.9.40.15	RHIGHH – User Define Range High Bit 15:8.	100
14.9.40.16	RPRIORITY – User Define Range Priority	100
14.9.41	CPUQOSC123.	101
14.10	(Group 6 Address) MISC Group	101
14.10.1	MII_OP0 – MII Register Option 0.	101
14.10.2	MII_OP1 – MII Register Option 1.	102
14.10.3	FEN – Feature Register	102
14.10.4	MIIC0 – MII Command Register 0	103
14.10.5	MIIC1 – MII Command Register 1	103
14.10.6	MIIC2 – MII Command Register 2	103
14.10.7	MIIC3 – MII Command Register 3	104
14.10.8	MIID0 – MII Data Register 0.	104
14.10.9	MIID1 – MII Data Register 1.	104
14.10.10	LED Mode – LED Control.	104
14.10.11	DEVICE Mode	105
14.10.12	CHECKSUM - EEPROM Checksum	105
14.11	(Group 7 Address) Port Mirroring Group	105
14.11.1	MIRROR1_SRC – Port Mirror source port.	105
14.11.2	MIRROR1_DEST – Port Mirror destination	106
14.11.3	MIRROR2_SRC – Port Mirror source port.	106
14.11.4	MIRROR2_DEST – Port Mirror destination	106
14.12	Group F Address) CPU Access Group	107
14.12.1	GCR-Global Control Register.	107
14.12.2	DCR-Device Status and Signature Register	107
14.12.2.1	DCR1-Giga port status	108
14.12.3	DPST – Device Port Status Register	109
14.12.4	DTST – Data read back register	109
14.12.5	PLLCR - PLL Control Register.	110
14.12.6	LCLK - LA_CLK delay from internal OE_CLK	110
14.12.7	OECLK - Internal OE_CLK delay from SCLK	111
14.12.8	DA – DA Register.	111
14.13	TBI Registers.	111
14.13.1	Control Register.	111
14.13.2	Status Register.	112
14.13.3	Advertisement Register	113
14.13.4	Link Partner Ability Register.	113
14.13.5	Expansion Register	114
14.13.6	Extended Status Register	114
15.0	BGA and Ball Signal Descriptions	115
15.1	BGA Views (TOP Views).	115

Table of Contents

15.1.1 Encapsulated view in unmanaged mode	115
15.1.2 Encapsulated view in managed mode	116
15.2 Ball – Signal Descriptions in Managed Mode	117
15.2.1 Ball Signal Descriptions in Managed Mode	117
15.2.2 Ball – Signal Descriptions in Unmanaged Mode	126
15.3 Ball – Signal Name in Unmanaged Mode	134
15.4 Ball – Signal Name in Managed Mode	140
15.5 AC/DC Timing	146
15.5.1 Absolute Maximum Ratings	146
15.5.4 Typical Reset & Bootstrap Timing Diagram	147
15.5.5 Typical CPU Timing Diagram for a CPU Write Cycle.	148
15.5.6 Typical CPU Timing Diagram for a CPU Read Cycle	149
15.6 Local Frame Buffer SDRAM Memory Interface	150
15.6.1 Local SDRAM Memory Interface	150
15.7 Local Switch Database SDRAM Memory Interface	151
15.7.1 Local SDRAM Memory Interface	151
15.8 AC Characteristics	153
15.8.1 Reduced Media Independent Interface	153
15.8.2 Gigabit Media Independent Interface	154
15.8.3 LED Interface	158
15.8.4 SCANLINK SCANCOL Output Delay Timing	158
15.8.5 MDIO Input Setup and Hold Timing	159
15.8.6 I ² C Input Setup Timing	160
15.8.7 Serial Interface Setup Timing	161

List of Figures

Figure 1 - ZL50418 System Block Diagram	1
Figure 2 - Overview of the CPU Interface	15
Figure 3 - Data Transfer Format for I2C Interface	17
Figure 4 - Write Command	19
Figure 5 - Read Command	19
Figure 6 - ZL50418 SRAM Interface Block Diagram (DMAs for 10/1000 Ports Only).	21
Figure 7 - Memory Map	22
Figure 8 - Priority Classification Rule	27
Figure 9 - Memory Configuration For: 2 Banks, 1 Layer, 2 MB Total	29
Figure 10 - Memory Configuration For: 2 Banks, 2 Layer, 4 MB Total	30
Figure 11 - Memory Configuration For: 2 Banks, 1 Layer, 4 MB	30
Figure 12 - Behaviour of the WRED Logic	37
Figure 13 - Buffer Partition Scheme Used to Implement Buffer Management	38
Figure 14 - TBI Connection	43
Figure 15 - GPSI (7WS) Mode Connection Diagram	44
Figure 16 - SCAN LINK and SCAN COLLISION Status Diagram	45
Figure 17 - Timing Diagram of LED Interface	46
Figure 18 - Typical Reset & Bootstrap Timing Diagram	147
Figure 19 - Typical CPU Timing Diagram for a CPU Write Cycle	148
Figure 20 - Typical CPU Timing Diagram for a CPU Read Cycle	149
Figure 21 - Local Memory Interface – Input Setup and Hold Timing	150
Figure 22 - Local Memory Interface - Output Valid Delay Timing	150
Figure 23 - Local Memory Interface – Input Setup and Hold Timing	151
Figure 24 - Local Memory Interface - Output Valid Delay Timing	152
Figure 25 - AC Characteristics – Reduced Media Independent Interface	153
Figure 26 - AC Characteristics – Reduced Media Independent Interface	153
Figure 27 - AC Characteristics- GMII	154
Figure 28 - AC Characteristics – Gigabit Media Independent Interface	154
Figure 29 - Gigabit TBI Interface Transmit Timing	155
Figure 30 - Gigabit TBI Interface Receive Timing	155
Figure 31 - AC Characteristics- GMII	155
Figure 32 - AC Characteristics – Gigabit Media Independent Interface	156
Figure 33 - Gigabit TBI Interface Transmit Timing	156
Figure 34 - Gigabit TBI Interface Timing	157
Figure 35 - AC Characteristics – LED Interface	158
Figure 36 - SCANLINK SCANCOL Output Delay Timing	158
Figure 37 - SCANLINK, SCANCOL Setup Timing	158
Figure 38 - MDIO Input Setup and Hold Timing	159
Figure 39 - MDIO Output Delay Timing	159
Figure 40 - I ² C Input Setup Timing	160
Figure 41 - I ² C Output Delay Timing	160
Figure 42 - Serial Interface Setup Timing	161
Figure 43 - Serial Interface Output Delay Timing	161

List of Tables

Table 1 - Memory Configuration	22
Table 2 - VLAN Index Mapping Table	25
Table 3 - VLAN Index Port Association Table	25
Table 4 - Port-Based VLAN	27
Table 5 - Supported Memory Configurations (Pipeline SDRAM Mode)	28
Table 6 - Options for Memory Configuration	29
Table 7 - Two-Dimensional World Traffic	32
Table 8 - Four QoS Configurations for a 10/100 Mbps Port	34
Table 9 - Four QoS Configurations for a Gigabit Port	34
Table 10 - Mapping between ZL50418 and IETF Diffserv Classes for Gigabit Ports	40
Table 11 - Mapping between ZL50418 and IETF Diffserv Classes for 10/100 Ports	40
Table 12 - ZL50418 Features Enabling IETF Diffserv Standards	40
Table 13 - Select via trunk0_mode register	41
Table 14 - Select via trunk1_mode register	42
Table 15 - Unmanaged Mode	42
Table 16 - Reset & Bootstrap Timing	147
Table 17 - Write Cycle	148
Table 18 - Read Cycle	149
Table 19 - AC Characteristics – Local Frame Buffer SDRAM Memory Interface	151
Table 20 - AC Characteristics – Local Switch Database SDRAM Memory Interface	152
Table 21 - AC Characteristics – Reduced Media Independent Interface	153
Table 22 - AC Characteristics – Gigabit Media Independent Interface	154
Table 23 - Output Delay Timing	155
Table 24 - Input Setup Timing	155
Table 25 - AC Characteristics – Gigabit Media Independent Interface	156
Table 26 - Output Delay Timing	157
Table 27 - Input Setup Timing	157
Table 28 - AC Characteristics – LED Interface	158
Table 29 - SCANLINK, SCANCOL Timing	159
Table 31 - I ² C Timing	160
Table 30 - MDIO Timing	160
Table 32 - Serial Interface Timing	161

1.0 Block Functionality

1.1 Frame Data Buffer (FDB) Interfaces

The FDB interface supports pipelined synchronous burst SRAM (SBRAM) memory at 100 MHz. To ensure a non-blocking switch, two memory domains are required. Each domain has a 64 bit wide memory bus. At 100 MHz, the aggregate memory bandwidth is 12.8 Gbps, which is enough to support 16 10/100 Mbps and 2 Gigabit ports at full wire speed switching.

The Switching Database is also located in the external SRAM; it is used for storing MAC addresses and their physical port number. It is duplicated and stored in both memory domains. Therefore, when the system updates the contents of the switching database it has to write the entry to both domains at the same time.

1.2 GMII/PCS MAC Module (GMAC)

The GMII/PCS Media Access Control (MAC) module provides the necessary buffers and control interface between the Frame Engine (FE) and the external physical device (PHY).

The ZL50418 GMAC implements both GMII and MII interface, which offers a simple migration from 10/100 to 1 G. The GMAC of the ZL50418 meets the IEEE 802.3Z specification. It is able to operate in 10 M/100 M either Half or Full Duplex mode with a back pressure/flow control mechanism or in 1 G Full duplex mode with flow control mechanism. Furthermore, it will automatically retransmit upon collision for up to 16 total transmissions. PHY addresses for GMAC are 01h and 02h.

For fiber optics media, the ZL50418 implements the Physical Code Sublayer (PCS) interface. The PCS includes an 8B10B encoder and decoder, auto-negotiation, and Ten Bit Interface (TBI)

1.3 Physical Coding Sublayer (PCS) Interface

For the ZL50418, the 1000BASE-X PCS Interface is designed internally and may be utilized in the absence of a GMII. The PCS incorporates all the functions required by the GMII to include encoding (decoding) 8B GMII data to (from) 8B/10B TBI format for PHY communication and generating Collision Detect (COL) signals for half-duplex mode. It also manages the Auto negotiation process by informing the management entity that the PHY is ready for communications. The on-chip TBI may be disabled if TBI exists within the Gigabit PHY. The TBI interface provides a uniform interface for all 1000 Mbps PHY implementations.

The PCS comprises the PCS Transmit, Synchronization, PCS Receive and Auto negotiation processes for 1000BASE-X.

The PCS Transmit process sends the TBI signals TXD [9:0] to the physical medium and generates the GMII Collision Detect (COL) signal based on whether a reception is occurring simultaneously with transmission. Additionally, the Transmit process generates an internal “transmitting” flag and monitors Auto negotiation to determine whether to transmit data or to reconfigure the link.

The PCS Synchronization process determines whether or not the receive channel is operational.

The PCS Receive process generates RXD [7:0] on the GMII from the TBI data [9:0] and the internal “receiving” flag for use by the Transmit processes.

The PCS Auto negotiation process allows the ZL50418 to exchange configuration information between two devices that share a link segment and to automatically configure the link for the appropriate speed of operation for both devices.

1.4 10/100 MAC Module (RMAC)

The 10/100 Media Access Control module provides the necessary buffers and control interface between the Frame Engine (FE) and the external physical device (PHY). The ZL50418 has two interfaces, RMI or Serial (only for 10 M). The 10/100 MAC of the ZL50418 device meets the IEEE 802.3 specification. It is able to operate in either Half or Full Duplex mode with a back pressure/flow control mechanism. In addition, it will automatically retransmit upon collision for up to 16 total transmissions. The PHY addresses for 16 10/100 MAC are from 08h to 1Fh.

1.5 CPU Interface Module

One extra port is dedicated to the CPU via the CPU interface module. The CPU interface utilizes a 16/8-bit bus in managed mode (Bootstrap TSTOUT6 makes the selection). It also supports a serial and an I²C interface, which provides an easy way to configure the system if unmanaged.

1.6 Management Module

The CPU can send a control frame to access or configure the internal network management database. The Management Module decodes the control frame and executes the functions requested by the CPU.

1.7 Frame Engine

The main function of the frame engine is to forward a frame to its proper destination port or ports. When a frame arrives, the frame engine parses the frame header (64 bytes) and formulates a switching request which is sent to the search engine to resolve the destination port. The arriving frame is moved to the FDB. After receiving a switch response from the search engine, the frame engine performs transmission scheduling based on the frame's priority. The frame engine forwards the frame to the MAC module when the frame is ready to be sent.

1.8 Search Engine

The Search Engine resolves the frame's destination port or ports according to the destination MAC address (L2) or IP multicast address (IP multicast packet) by searching the database. It also performs MAC learning, priority assignment and trunking functions.

1.9 LED Interface

The LED interface provides a serial interface for carrying 16+2 port status signals. It can also provide direct status pins (6) for the two Gigabit ports.

1.10 Internal Memory

Several internal tables are required and are described as follows:

- Frame Control Block (FCB) - Each FCB entry contains the control information of the associated frame stored in the FDB, e.g., frame size, read/write pointer, transmission priority, etc.
- Network Management (NM) Database - The NM database contains the information in the statistics counters and MIB.
- MAC address Control Table (MCT) Link Table - The MCT Link Table stores the linked list of MCT entries that have collisions in the external MAC Table.

Note that the external MAC table is located in the external SSRAM Memory.

2.0 System Configuration

2.1 Management and Configuration

Two modes are supported in the ZL50418: managed and unmanaged. In managed mode, the ZL50418 uses an 8 or 16 bit CPU interface very similar to the Industry Standard Architecture (ISA) specification. In unmanaged mode, the ZL50418 has no CPU but can be configured by EEPROM using an I²C interface at bootup or via a synchronous serial interface otherwise.

2.2 Managed Mode

In managed mode, the ZL50418 uses an 8 or 16 bit CPU interface very similar to the ISA bus. The ZL50418 CPU interface provides for easy and effective management of the switching system. Figure 1 provides an overview of the CPU interface.

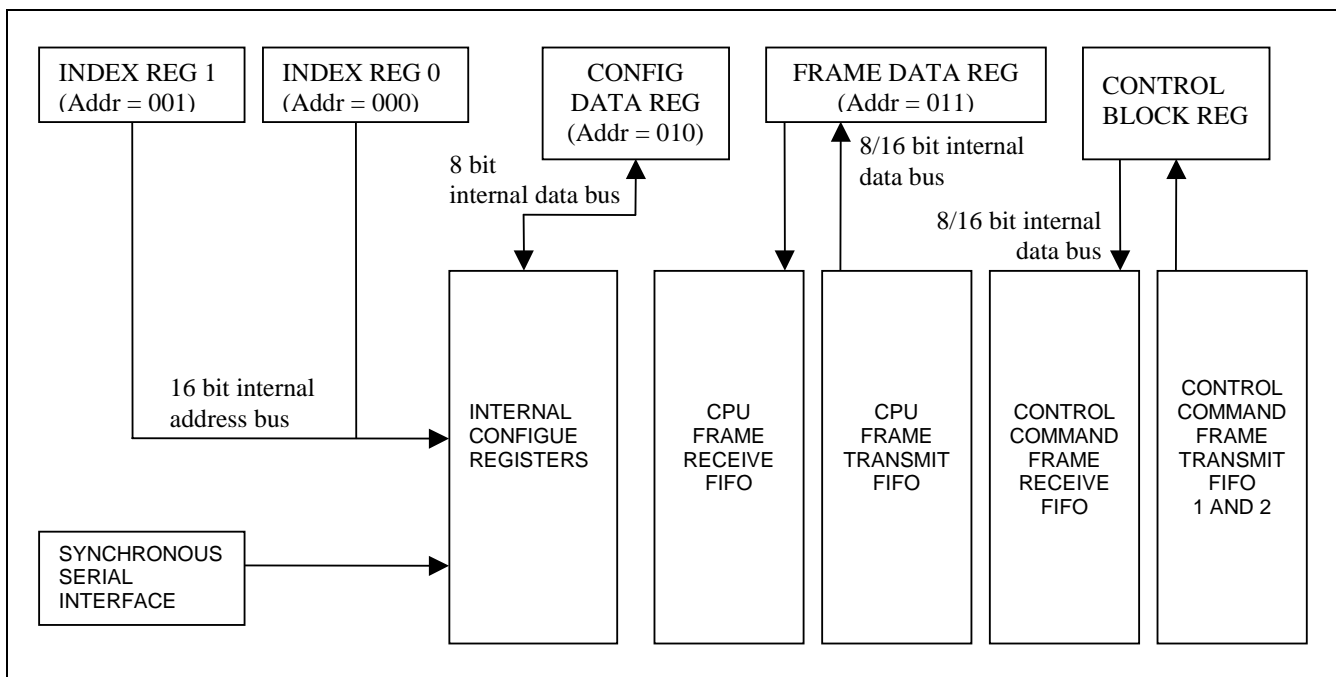


Figure 2 - Overview of the CPU Interface

2.3 Register Configuration, Frame Transmission, and Frame Reception

2.3.1 Register Configuration

The ZL50418 has many programmable parameters covering such functions as QoS weights, VLAN control and port mirroring setup. In managed mode, the CPU interface provides an easy way of configuring these parameters. The parameters are contained in 8-bit configuration registers. The ZL50418 allows indirect access to these registers, as follows:

- If operating in 8 bits-interface mode, two “index” registers (addresses 000 and 001) need to be written, to indicate the desired 8-bit register address. In 16-bit mode, only one register (address 000) needs to be written for the desired 16-bit register address.
- To indirectly configure the register addressed by the two index registers, a “configure data” register (address 010) must be written with the desired 8-bit data.

- Similarly, to read the value in the register addressed by the two index registers, the “configure data” register can now simply be read.

In summary, access to the many internal registers is carried out simply by directly accessing only three registers – two registers to indicate the address of the desired parameter and one register to read or write a value. Of course, because there is only one bus master, there can never be any conflict between reading and writing the configuration registers.

2.3.2 Rx/Tx of Standard Ethernet Frames

The CPU interface is also responsible for receiving and transmitting standard Ethernet frames to and from the CPU.

To transmit a frame from the CPU

- The CPU writes a “data frame” register (address 011) with the data it wants to transmit (minimum 64 bytes). After writing all the data, it then writes the frame size, destination port number, and frame status.
- The ZL50418 forwards the Ethernet frame to the desired destination port, no longer distinguishing the fact that the frame originated from the CPU.

To receive a frame into the CPU

- The CPU receives an interrupt when an Ethernet frame is available to be received.
- Frame information arrives first in the data frame register. This includes source port number, frame size and VLAN tag.
- The actual data follows the frame information. The CPU uses the frame size information to read the frame out.

In summary, receiving and transmitting frames to and from the CPU is a simple process that uses one direct access register only.

2.3.3 Control Frames

In addition to standard Ethernet frames described in the preceding section, the CPU is also called upon to handle special “Control frames,” generated by the ZL50418 and sent to the CPU. These proprietary frames are related to such tasks as statistics collection, MAC address learning, aging, etc. All Control frames are up to 40 bytes long. Transmitting and receiving these frames is similar to transmitting and receiving Ethernet frames, except that the register accessed is the “Control frame data” register (address 111).

Specifically, there are eight types of control frames generated by the CPU and sent to the ZL50418:

- Memory read request
- Memory write request
- Learn MAC address
- Delete MAC address
- Search MAC address
- Learn IP Multicast address
- Delete IP Multicast address
- Search IP Multicast address

Note: Memory read and write requests by the CPU may include VLAN table, spanning tree, statistic counters and similar updates.

In addition, there are nine types of Control frames generated by the ZL50418 and sent to the CPU:

- Interrupt CPU when statistics counter rolls over
- Response to memory read request from CPU

- Learn MAC address
- Delete MAC address
- Delete IP Multicast address
- New VLAN port
- Age out VLAN port
- Response to search MAC address request from CPU
- Response to search IP Multicast address request from CPU

The format of the Control Frame is described in the processor interface application note.

2.3.4 Unmanaged Mode

In unmanaged mode, the ZL50418 can be configured by EEPROM (24C02 or compatible) via an I²C interface at boot time or via a synchronous serial interface during operation.

2.4 I²C Interface

The I²C interface uses two bus lines, a serial data line (SDA) and a serial clock line (SCL). The SCL line carries the control signals that facilitate the transfer of information from EEPROM to the switch. Data transfer is 8-bit serial and bidirectional, at 50 Kbps. Data transfer is performed between master and slave IC using a request / acknowledgment style of protocol. The master IC generates the timing signals and terminates data transfer. Figure 3 depicts the data transfer format.

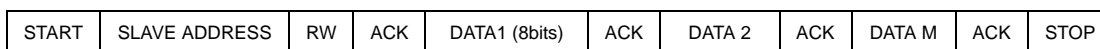


Figure 3 - Data Transfer Format for I²C Interface

2.4.1 Start Condition

Generated by the master (in our case, the ZL50418). The bus is considered to be busy after the Start condition is generated. The Start condition occurs if while the SCL line is High, there is a High-to-Low transition of the SDA line.

Other than in the Start condition (and Stop condition), the data on the SDA line must be stable during the High period of SCL. The High or Low state of SDA can only change when SCL is Low. In addition, when the I²C bus is free both lines are High.

2.4.2 Address

The first byte after the Start condition determines which slave the master will select. The slave in our case is the EEPROM. The first seven bits of the first data byte make up the slave address.

2.4.3 Data Direction

The eighth bit in the first byte after the Start condition determines the direction (R/W) of the message. A master transmitter sets this bit to W; a master receiver sets this bit to R.

2.4.4 Acknowledgment

Like all clock pulses, the acknowledgment-related clock pulse is generated by the master. However, the transmitter releases the SDA line (High) during the acknowledgment clock pulse. Furthermore, the receiver must pull down the SDA line during the acknowledge pulse so that it remains stable Low during the High period of this clock pulse. An acknowledgment pulse follows every byte transfer.

If a slave receiver does not acknowledge after any byte, then the master generates a Stop condition and aborts the transfer.

If a master receiver does not acknowledge after any byte, then the slave transmitter must release the SDA line to let the master generate the Stop condition.

2.4.5 Data

After the first byte containing the address, all bytes that follow are data bytes. Each byte must be followed by an acknowledge bit. Data is transferred MSB first.

2.4.6 Stop Condition

Generated by the master. The bus is considered to be free after the Stop condition is generated. The Stop condition occurs if while the SCL line is High, there is a Low-to-High transition of the SDA line.

The I²C interface serves the function of configuring the ZL50418 at boot time. The master is the ZL50418, and the slave is the EEPROM memory.

2.5 Synchronous Serial Interface

The synchronous serial interface serves the function of configuring the ZL50418 not at boot time but via a PC. The PC serves as master and the ZL50418 serves as slave. The protocol for the synchronous serial interface is nearly identical to the I²C protocol. The main difference is that there is no acknowledgment bit after each byte of data transferred.

The unmanaged ZL50418 uses a synchronous serial interface to program the internal registers. To reduce the number of signals required the register address, command and data are shifted in serially through the D0 pin. STROBE- pin is used as the shift clock. AUTOFD- pin is used as data return path.

Each command consists of four parts.

- START pulse
- Register Address
- Read or Write command
- Data to be written or read back

Any command can be aborted in the middle by sending an ABORT pulse to the ZL50418.

A START command is detected when D0 is sampled high when STROBE- rise and D0 is sampled low when STROBE- fall.

An ABORT command is detected when D0 is sampled low when STROBE- rise and D0 is sampled high when STROBE- fall.

2.5.1 Write Command

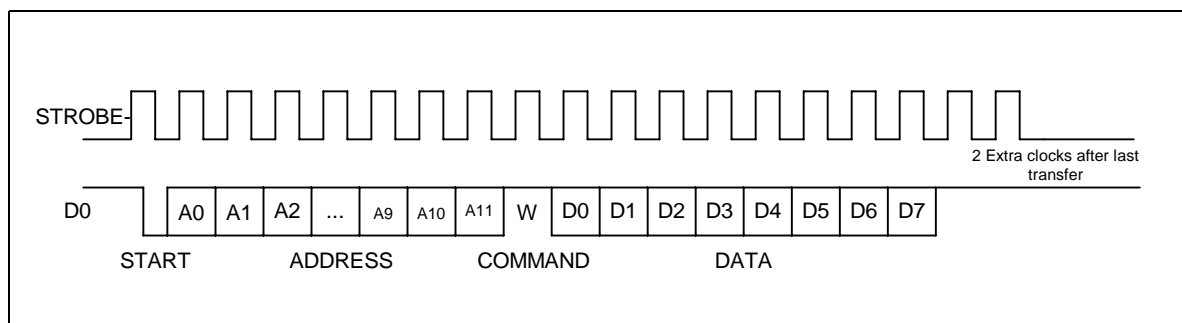


Figure 4 - Write Command

2.5.2 Read Command

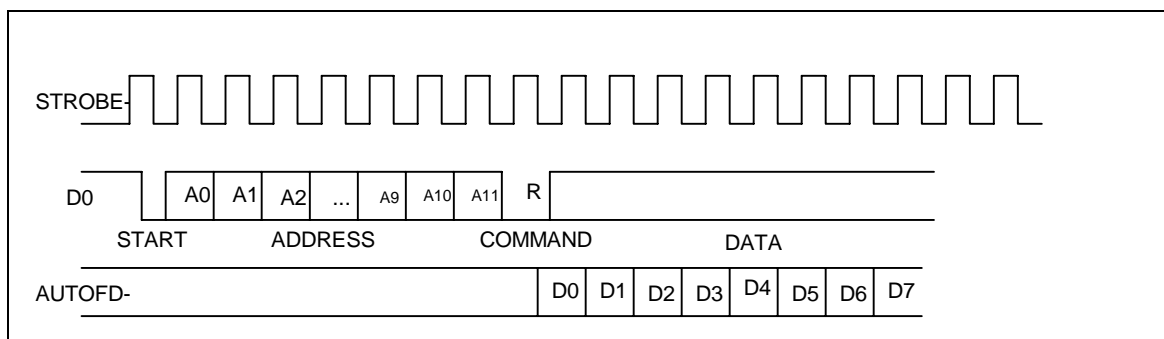


Figure 5 - Read Command

All registers in ZL50418 can be modified through this synchronous serial interface.

3.0 ZL50418 Data Forwarding Protocol

3.1 Unicast Data Frame Forwarding

When a frame arrives, it is assigned a handle in memory by the Frame Control Buffer Manager (FCB Manager). An FCB handle will always be available because of advance buffer reservations.

The memory (SRAM) interface is two 64-bit buses, connected to two SRAM banks, A and B. The Receive DMA (RxDMA) is responsible for multiplexing the data and the address. On a port's "turn," the RxDMA will move 8 bytes (or up to the end-of-frame) from the port's associated Rx FIFO into memory (Frame Data Buffer, or FDB).

Once an entire frame has been moved to the FDB and a good end-of-frame (EOF) has been received, the Rx interface makes a switch request. The RxDMA arbitrates among multiple switch requests.

The switch request consists of the first 64 bytes of a frame, containing among other things, the source and destination MAC addresses of the frame. The search engine places a switch response in the switch response queue of the frame engine when done. Among other information the search engine will have resolved the destination port of the frame and will have determined that the frame is unicast.

After processing the switch response, the Transmission Queue Manager (TxQ manager) of the frame engine is responsible for notifying the destination port that it has a frame to forward to it. But first, the TxQ manager has to decide whether or not to drop the frame, based on global FDB reservations and usage, as well as TxQ occupancy

at the destination. If the frame is not dropped then the TxQ manager links the frame's FCB to the correct per-port-per-class TxQ. Unicast TxQ's are linked lists of transmission jobs, represented by their associated frames' FCB's. There is one linked list for each transmission class for each port. There are 4 transmission classes for each of the 16 10/ 100 ports, and 8 classes for each of the two Gigabit ports – a total of 112 unicast queues.

The TxQ manager is responsible for scheduling transmission among the queues representing different classes for a port. When the port control module determines that there is room in the MAC Transmission FIFO (TxFIFO) for another frame, it requests the handle of a new frame from the TxQ manager. The TxQ manager chooses among the head-of-line (HOL) frames from the per-class queues for that port, using a Zarlink Semiconductor scheduling algorithm.

The Transmission DMA (TxDMA) is responsible for multiplexing the data and the address. On a port's turn, the TxDMA will move 8 bytes (or up to the EOF) from memory into the port's associated TxFIFO. After reading the EOF, the port control requests a FCB release for that frame. The TxDMA arbitrates among multiple buffer release requests.

The frame is transmitted from the TxFIFO to the line.

3.2 Multicast Data Frame Forwarding

After receiving the switch response, the TxQ manager has to make the dropping decision. A global decision to drop can be made, based on global FDB utilization and reservations. If so, then the FCB is released and the frame is dropped. In addition, a selective decision to drop can be made, based on the TxQ occupancy at some subset of the multicast packet's destinations. If so, then the frame is dropped at some destinations but not others, and the FCB is not released.

If the frame is not dropped at a particular destination port, then the TxQ manager formats an entry in the multicast queue for that port and class. Multicast queues are physical queues (unlike the linked lists for unicast frames). There are 2 multicast queues for each of the 16 10/100 ports. The queue with higher priority has room for 32 entries and the queue with lower priority has room for 64 entries. There are 4 multicast queues for each of the two Gigabit ports. The size of the queues are: 32 entries (higher priority queue), 32 entries, 32 entries and 64 entries (lower priority queue). There is one multicast queue for every two priority classes. For the 10/100 ports to map the 8 transmit priorities into 2 multicast queues, the 2 LSB are discarded. For the gigabit ports to map the 8 transmit priorities into 4 multicast queues, the LSB are discarded.

During scheduling, the TxQ manager treats the unicast queue and the multicast queue of the same class as one logical queue. The older head of line of the two queues is forwarded first.

The port control requests a FCB release only after the EOF for the multicast frame has been read by all ports to which the frame is destined.

3.3 Frame Forwarding To and From CPU

Frame forwarding from the CPU port to a regular transmission port is nearly the same as forwarding between transmission ports. The only difference is that the physical destination port must be indicated in addition to the destination MAC address.

Frame forwarding to the CPU port is nearly the same as forwarding to a regular transmission port. The only difference is in frame scheduling. Instead of using the patent-pending Zarlink Semiconductor scheduling algorithms, scheduling for the CPU port is simply based on strict priority. That is, a frame in a high priority queue will always be transmitted before a frame in a lower priority queue. There are four output queues to the CPU and one receive queue.

4.0 Memory Interface

4.1 Overview

The ZL50418 provides two 64-bit-wide SRAM banks, SRAM Bank A and SRAM Bank B with a 64-bit bus connected to each. Each DMA can read and write from both bank A and bank B. The following figure provides an overview of the ZL50418 SRAM banks.

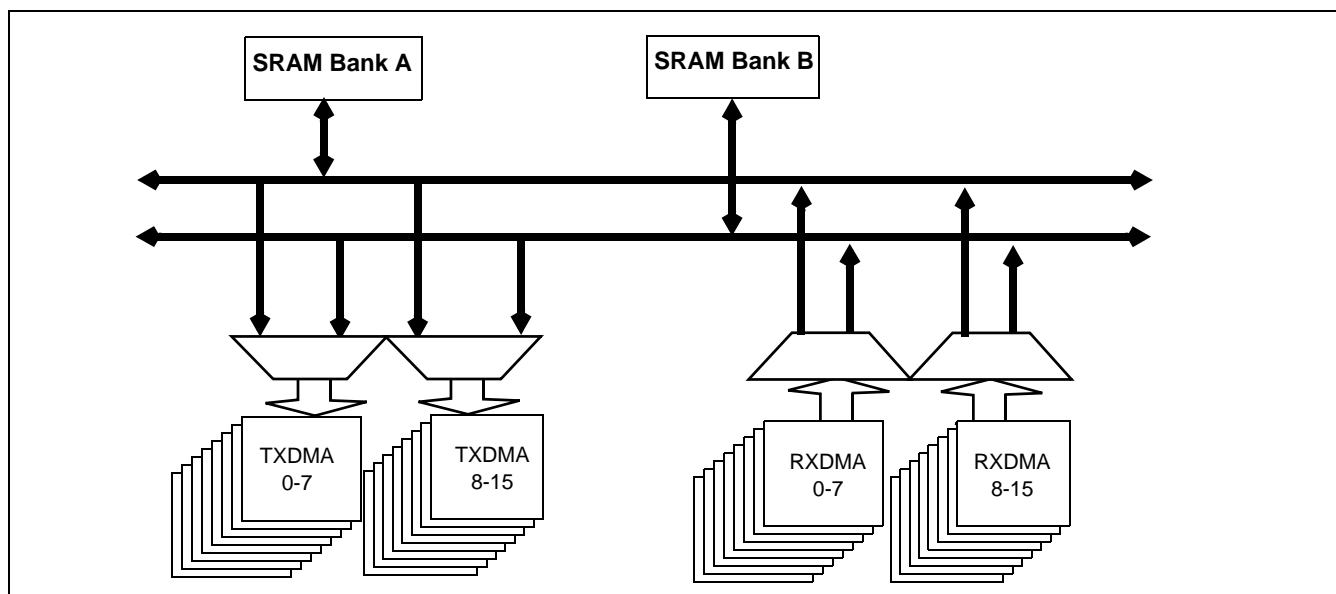


Figure 6 - ZL50418 SRAM Interface Block Diagram (DMAs for 10/1000 Ports Only)

4.2 Detailed Memory Information

Because the bus for each bank is 64 bits wide, frames are broken into 8-byte granules, written to and read from memory. The first 8-byte granule gets written to Bank A, the second 8-byte granule gets written to Bank B, and so on in alternating fashion. When reading frames from memory, the same procedure is followed, first from A, then from B, and so on.

The reading and writing from alternating memory banks can be performed with minimal waste of memory bandwidth. What's the worst case? For any speed port, in the worst case, a 1-byte-long EOF granule gets written to Bank A. This means that a 7-byte segment of Bank A bandwidth is idle, and furthermore, the next 8-byte segment of Bank B bandwidth is idle, because the first 8 bytes of the next frame will be written to Bank A, not B. This scenario results in a maximum 15 bytes of waste per frame, which is always acceptable because the interframe gap is 20 bytes.

The CPU management port gets treated like any other port, reading and writing to alternating memory banks starting with Bank A. The VLAN Index Mapping Table and Mac Address Table are duplicated in Bank A and B. When the CPU writes an entry to the VLAN Index Mapping Table it has to write the same data in bank A and bank B. Search engine data is written to both banks in parallel. In this way, a search engine read operation can be performed by either bank at any time without a problem.

4.3 Memory Requirements

To speed up searching and decrease memory latency, the external MAC address database is duplicated in both memory banks. To support 64 K MAC address, 4 MB memory is required. When VLAN support is enabled, 512 entries of the MAC address table are used for storing the VLAN ID at VLAN Index Mapping Table.

Up to 2 K Ethernet frame buffers are supported and they will use 3 MB of memory. Each frame uses 1536 bytes. The maximum system memory requirement is 4 MB. If less memory is desired, the configuration can scale down.

Memory Configuration

Bank A	Bank B	Tag based VLAN	Frame Buffer	Max MAC Address
1 M	1 M	Disable	1 K	32 K
1 M	1 M	Enable	1 K	31.5 K
2 M	2 M	Disable	2 K	64 K
2 M	2 M	Enable	2 K	63.5 K

Table 1 - Memory Configuration

Memory Map

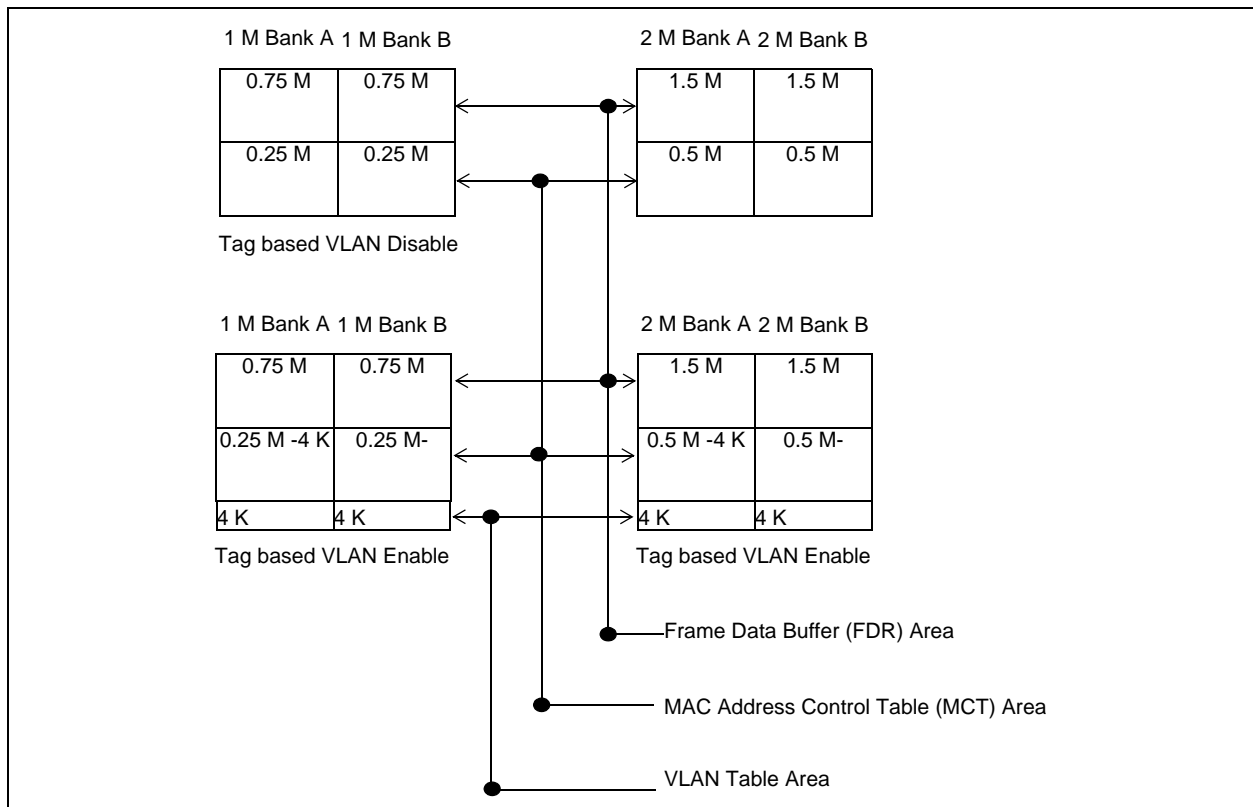


Figure 7 - Memory Map

5.0 Search Engine

5.1 Search Engine Overview

The ZL50418 search engine is optimized for high throughput searching, with enhanced features to support

- Up to 64 K MAC addresses
- Up to 255 VLAN and IP Multicast groups
- 3 groups of port trunking (1 for the two Gigabit ports, and 2 others)
- Traffic classification into 4 (or 8 for Gigabit) transmission priorities, and 2 drop precedence levels
- Packet filtering
- Security
- IP Multicast
- Flooding, Broadcast, Multicast Storm Control
- MAC address learning and aging

5.2 Basic Flow

Shortly after a frame enters the ZL50418 and is written to the Frame Data Buffer (FDB), the frame engine generates a Switch Request, which is sent to the search engine. The switch request consists of the first 64 bytes of the frame, which contain all the necessary information for the search engine to perform its task. When the search engine is done, it writes to the Switch Response Queue and the frame engine uses the information provided in that queue for scheduling and forwarding.

In performing its task, the search engine extracts and compresses the useful information from the 64-byte switch request. Among the information extracted are the source and destination MAC addresses, the transmission and discard priorities, whether the frame is unicast or multicast and VLAN ID. Requests are sent to the external SRAM to locate the associated entries in the external hash table.

When all the information has been collected from external SRAM, the search engine has to compare the MAC address on the current entry with the MAC address for which it is searching. If it is not a match, the process is repeated on the internal MCT Table. All MCT entries other than the first of each linked list are maintained internal to the chip. If the desired MAC address is still not found, then the result is either learning (source MAC address unknown) or flooding (destination MAC address unknown).

In addition, VLAN information is used to select the correct set of destination ports for the frame (for multicast) or to verify that the frame's destination port is associated with the VLAN (for unicast).

If the destination MAC address belongs to a port trunk, then the trunk number is retrieved instead of the port number. But on which port of the trunk will the frame be transmitted? This is easily computed using a hash of the source and destination MAC addresses.

As stated earlier, when all the information is compiled, the switch response is generated. The search engine also interacts with the CPU with regard to learning and aging.

5.3 Search, Learning, and Aging

5.3.1 MAC Search

The search block performs source MAC address and destination MAC address (or destination IP address for IP multicast) searching. As we indicated earlier, if a match is not found, then the next entry in the linked list must be examined and so on until a match is found or the end of the list is reached.

In tag based VLAN mode, if the frame is unicast and the destination port is not a member of the correct VLAN, then the frame is dropped; otherwise the frame is forwarded. If the frame is multicast, this same table is used to indicate all the ports to which the frame will be forwarded. Moreover, if port trunking is enabled, this block selects the destination port (among those in the trunk group).

In port based VLAN mode, a bitmap is used to determine whether the frame should be forwarded to the outgoing port. The main difference in this mode is that the bitmap is not dynamic. Ports cannot enter and exit groups because of real-time learning made by a CPU.

The MAC search block is also responsible for updating the source MAC address timestamp and the VLAN port association timestamp, used for aging.

5.3.2 Learning

The learning module learns new MAC addresses and performs port change operations on the MCT database. The goal of learning is to update this database as the networking environment changes over time.

When CPU reporting is enabled, learning and port change will be performed when the CPU request queue has room, and a memory slot is available, and a “Learn MAC Address” message is sent to the CPU. When fast learning mode is enabled, learning and port change will be performed when memory slot is available and a latter “Learn MAC Address” message is sent to the CPU when CPU queue has room.

When CPU reporting is disabled, learning and port change will be performed based on memory slot availability only.

In tag based VLAN mode, if the source port is not a member of a classified VLAN, a “New VLAN Port” message is sent to the CPU. The CPU can decide whether or not the source port can be added to the VLAN.

5.3.3 Aging

Aging time is controlled by register 400h and 401h.

The aging module scans and ages MCT entries based on a programmable “age out” time interval. As we indicated earlier, the search module updates the source MAC address and VLAN port association timestamps for each frame it processes. When an entry is ready to be aged, the entry is removed from the table, and a “Delete MAC Address” message is sent to inform the CPU.

Supported MAC entry types are: dynamic, static, source filter, destination filter, IP multicast, source and destination filter, and secure MAC address. Only dynamic entries can be aged; all others are static. The MAC entry type is stored in the “status” field of the MCT data structure.

5.3.4 VLAN Table

The table below provides a mapping from VLAN ID to VLAN index. It is maintained by system software and is checked by the hardware search engine for every incoming frame. This table has 4 K entries and is stored in external SRAM. It is organized as 512×8 entries (total of 4 K VLAN indexes) as shown. Each VLAN index is 8 bits.

VIX7	VIX6	VIX5	VIX4	VIX3	VIX2	VIX1	VIX0
...
...
VIX4095	VIX4094	VIX4093	VIX4092	VIX4091	VIX4090	VIX4089	VIX4088

Table 2 - VLAN Index Mapping Table

Each VIX represents the mapping result from the associated VLAN ID (VLANID = 0x004 is mapped to VIX4). Unused VLAN ID's have their corresponding VIX programmed to hexadecimal 00. Used VLAN ID's have their corresponding VIX programmed to hexadecimal 01 through FF. In other words, 255 VLAN's are supported. The VIX value is a pointer to the entries in the VLAN Index port association table (internal memory).

The VLAN Index port association table is used by both software and hardware. It contains 256 entries. Each entry has 19 fields, such that each field represents the port status of that particular VLAN.

	Port	Not Used	G1	G0	CPU	P15	P14	P3	P2	P1	P0
	Bit	63 to 54	53 52	51 50	49 48	31 30	29 28		7 6	5 4	3 2	1 0
E N T R I E S	0											
	1											
	:											
	:											
	255											

Table 3 - VLAN Index Port Association Table

Each entry has 64 bits. Each port has a VLAN status field with the following two bits values:

- 00: Port not a member of VLAN
- 01: Port is a member of VLAN, and is subject to aging (Do not use. Used by the aging module)
- 10: Port is a member of VLAN, and is subject to aging
- 11: Port is a member of VLAN, and is not subject to aging

Note: The VLAN aging time is controlled by register 402h.

5.4 MAC Address Filtering

The ZL50418's implementation of intelligent traffic switching provides filters for source and destination MAC addresses. This feature filters unnecessary traffic, thereby providing intelligent control over traffic flows and broadcast traffic.

MAC address filtering allows the ZL50418 to block an incoming packet to an interface when it sees a specified MAC address in either the source address or destination address of the incoming packet. For example, if your network is congested because of high utilization from a MAC address, you can filter all traffic transmitted from that address and restore network flow, while you troubleshoot the problem.

5.5 Quality of Service

Quality of Service (QoS) refers to the ability of a network to provide better service to selected network traffic over various technologies. Primary goals of QoS include dedicated bandwidth, controlled jitter and latency (required by some real-time and interactive traffic), and improved loss characteristics.

Traditional Ethernet networks have had no prioritization of traffic. Without a protocol to prioritize or differentiate traffic, a service level known as “best effort” attempts to get all the packets to their intended destinations with minimum delay; however, there are no guarantees. In a congested network or when a low-performance switch/router is overloaded, “best effort” becomes unsuitable for delay-sensitive traffic and mission-critical data transmission.

The advent of QoS for packet-based systems accommodates the integration of delay-sensitive video and multimedia traffic onto any existing Ethernet network. It also alleviates the congestion issues that have previously plagued such “best effort” networking systems. QoS provides Ethernet networks with the breakthrough technology to prioritize traffic and ensure that a certain transmission will have a guaranteed minimum amount of bandwidth.

Extensive core QoS mechanisms are built into the ZL50418 architecture to ensure policy enforcement and buffering of the ingress port, as well as weighted fair-queue(WFQ) scheduling at the egress port.

In the ZL50418, QoS-based policies sort traffic into a small number of classes and mark the packets accordingly. The QoS identifier provides specific treatment to traffic in different classes, so that different quality of service is provided to each class. Frame and packet scheduling and discarding policies are determined by the class to which the frames and packets belong. For example, the overall service given to frames and packets in the premium class will be better than that given to the standard class; the premium class is expected to experience lower loss rate or delay.

The ZL50418 supports the following QoS techniques:

- In a port-based setup, any station connected to the same physical port of the switch will have the same transmit priority.
- In a tag-based setup, a 3-bit field in the VLAN tag provides the priority of the packet. This priority can be mapped to different queues in the switch to provide QoS.
- In a TOS/DS-based set up, TOS stands for “Type of Service” that may include “minimize delay,” “maximize throughput” or “maximize reliability.” Network nodes may select routing paths or forwarding behaviours that are suitably engineered to satisfy the service request.
- In a logical port-based set up, a logical port provides the application information of the packet. Certain applications are more sensitive to delays than others; using logical ports to classify packets can help speed up delay sensitive applications such as VoIP.

5.6 Priority Classification Rule

Figure 8 on page 27 shows the ZL50418 priority classification rule.

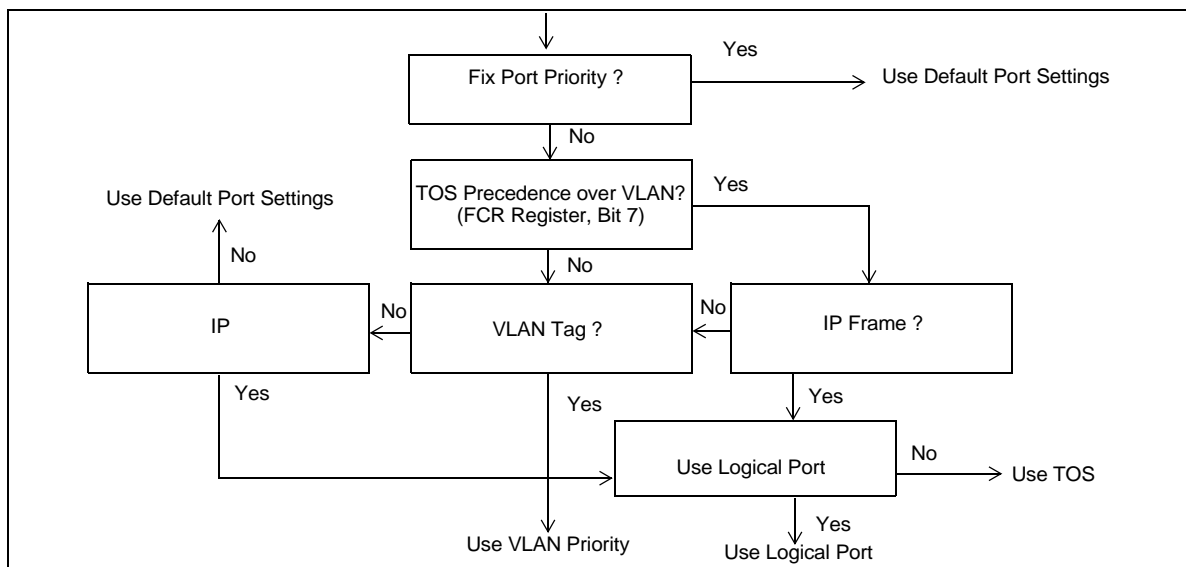


Figure 8 - Priority Classification Rule

5.7 Port and Tag Based VLAN

The ZL50418 supports two models for determining and controlling how a packet gets assigned to a VLAN: port priority and tag -based VLAN.

5.8 Port-Based VLAN

An administrator can use the PVMAP Registers to configure the ZL50418 for port-based VLAN (see “Registration Definition” on page 42). For example, ports 1-3 might be assigned to the Marketing VLAN, ports 4-6 to the Engineering VLAN, and ports 7-9 to the Administrative VLAN. The ZL50418 determines the VLAN membership of each packet by noting the port on which it arrives. From there, the ZL50418 determines which outgoing port(s) is/are eligible to transmit each packet, or whether the packet should be discarded. Gigabit port 0 and 1 are denoted as Port 25 and 26 respectively.

	Destination Port Numbers Bit Map				
Port Registers	26	...	2	1	0
Register for Port #0 PVMAP00_0[7:0] to PVMAP00_3[2:0]	0		1	1	0
Register for Port #1 PVMAP01_0[7:0] to PVMAP01_3[2:0]	0		1	0	1
Register for Port #2 PVMAP02_0[7:0] to PVMAP02_3[2:0]	0		0	0	0
...					
Register for Port #26 PVMAP26_0[7:0] to PVMAP26_3[2:0]	0		0	0	0

Table 4 - Port-Based VLAN

For example, in the above table a 1 denotes that an outgoing port is eligible to receive a packet from an incoming port. A 0 (zero) denotes that an outgoing port is not eligible to receive a packet from an incoming port.

In this example:

- Data packets received at port #0 are eligible to be sent to outgoing ports 1 and 2.
- Data packets received at port #1 are eligible to be sent to outgoing ports 0 and 2.
- Data packets received at port #2 are **NOT** eligible to be sent to ports 0 and 1.

5.8.1 Tag-Based VLAN

The ZL50418 supports the IEEE 802.1q specification for “tagging” frames. The specification defines a way to coordinate VLANs across multiple switches. In the specification, an additional 4-octet header (or “tag”) is inserted in a frame after the source MAC address and before the frame type. 12 bits of the tag are used to define the VLAN ID. Packets are then switched through the network with each ZL50418 simply swapping the incoming tag for an appropriate forwarding tag rather than processing each packet's contents to determine the path. This approach minimizes the processing needed once the packet enters the tag-switched network. In addition, coordinating VLAN IDs across multiple switches enables VLANs to extend to multiple switches.

Up to 255 VLANs are supported in the ZL50418. The 4 K VLANs specified in the IEEE 802.1q are mapped to 255 VLAN indexes. The mapping is made by the VLAN index mapping table. Based on the VLAN index (VIXn), the source and destination port membership is checked against the content in the VLAN Index Port association table. If the destination port is a member of the VLAN, the packet is forwarded; otherwise it is discarded. If the source port is not a member, a “New VLAN Port” message is sent to the CPU. A filter can be applied to discard the packet if the source port is not a member of the VLAN.

5.9 Memory Configurations

The ZL50418 supports the following memory configurations. Pipeline SBRAM modes support 1 M and 2 M per bank configurations. For detail connection information, please reference the memory application note.

Configuration	1 M per bank (Bootstrap pin TSTOUT7 = open)	2 M per bank (Bootstrap pin TSTOUT7 = pull down)	Connections
Single Layer (Bootstrap pin TSTOUT13 = open)	Two 128 K x 32 SRAM/bank or One 128 K x 64 SRAM/bank	Two 256 K x 32 SRAM/bank	Connect 0E# and WE#
Double Layer (Bootstrap pin TSTOUT13 = pull down)	NA	Four 128 K x 32 SRAM/bank or Two 128 K x 64 SRAM/bank	Connect 0E0# and WE0# Connect 0E1# and WE1#

Table 5 - Supported Memory Configurations (Pipeline SBRAM Mode)

	Only Bank A		Bank A and Bank B	
	1 M (SRAM)	2 M (SRAM)	1 M/bank (SRAM)	2 M/bank (SRAM)
ZL50415	X	X		
ZL50416	X	X		
ZL50417			X	X
ZL50418			X	X

Table 6 - Options for Memory Configuration

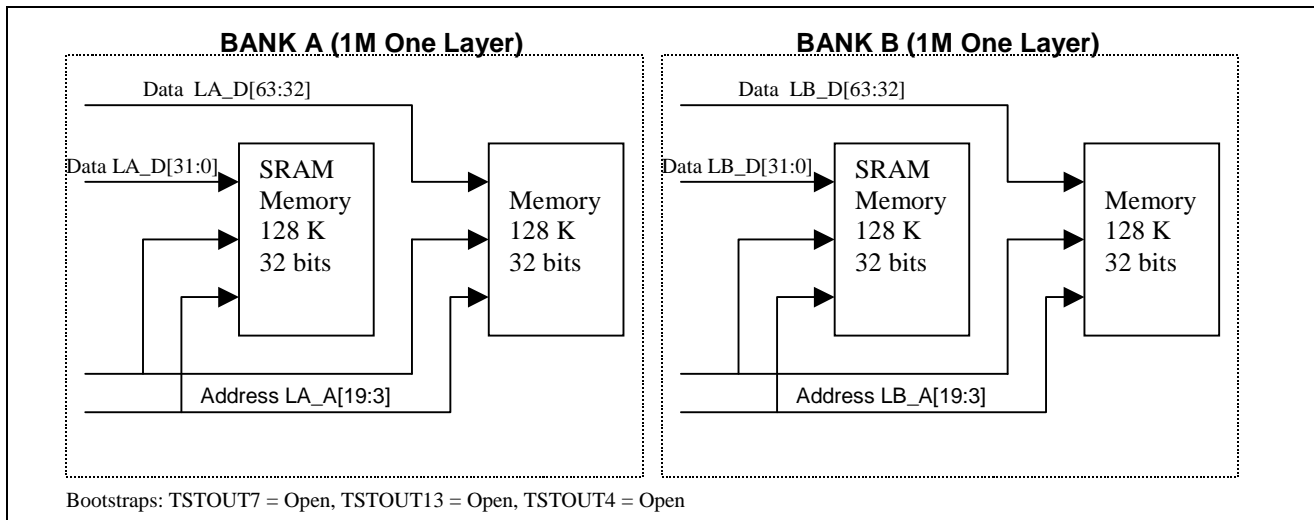


Figure 9 - Memory Configuration For: 2 Banks, 1 Layer, 2 MB Total

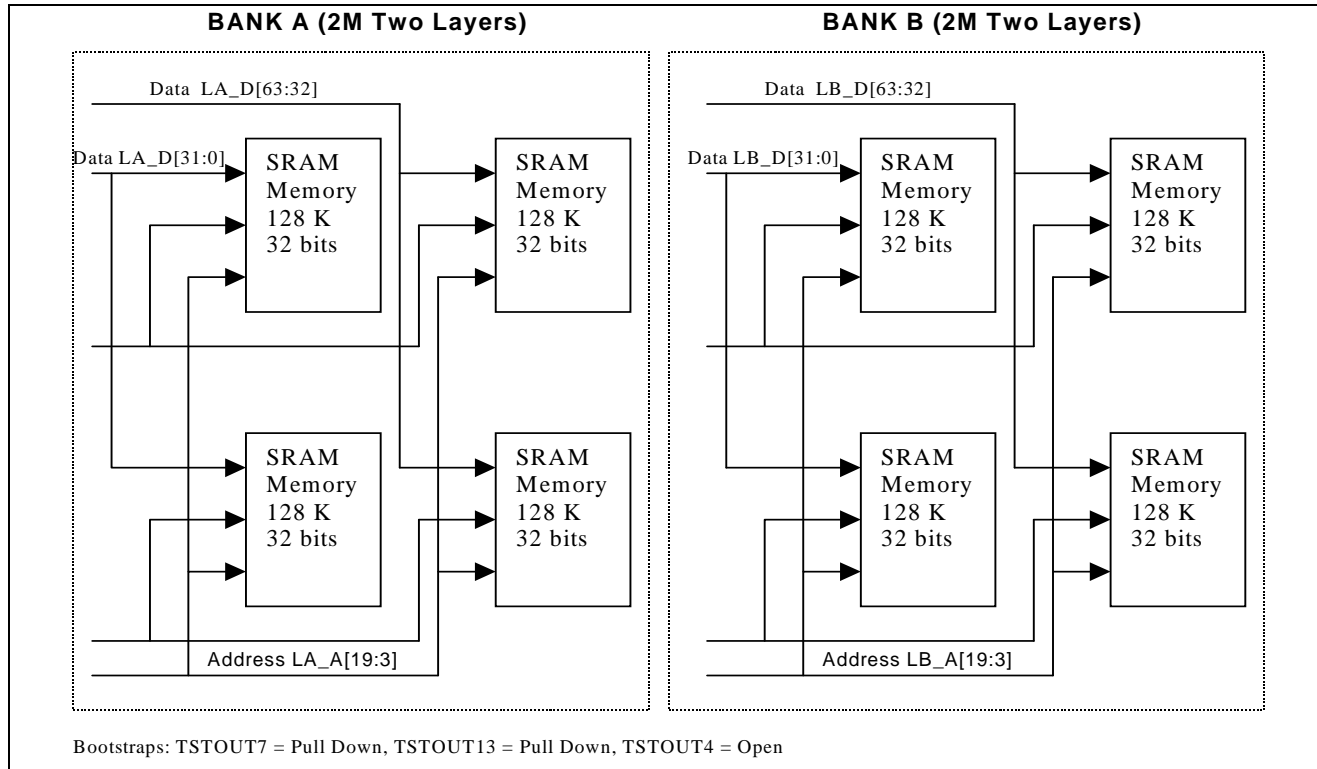


Figure 10 - Memory Configuration For: 2 Banks, 2 Layer, 4 MB Total

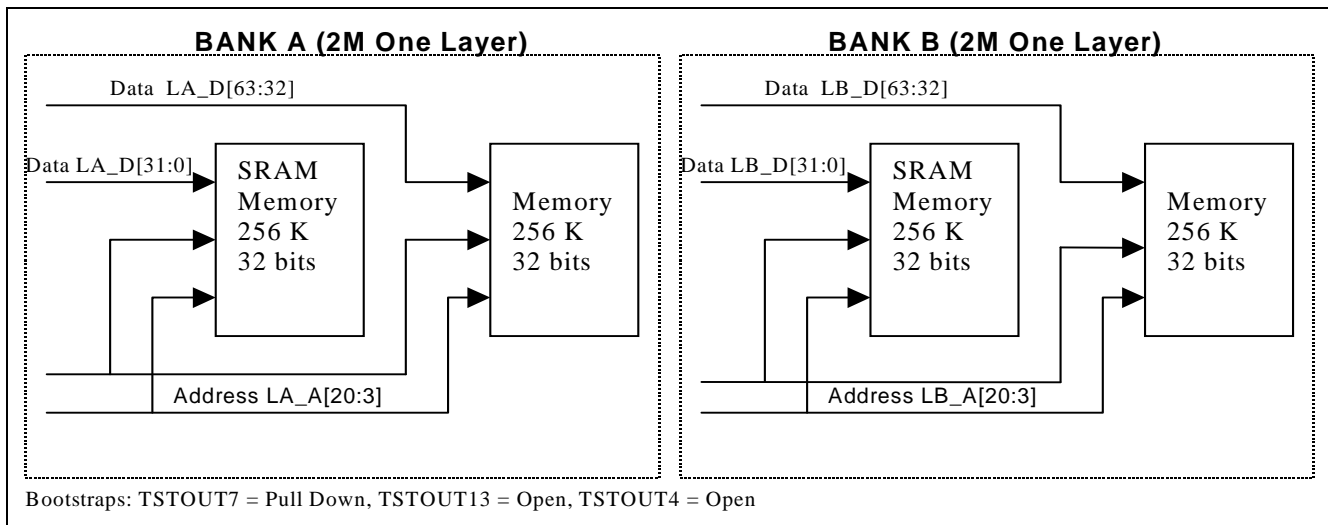


Figure 11 - Memory Configuration For: 2 Banks, 1 Layer, 4 MB

6.0 Frame Engine

6.1 Data Forwarding Summary

When a frame enters the device at the RxMAC, the RxDMA will move the data from the MAC RxFIFO to the FDB. Data is moved in 8-byte granules in conjunction with the scheme for the SRAM interface.

A switch request is sent to the Search Engine. The Search Engine processes the switch request.

A switch response is sent back to the Frame Engine and indicates whether the frame is unicast or multicast and its destination port or ports. A VLAN table lookup is performed as well.

A Transmission Scheduling Request is sent in the form of a signal notifying the TxQ manager. Upon receiving a Transmission Scheduling Request, the device will format an entry in the appropriate Transmission Scheduling Queue (TxSch Q) or Queues. There are 4 TxSch Q for each 10/100 port (and 8 per Gigabit port), one for each priority. Creation of a queue entry either involves linking a new job to the appropriate linked list if unicast or adding an entry to a physical queue if multicast.

When the port is ready to accept the next frame, the TxQ manager will get the head-of-line (HOL) entry of one of the TxSch Qs, according to the transmission scheduling algorithm (so as to ensure per-class quality of service). The unicast linked list and the multicast queue for the same port-class pair are treated as one logical queue. The older HOL between the two queues goes first. For 10/100 ports multicast queue 0 is associated with unicast queue 0 and multicast queue 1 is associated with unicast queue 2. For Gigabit ports multicast queue 0 is associated with unicast queue 0, multicast queue 1 with unicast queue 2, multicast queue 2 with unicast queue 4 and multicast queue 3 with unicast queue 6.

The TxDMA will pull frame data from the memory and forward it granule-by-granule to the MAC TxFIFO of the destination port.

6.2 Frame Engine Details

This section briefly describes the functions of each of the modules of the ZL50418 frame engine.

6.2.1 FCB Manager

The FCB manager allocates FCB handles to incoming frames, and releases FCB handles upon frame departure. The FCB manager is also responsible for enforcing buffer reservations and limits. The default values can be determined by referring to Chapter 7. In addition, the FCB manager is responsible for buffer aging, and for linking unicast forwarding jobs to their correct TxSch Q. The buffer aging can be enabled or disabled by the bootstrap pin and the aging time is defined in register FCBAT.

6.2.2 Rx Interface

The Rx interface is mainly responsible for communicating with the RxMAC. It keeps track of the start and end of frame and frame status (good or bad). Upon receiving an end of frame that is good, the Rx interface makes a switch request.

6.2.3 RxDMA

The RxDMA arbitrates among switch requests from each Rx interface. It also buffers the first 64 bytes of each frame for use by the search engine when the switch request has been made.

6.2.4 TxQ Manager

First, the TxQ manager checks the per-class queue status and global reserved resource situation and using this information makes the frame dropping decision after receiving a switch response. If the decision is not to drop, the TxQ manager requests that the FCB manager link the unicast frame's FCB to the correct per-port-per-class TxQ. If multicast, the TxQ manager writes to the multicast queue for that port and class. The TxQ manager can also trigger source port flow control for the incoming frame's source if that port is flow control enabled. Second, the TxQ manager handles transmission scheduling; it schedules transmission among the queues representing different classes for a port. Once a frame has been scheduled, the TxQ manager reads the FCB information and writes to the correct port control module.

6.3 Port Control

The port control module calculates the SRAM read address for the frame currently being transmitted. It also writes start of frame information and an end of frame flag to the MAC TxFIFO. When transmission is done, the port control module requests that the buffer be released.

6.4 TxDMA

The TxDMA multiplexes data and address from port control and arbitrates among buffer release requests from the port control modules.

7.0 Quality of Service and Flow Control

7.1 Model

Quality of service is an all-encompassing term for which different people have different interpretations. In general, the approach to quality of service described here assumes that we do not know the offered traffic pattern. We also assume that the incoming traffic is not policed or shaped. Furthermore, we assume that the network manager knows his applications, such as voice, file transfer or web browsing and their relative importance. The manager can then subdivide the applications into classes and set up a service contract with each. The contract may consist of bandwidth or latency assurances per class. Sometimes it may even reflect an estimate of the traffic mix offered to the switch. As an added bonus, although we do not assume anything about the arrival pattern, if the incoming traffic is policed or shaped we may be able to provide additional assurances about our switch's performance.

Table 8 shows examples of QoS applications with three transmission priorities, but best effort (P0) traffic may form a fourth class with no bandwidth or latency assurances. Gigabit ports actually have eight total transmission priorities.

Goals	Total Assured Bandwidth (user defined)	Low Drop Probability (low-drop)	High Drop Probability (high-drop)
Highest transmission priority, P3	50 Mbps	Apps: phone calls, circuit emulation. Latency: < 1 ms. Drop: No drop if P3 not oversubscribed.	Apps: training video. Latency: < 1 ms. Drop: No drop if P3 not oversubscribed; first P3 to drop otherwise.

Table 7 - Two-Dimensional World Traffic

Goals	Total Assured Bandwidth (user defined)	Low Drop Probability (low-drop)	High Drop Probability (high-drop)
Middle transmission priority, P2	37.5 Mbps	Apps: interactive apps, Web business. Latency: < 4-5 ms. Drop: No drop if P2 not oversubscribed.	Apps: non-critical interactive apps. Latency: < 4-5 ms. Drop: No drop if P2 not oversubscribed; first P2 to drop otherwise.
Low transmission priority, P1	12.5 Mbps	Apps: emails, file backups. Latency: < 16 ms desired, but not critical. Drop: No drop if P1 not oversubscribed.	Apps: casual web browsing. Latency: < 16 ms desired, but not critical. Drop: No drop if P1 not oversubscribed; first to drop otherwise.
Total	100 Mbps		

Table 7 - Two-Dimensional World Traffic

A class is capable of offering traffic that exceeds the contracted bandwidth. A well-behaved class offers traffic at a rate no greater than the agreed-upon rate. By contrast, a misbehaving class offers traffic that exceeds the agreed-upon rate. A misbehaving class is formed from an aggregation of misbehaving microflows. To achieve high link utilization, a misbehaving class is allowed to use any idle bandwidth. However, such leniency must not degrade the quality of service (QoS) received by well-behaved classes.

As Table 8 illustrates, the six traffic types may each have their own distinct properties and applications. As shown, classes may receive bandwidth assurances or latency bounds. In the table, P3, the highest transmission class, requires that all frames be transmitted within 1 ms, and receives 50% of the 100 Mbps of bandwidth at that port.

Best-effort (P0) traffic forms a fourth class that only receives bandwidth when none of the other classes have any traffic to offer. It is also possible to add a fourth class that has strict priority over the other three; if this class has even one frame to transmit, then it goes first. In the ZL50418, each 10/100 Mbps port will support four total classes, and each 1000 Mbps port will support eight classes. We will discuss the various modes of scheduling these classes in the next section.

In addition, each transmission class has two subclasses, high-drop and low-drop. Well-behaved users should rarely lose packets. But poorly behaved users – users who send frames at too high a rate – will encounter frame loss, and the first to be discarded will be high-drop. Of course, if this is insufficient to resolve the congestion, eventually some low-drop frames are dropped, and then all frames in the worst case.

Table 8 shows that different types of applications may be placed in different boxes in the traffic table. For example, casual web browsing fits into the category of high-loss, high-latency-tolerant traffic, whereas VoIP fits into the category of low-loss, low-latency traffic.

7.2 Four QoS Configurations

There are four basic pieces to QoS scheduling in the ZL50418: strict priority (SP), delay bound, weighted fair queuing (WFQ), and best effort (BE). Using these four pieces, there are four different modes of operation, as shown in the tables below. For 10/100 Mbps ports, the following registers select these modes:

QOSC24 [7:6]_CREDIT_C00

QOSC28 [7:6]_CREDIT_C10

QOSC32 [7:6]_CREDIT_C20

QOSC36 [7:6]_CREDIT_C30

	P3	P2	P1	P0
Op1 (default)	Delay Bound			BE
Op2	SP	Delay Bound		BE
Op3	SP	WFQ		
Op4	WFQ			

Table 8 - Four QoS Configurations for a 10/100 Mbps Port

QOSC40 [7:6] and QOSC48 [7:6] select these modes for the first and second gigabit ports, respectively.

	P7	P6	P5	P4	P3	P2	P1	P0
Op1 (default)	Delay Bound						BE	
Op2	SP		Delay Bound				BE	
Op3	SP		WFQ					
Op4	WFQ							

Table 9 - Four QoS Configurations for a Gigabit Port

The default configuration for a 10/100 Mbps port is three delay-bounded queues and one best-effort queue. The delay bounds per class are 0.8 ms for P3, 3.2 ms for P2, and 12.8 ms for P1. For a 1 Gbps port, we have a default of six delay-bounded queues and two best-effort queues. The delay bounds for a 1 Gbps port are 0.16 ms for P7 and P6, 0.32 ms for P5, 0.64 ms for P4, 1.28 ms for P3, and 2.56 ms for P2. Best effort traffic is only served when there is no delay-bounded traffic to be served. For a 1 Gbps port where there are two best-effort queues P1 has strict priority over P0.

We have a second configuration for a 10/100 Mbps port in which there is one strict priority queue, two delay bounded queues and one best effort queue. The delay bounds per class are 3.2 ms for P2 and 12.8 ms for P1. If the user is to choose this configuration, it is important that P3 (SP) traffic be either policed or implicitly bounded (e.g., if the incoming P3 traffic is very light and predictably patterned). Strict priority traffic, if not admission-controlled at a prior stage to the ZL50418 can have an adverse effect on all other classes' performance. For a 1 Gbps port, P7 and P6 are both SP classes, and P7 has strict priority over P6. In this case, the delay bounds per class are 0.32 ms for P5, 0.64 ms for P4, 1.28 ms for P3, and 2.56 ms for P2.

The third configuration for a 10/100 Mbps port contains one strict priority queue and three queues receiving a bandwidth partition via WFQ. As in the second configuration, strict priority traffic needs to be carefully controlled. In the fourth configuration all queues are served using a WFQ service discipline.

7.3 Delay Bound

In the absence of a sophisticated QoS server and signaling protocol, the ZL50418 may not know the mix of incoming traffic ahead of time. To cope with this uncertainty, our delay assurance algorithm dynamically adjusts its scheduling and dropping criteria, guided by the queue occupancies and the due dates of their head-of-line (HOL)

frames. As a result we assure latency bounds for all admitted frames with high confidence, even in the presence of system-wide congestion. Our algorithm identifies misbehaving classes and intelligently discards frames at no detriment to well-behaved classes. Our algorithm also differentiates between high-drop and low-drop traffic with a weighted random early drop (WRED) approach. Random early dropping prevents congestion by randomly dropping a percentage of high-drop frames even before the chip's buffers are completely full, while still largely sparing low-drop frames. This allows high-drop frames to be discarded early, as a sacrifice for future low-drop frames. Finally, the delay bound algorithm also achieves bandwidth partitioning among classes.

7.4 Strict Priority and Best Effort

When strict priority is part of the scheduling algorithm, if a queue has even one frame to transmit, it goes first. Two of our four QoS configurations include strict priority queues. The goal is for strict priority classes to be used for IETF expedited forwarding (EF), where performance guarantees are required. As we have indicated, it is important that strict priority traffic be either policed or implicitly bounded, so as to keep from harming other traffic classes.

When best effort is part of the scheduling algorithm, a queue only receives bandwidth when none of the other classes have any traffic to offer. Two of our four QoS configurations include best effort queues. The goal is for best effort classes to be used for non-essential traffic, because we provide no assurances about best effort performance. However, in a typical network setting, much best effort traffic will indeed be transmitted and with an adequate degree of expediency.

Because we do not provide any delay assurances for best effort traffic, we do not enforce latency by dropping best effort traffic. Furthermore, because we assume that strict priority traffic is carefully controlled before entering the ZL50418, we do not enforce a fair bandwidth partition by dropping strict priority traffic. To summarize, dropping to enforce bandwidth or delay does not apply to strict priority or best effort queues. We only drop frames from best effort and strict priority queues when global buffer resources become scarce.

7.5 Weighted Fair Queuing

In some environments – for example, in an environment in which delay assurances are not required, but precise bandwidth partitioning on small time scales is essential, WFQ may be preferable to a delay-bounded scheduling discipline. The ZL50418 provides the user with a WFQ option with the understanding that delay assurances can not be provided if the incoming traffic pattern is uncontrolled. The user sets four WFQ “weights” (eight for Gigabit ports) such that all weights are whole numbers and sum to 64. This provides per-class bandwidth partitioning with error within 2%.

In WFQ mode, though we do not assure frame latency, the ZL50418 still retains a set of dropping rules that helps to prevent congestion and trigger higher level protocol end-to-end flow control.

As before, when strict priority is combined with WFQ, we do not have special dropping rules for the strict priority queues, because the input traffic pattern is assumed to be carefully controlled at a prior stage. However, we do indeed drop frames from SP queues for global buffer management purposes. In addition, queue P0 for a 10/100 port (and queues P0 and P1 for a Gigabit port) are treated as best effort from a dropping perspective, though they still are assured a percentage of bandwidth from a WFQ scheduling perspective. What this means is that these particular queues are only affected by dropping when the global buffer count becomes low.

7.6 Shaper

Although traffic shaping is not a primary function of the ZL50418, the chip does implement a shaper for expedited forwarding (EF). Our goal in shaping is to control the peak and average rate of traffic exiting the ZL50418. Shaping is limited to the two Gigabit ports only, and only to class P6 (the second highest priority). This means that class P6 will be the class used for EF traffic. If shaping is enabled for P6, then P6 traffic must be scheduled using strict priority. With reference to Table 7, only the middle two QoS configurations may be used.

Peak rate is set using a programmable whole number, no greater than 64. For example, if the setting is 32, then the peak rate for shaped traffic is $32/64 * 1000 \text{ Mbps} = 500 \text{ Mbps}$. Average rate is also a programmable whole number,

no greater than 64, and no greater than the peak rate. For example, if the setting is 16, then the average rate for shaped traffic is $16/64 * 1000 \text{ Mbps} = 250 \text{ Mbps}$. As a consequence of the above settings in our example, shaped traffic will exit the ZL50418 at a rate always less than 500 Mbps, and averaging no greater than 250 Mbps. See Programming QoS Register Application Note for more information.

Also, when shaping is enabled, it is possible for a P6 queue to explode in length if fed by a greedy source. The reason is that a shaper is by definition not work-conserving; that is, it may hold back from sending a packet even if the line is idle. Though we do have global resource management, we do nothing to prevent this situation locally. We assume SP traffic is policed at a prior stage to the ZL50418.

7.7 Rate Control

The ZL50418 provides a rate control function on its 10/100 ports. This rate control function applies to the outgoing traffic aggregate on each 10/100 port. It provides a way of reducing the outgoing average rate below full wire speed. Note that the rate control function does not shape or manipulate any particular traffic class. Furthermore, though the average rate of the port can be controlled with this function, the peak rate will still be full line rate.

Two principal parameters are used to control the average rate for a 10/100 port. A port's rate is controlled by allowing, on average, M bytes to be transmitted every N microseconds. Both of these values are programmable. The user can program the number of bytes in 8-byte increments, and the time may be set in units of 10 ms.

The value of M/N will, of course, equal the average data rate of the outgoing traffic aggregate on the given 10/100 port. Although there are many (M,N) pairs that will provide the same average data rate performance, the smaller the time interval N, the "smoother" the output pattern will appear.

In addition to controlling the average data rate on a 10/100 port, the rate control function also manages the maximum burst size at wire speed. The maximum burst size can be considered the memory of the rate control mechanism; if the line has been idle for a long time, to what extent can the port "make up for lost time" by transmitting a large burst? This value is also programmable, measured in 8-byte increments.

Example: Suppose that the user wants to restrict Fast Ethernet port P's average departure rate to 32 Mbps – 32% of line rate – when the average is taken over a period of 10 ms. In an interval of 10 ms, exactly 40000 bytes can be transmitted at an average rate of 32 Mbps.

So how do we set the parameters? The rate control parameters are contained in an internal RAM block accessible through the CPU port (See Programming QoS Registers application note and Processor Interface Application Note). The data format is shown below.

63:40	39:32	31:16	15:0
0	Time interval	Maximum burst size	Number of bytes

As we indicated earlier, the number of bytes is measured in 8-byte increments, so the 16-bit field "Number of bytes" should be set to $(40000/8) 500$. In addition, the time interval has to be indicated in units of 10 ms. Though we want the average data rate on port P to be 32 Mbps when measured over an interval of 10 ms, we can also adjust the maximum number of bytes that can be transmitted at full line rate in any single burst. Suppose we wish this limit to be 12 kilobytes. The number of bytes is measured in 8-byte increments, so the 16-bit field "Maximum burst size" is set to $(12000/8) 1500$.

7.8 WRED Drop Threshold Management Support

To avoid congestion, the Weighted Random Early Detection (WRED) logic drops packets according to specified parameters. The following table summarizes the behavior of the WRED logic.

In KB (kilobytes)	P3	P2	P1	High Drop	Low Drop
Level 1 $N \geq 120$	$P3 \geq \text{AKB}$	$P2 \geq \text{BKB}$	$P1 \geq \text{CKB}$	X%	0%
Level 2 $N \geq 140$				Y%	Z%
Level 3 $N \geq 160$				100%	100%

Figure 12 - Behaviour of the WRED Logic

P_x is the total byte count, in the priority queue x . The WRED logic has three drop levels, depending on the value of N , which is based on the number of bytes in the priority queues. If delay bound scheduling is used, N equals $P3*16+P2*4+P1$. If using WFQ scheduling, N equals $P3+P2+P1$. Each drop level from one to three has defined high-drop and low-drop percentages, which indicate the minimum and maximum percentages of the data that can be discarded. The X, Y Z percent can be programmed by the register RDRC0, RDRC1. In Level 3, all packets are dropped if the bytes in each priority queue exceed the threshold. Parameters A, B, C are the byte count thresholds for each priority queue. They can be programmed by the QoS control register (refer to the register group 5). See Programming QoS Registers Application Note for more information.

7.9 Buffer Management

Because the number of FDB slots is a scarce resource and because we want to ensure that one misbehaving source port or class cannot harm the performance of a well-behaved source port or class, we introduce the concept of buffer management into the ZL50418. Our buffer management scheme is designed to divide the total buffer space into numerous reserved regions and one shared pool, as shown in Figure 13 on page 38.

As shown in the figure, the FDB pool is divided into several parts. A reserved region for temporary frames stores frames prior to receiving a switch response. Such a temporary region is necessary, because when the frame first enters the ZL50418, its destination port and class are as yet unknown and so the decision to drop or not needs to be temporarily postponed. This ensures that every frame can be received first before subjecting them to the frame drop discipline after classifying.

Six reserved sections, one for each of the first six priority classes, ensure a programmable number of FDB slots per class. The lowest two classes do not receive any buffer reservation. Furthermore, even for 10/100 Mbps ports, a frame is stored in the region of the FDB corresponding to its class. As we have indicated, the eight classes use only four transmission scheduling queues for 10/100 Mbps ports, but as far as buffer usage is concerned there are still eight distinguishable classes.

Another segment of the FDB reserves space for each of the 27 ports — 26 ports for Ethernet and one CPU port (port number 16). Two parameters can be set, one for the source port reservation for 10/100 Mbps ports and CPU port and one for the source port reservation for 1 Gbps ports. These 27 reserved regions make sure that no well-behaved source port can be blocked by another misbehaving source port.

In addition, there is a shared pool, which can store any type of frame. The frame engine allocates the frames first in the six priority sections. When the priority section is full or the packet has priority 1 or 0, the frame is allocated in the shared poll. Once the shared poll is full the frames are allocated in the section reserved for the source port.

The following registers define the size of each section of the Frame data Buffer:

- PR100- Port Reservation for 10/100 Ports
- PRG- Port Reservation for Giga Ports
- SFCB- Share FCB Size
- C2RS- Class 2 Reserve Size
- C3RS- Class 3 Reserve Size
- C4RS- Class 4 Reserve Size
- C5RS- Class 5 Reserve Size
- C6RS- Class 6 Reserve Size
- C7RS- Class 7 Reserve Size

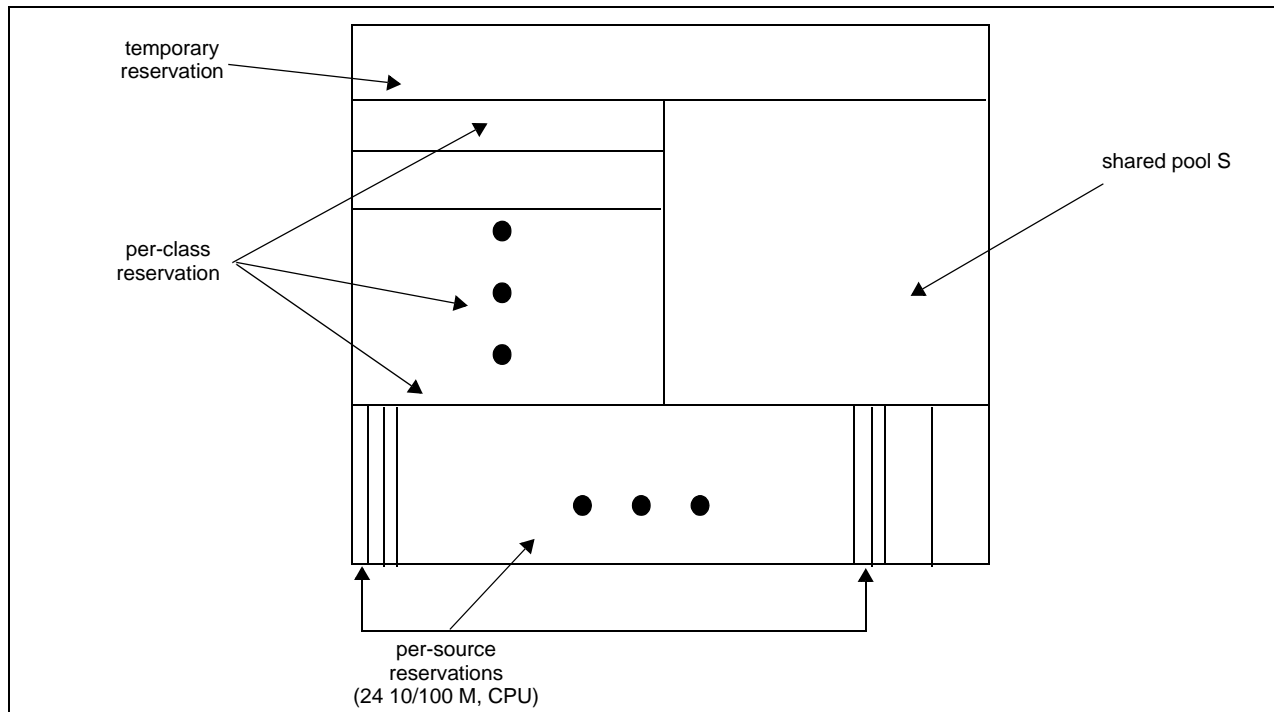


Figure 13 - Buffer Partition Scheme Used to Implement Buffer Management

7.9.1 Dropping When Buffers Are Scarce

Summarizing the two examples of local dropping discussed earlier in this chapter:

If a queue is a delay-bounded queue, we have a multilevel WRED drop scheme designed to control delay and partition bandwidth in case of congestion.

If a queue is a WFQ-scheduled queue, we have a multilevel WRED drop scheme designed to prevent congestion.

In addition to these reasons for dropping, we also drop frames when global buffer space becomes scarce. The function of buffer management is to make sure that such dropping causes as little blocking as possible.

7.10 ZL50418 Flow Control Basics

Because frame loss is unacceptable for some applications, the ZL50418 provides a flow control option. When flow control is enabled, scarcity of buffer space in the switch may trigger a flow control signal; this signal tells a source port that is sending a packet to this switch to temporarily hold off.

While flow control offers the clear benefit of no packet loss, it also introduces a problem for quality of service. When a source port receives an Ethernet flow control signal, all microflows originating at that port, well-behaved or not, are halted. A single packet destined for a congested output can block other packets destined for uncongested outputs. The resulting head-of-line blocking phenomenon means that quality of service cannot be assured with high confidence when flow control is enabled.

In the ZL50418, each source port can independently have flow control enabled or disabled. For flow control enabled ports, by default all frames are treated as lowest priority during transmission scheduling. This is done so that those frames are not exposed to the WRED Dropping scheme. Frames from flow control enabled ports feed to only one queue at the destination, the queue of lowest priority. What this means is that if flow control is enabled for a given source port, then we can guarantee that no packets originating from that port will be lost, but at the possible expense of minimum bandwidth or maximum delay assurances. In addition, these “downgraded” frames may only use the shared pool or the per-source reserved pool in the FDB; frames from flow control enabled sources may not use reserved FDB slots for the highest six classes (P2-P7).

The ZL50418 does provide a system-wide option of permitting normal QoS scheduling (and buffer use) for frames originating from flow control enabled ports. When this programmable option is active, it is possible that some packets may be dropped, even though flow control is on. The reason is that intelligent packet dropping is a major component of the ZL50418’s approach to ensuring bounded delay and minimum bandwidth for high priority flows.

7.10.1 Unicast Flow Control

For unicast frames, flow control is triggered by source port resource availability. Recall that the ZL50418’s buffer management scheme allocates a reserved number of FDB slots for each source port. If a programmed number of a source port’s reserved FDB slots have been used, then flow control Xoff is triggered.

Xon is triggered when a port is currently being flow controlled, and all of that port’s reserved FDB slots have been released.

Note that the ZL50418’s per-source-port FDB reservations assure that a source port that sends a single frame to a congested destination will not be flow controlled.

7.10.2 Multicast Flow Control

In unmanaged mode, flow control for multicast frames is triggered by a global buffer counter. When the system exceeds a programmable threshold of multicast packets Xoff is triggered. Xon is triggered when the system returns below this threshold.

In managed mode, per-VLAN flow control is used for multicast frames. In this case, flow control is triggered by congestion at the destination. How so? The ZL50418 checks each destination to which a multicast packet is headed. For each destination port, the occupancy of the lowest-priority transmission multicast queue (measured in number of frames) is compared against a programmable congestion threshold. If congestion is detected at even one of the packet’s destinations, then Xoff is triggered.

In addition, each source port has a 26-bit port map recording which port or ports of the multicast frame’s fanout were congested at the time Xoff was triggered. All ports are continuously monitored for congestion, and a port is identified as uncongested when its queue occupancy falls below a fixed threshold. When all those ports that were originally marked as congested in the port map have become uncongested, then Xon is triggered, and the 26-bit vector is reset to zero.

The ZL50418 also provides the option of disabling VLAN multicast flow control.

Note: If per-Port flow control is on, QoS performance will be affected.

7.11 Mapping to IETF Diffserv Classes

The mapping between priority classes discussed in this chapter and elsewhere is shown below.

ZL	P7	P6	P5	P4	P3	P2	P1	P0
IETF	NM	EF	AF0	AF1	AF2	AF3	BE0	BE1

Table 10 - Mapping between ZL50418 and IETF Diffserv Classes for Gigabit Ports

As the table illustrates, P7 is used solely for network management (NM) frames. P6 is used for expedited forwarding service (EF). Classes P2 through P5 correspond to an assured forwarding (AF) group of size 4. Finally, P0 and P1 are two best effort (BE) classes.

For 10/100 Mbps ports, the classes of Table 9 are merged in pairs—one class corresponding to NM+EF, two AF classes and a single BE class.

ZL	P3	P2	P1	P0
IETF	NM+EF	AF0	AF1	BE0

Table 11 - Mapping between ZL50418 and IETF Diffserv Classes for 10/100 Ports

Features of the ZL50418 that correspond to the requirements of their associated IETF classes are summarized in the table below.

Network management (NM) and Expedited forwarding (EF)	Global buffer reservation for NM and EF Shaper for EF traffic on 1 Gbps ports Option of strict priority scheduling No dropping if admission controlled
Assured forwarding (AF)	Four AF classes for 1 Gbps ports Programmable bandwidth partition, with option of WFQ service Option of delay-bounded service keeps delay under fixed levels even if not admission-controlled Random early discard, with programmable levels Global buffer reservation for each AF class
Best effort (BE)	Two BE classes for 1 Gbps ports Service only when other queues are idle means that QoS not adversely affected Random early discard, with programmable levels Traffic from flow control enabled ports automatically classified as BE

Table 12 - ZL50418 Features Enabling IETF Diffserv Standards

8.0 Port Trunking

8.1 Features and Restrictions

A port group (i.e., trunk) can include up to 4 physical ports, but when using stack all of the ports in a group must be in the same ZL50418.

The two Gigabit ports may also be trunked together. There are three trunk groups total, including the option to trunk Gigabit ports.

Load distribution among the ports in a trunk for unicast is performed using hashing based on source MAC address and destination MAC address. Three other options include source MAC address only, destination MAC address only and source port (in bidirectional ring mode only). Load distribution for multicast is performed similarly.

If a VLAN includes any of the ports in a trunk group, all the ports in that trunk group should be in the same VLAN member map.

The ZL50418 also provides a safe fail-over mode for port trunking automatically. If one of the ports in the trunking group goes down, the ZL50418 will automatically redistribute the traffic over to the remaining ports in the trunk in unmanaged mode. In managed mode, the software can perform similar tasks.

8.2 Unicast Packet Forwarding

The search engine finds the destination MCT entry and if the status field says that the destination port found belongs to a trunk, then the group number is retrieved instead of the port number. In addition, if the source address belongs to a trunk, then the source port's trunk membership register is checked.

A hash key, based on some combination of the source and destination MAC addresses for the current packet, selects the appropriate forwarding port, as specified in the Trunk_Hash registers.

8.3 Multicast Packet Forwarding

For multicast packet forwarding, the device must determine the proper set of ports from which to transmit the packet based on the VLAN index and hash key.

Two functions are required in order to distribute multicast packets to the appropriate destination ports in a port trunking environment.

Determining one forwarding port per group.

Preventing the multicast packet from looping back to the source trunk.

The search engine needs to prevent a multicast packet from sending to a port that is in the same trunk group with the source port. This is because, when we select the primary forwarding port for each group, we do not take the source port into account. To prevent this, we simply apply one additional filter so as to block that forwarding port for this multicast packet.

8.4 Unmanaged Trunking

In unmanaged mode, 3 trunk groups are supported. Groups 0 and 1 can trunk up to 4 10/100 ports. Group 2 can trunk 2 Gigabit ports. The supported combinations are shown in the following table.

Group 0	Port 0	Port 1	Port 2	Port 3
	✓	✓		

Table 13 - Select via trunk0_mode register

✓	✓	✓	
✓	✓	✓	✓

Table 13 - Select via trunk0_mode register

Group 1	Port 4	Port 5	Port 6	Port 7
	✓	✓		
	✓	✓	✓	✓

Table 14 - Select via trunk1_mode register

Group 2	Port 25(Giga 0)	Port 26 (Giga 1)
	✓	✓

Table 15 - Unmanaged Mode

In unmanaged mode, the trunks are individually enabled/disabled by controlling pin trunk0,1,2.

9.0 Port Mirroring

9.1 Port Mirroring Features

The received or transmitted data of any 10/100 port in the ZL50418 chip can be “mirrored” to any other port. We support two such mirrored source-destination pairs. A mirror port can not also serve as a data port.

9.2 Setting Registers for Port Mirroring

MIRROR1_SRC: Sets the source port for the first port mirroring pair. Bits [4:0] select the source port to be mirrored. An illegal port number is used to disable mirroring (which is the default setting). Bit [5] is used to select between ingress (Rx) or egress (Tx) data.

MIRROR1_DEST: Sets the destination port for the first port mirroring pair. Bits [4:0] select the destination port to be mirrored.

MIRROR2_SRC: Sets the source port for the second port mirroring pair. Bits [4:0] select the source port to be mirrored. An illegal port number is used to disable mirroring (which is the default setting). Bit [5] is used to select between ingress (Rx) or egress (Tx) data.

MIRROR2_DEST: Sets the destination port for the second port mirroring pair. Bits [4:0] select the destination port to be mirrored. The default is port 0.

Refer to Port Mirroring Application Notes for further information.

10.0 TBI Interface

10.1 TBI Connection

The TBI interface can be used for 1000Mbps fiber operation. In this mode, the ZL50418 is connected to the Serdes as shown in Figure 14. There are two TBI interfaces in the ZL50418 devices. To enable to TBI function, the corresponding TXEN and TXER pins need to be boot strapped. See Ball – Signal Description for details.

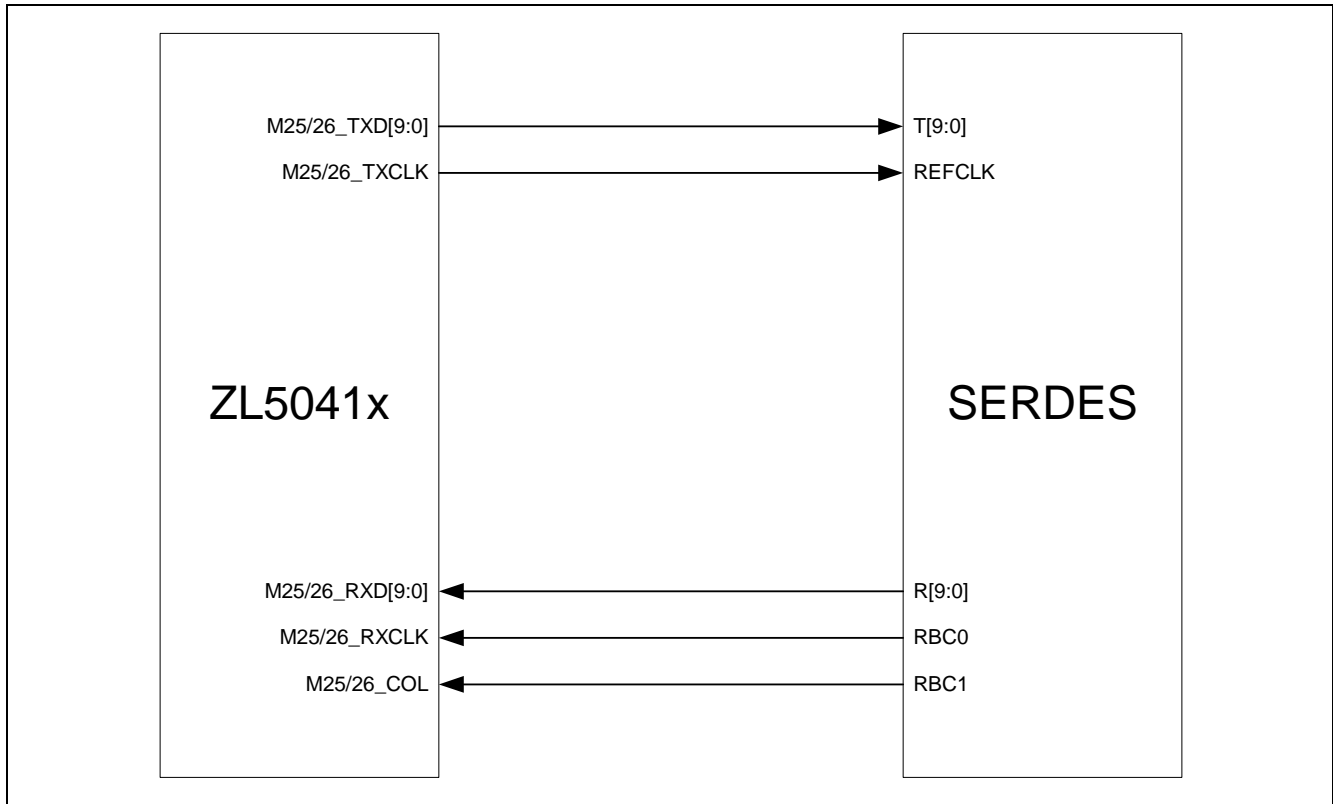


Figure 14 - TBI Connection

11.0 GPSI (7WS) Interface

11.1 GPSI connection

The 10/100 RMII ethernet port can function in GPSI (7WS) mode when the corresponding TXEN pin is strapped low with a 1 K pull down resistor. In this mode, the TXD[0], TXD[1], RXD[0] and RXD[1] serve as TX data, TX clock, RX data and RX clock respectively. The link status and collision from the PHY are multiplexed and shifted into the switch device through external glue logic. The duplex of the port can be controlled by programming the ECR register. The GPSI interface can be operated in port based VLAN mode only.

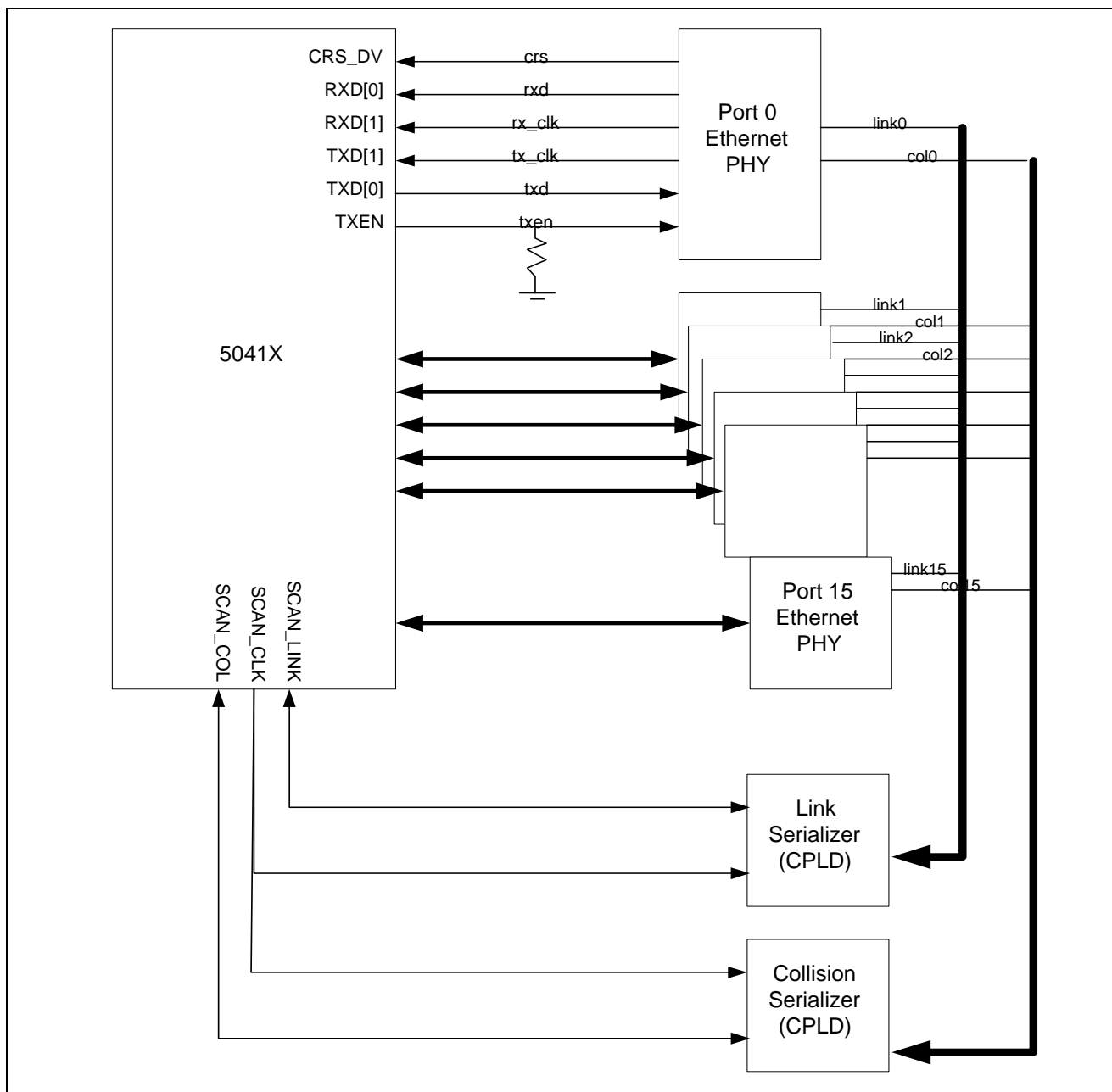


Figure 15 - GPSI (7WS) Mode Connection Diagram

11.2 SCAN LINK and SCAN COL interface

An external CPLD logic is required to take the link signals and collision signals from the GPSI PHYS and shift them into the switch device. The switch device will drive out a signature to indicate the start of the sequence. After that, the CPLD should shift in the link and collision status of the PHYS as shown in the figure. The extra link status indicates the polarity of the link signal. One indicates the polarity of the link signal is active high.

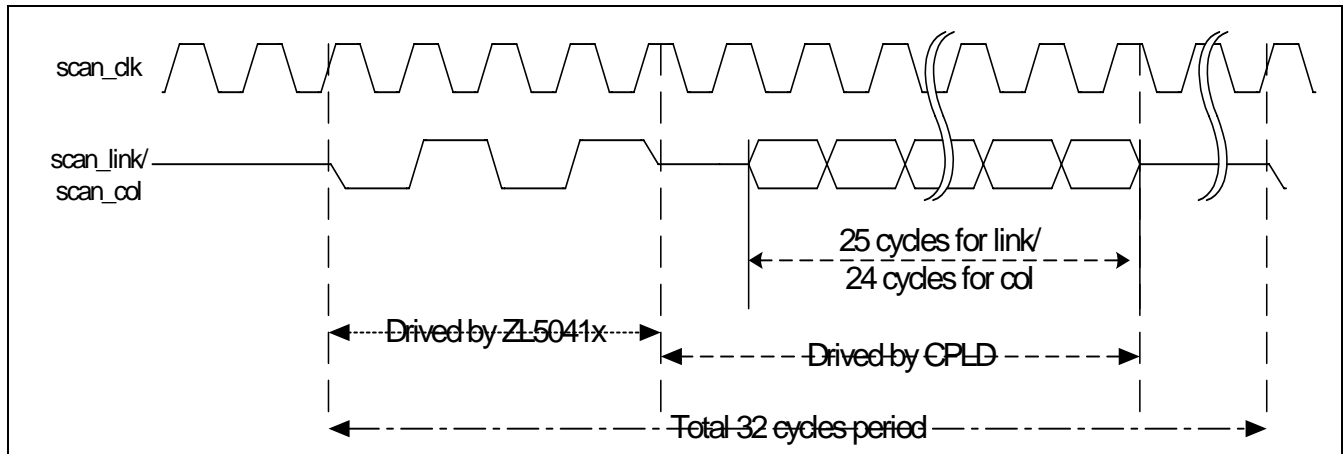


Figure 16 - SCAN LINK and SCAN COLLISION Status Diagram

12.0 LED Interface

12.1 LED Interface Introduction

A serial output channel provides port status information from the ZL50418 chips. It requires three additional pins.

LED_CLK at 12.5 MHz

LED_SYN a sync pulse that defines the boundary between status frames

LED_DATA a continuous serial stream of data for all status LEDs that repeats once every frame time

A non-serial interface is also allowed, but in this case only the Gigabit ports will have status LEDs.

A low cost external device (44 pin PAL) is used to decode the serial data and to drive an LED array for display. This device can be customized for different needs.

12.2 Port Status

In the ZL50418, each port has 8 status indicators each represented by a single bit. The 8 LED status indicators are:

- Bit 0: Flow control
- Bit 1: Transmit data
- Bit 2: Receive data
- Bit 3: Activity (where activity includes either transmission or reception of data)
- Bit 4: Link up
- Bit 5: Speed (1= 100 Mb/s; 0= 10 Mb/s)
- Bit 6: Full-duplex
- Bit 7: Collision

Eight clocks are required to cycle through the eight status bits for each port.

When the LED_SYN pulse is asserted, the LED interface will present 256 LED clock cycles with the clock cycles providing information for the following ports.

- Port 0 (10/100): cycles #0 to cycle #7
- Port 1 (10/100): cycles#8 to cycle #15
- Port 2 (10/100): cycle #16 to cycle #23
- ...
- Port 14(10/100): cycle #112 to cycle #119
- Port 15(10/100): cycle #120 to cycle #127
- Port 24 (Gigabit 1): cycle #192 to cycle #199
- Port 25 (Gigabit 2): cycle #200 to cycle #207
- Byte 26 (additional status): cycle #208 to cycle #215
- Byte 27 (additional status): cycle #216 to cycle #223

Cycles #224 to 256 present data with a value of zero.

The first two bits of byte 26 provides the speed information for the Gigabit ports while the remainder of byte 26 and byte 27 provides bist status

- 26[0]: G0 port (1= port 24 is operating at Gigabit speed; 0= speed is either 10 or 100 Mb/s depending on speed bit of Port 24)
- 26[1]: G1 port (1= port 25 is operating at Gigabit speed; 0= speed is either 10 or 100 Mb/s depending on speed bit of Port 25)
- 26[2]: initialization done
- 26[3]: initialization start
- 26[4]: checksum ok
- 26[5]: link_init_complete
- 26[6]: bist_fail
- 26[7]: ram_error
- 27[0]: bist_in_process
- 27[1]: bist_done

12.3 LED Interface Timing Diagram

The signal from the ZL50418 to the LED decoder is shown in Figure 17.

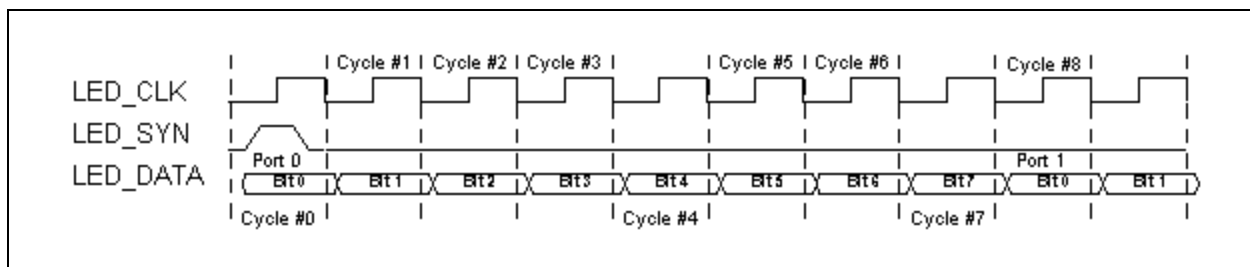


Figure 17 - Timing Diagram of LED Interface

13.0 Hardware Statistics Counter

13.1 Hardware Statistics Counters List

ZL50418 hardware provides a full set of statistics counters for each Ethernet port. The CPU accesses these counters through the CPU interface. All hardware counters are rollover counters. When a counter rolls over, the CPU is interrupted, so that long-term statistics may be kept. The MAC detects all statistics, except for the delay exceed discard counter (detected by buffer manager) and the filtering counter (detected by queue manager). The following is the wrapped signal sent to the CPU through the command block.

31 30

26 25

0

	Status Wrapped Signal
--	-----------------------

B[0]	0-d	Bytes Sent (D)
B[1]	1-L	Unicast Frame Sent
B[2]	1-U	Frame Send Fail
B[3]	2-l	Flow Control Frames Sent
B[4]	2-u	Non-Unicast Frames Sent
B[5]	3-d	Bytes Received (Good and Bad) (D)
B[6]	4-d	Frames Received (Good and Bad) (D)
B[7]	5-d	Total Bytes Received (D)
B[8]	6-L	Total Frames Received
B[9]	6-U	Flow Control Frames Received
B[10]	7-l	Multicast Frames Received
B[11]	7-u	Broadcast Frames Received
B[12]	8-L	Frames with Length of 64 Bytes
B[13]	8-U	Jabber Frames
B[14]	9-L	Frames with Length Between 65-127 Bytes
B[15]	9-U	Oversize Frames
B[16]	A-l	Frames with Length Between 128-255 Bytes
B[17]	A-u	Frames with Length Between 256-511 Bytes
B[18]	B-l	Frames with Length Between 512-1023 Bytes
B[19]	B-u	Frames with Length Between 1024-1528 Bytes
B[20]	C-l	Fragments
B[21]	C-U1	Alignment Error
B[22]	C-U	Undersize Frames
B[23]	D-l	CRC
B[24]	D-u	Short Event
B[25]	E-l	Collision
B[26]	E-u	Drop
B[27]	F-l	Filtering Counter
B[28]	F-U1	Delay Exceed Discard Counter

B[29]	F-U	Late Collision
B[30]		Link Status Change
B[31]		Current link status

Notation: X-Y

X: Address in the contain memory

Y: Size and bits for the counter

d: D Word counter

L: 24 bits counter bit [23:0]

U: 8 bits counter bit [31:24]

U1: 8 bits counter bit [23:16]

l: 16 bits counter bit [15:0]

u: 16 bits counter bit [31:16]

13.2 EEE 802.3 HUB Management (RFC 1516)

13.2.1 Event Counters

13.2.1.1 READABLEOCTET

Counts number of bytes (i.e. octets) contained in good valid frames received.

Frame size: ≥ 64 bytes, ≤ 1522 bytes if VLAN Tagged;
1518 bytes if not VLAN Tagged

No FCS (i.e. checksum) error

No collisions

13.2.1.2 ReadableFrame

Counts number of good valid frames received.

Frame size: ≥ 64 bytes, ≤ 1522 bytes if VLAN Tagged;
1518 bytes if not VLAN Tagged

No FCS error

No collisions

13.2.1.3 FCSErrors

Counts number of valid frames received with bad FCS.

Frame size: ≥ 64 bytes, ≤ 1522 bytes if VLAN Tagged;
1518 bytes if not VLAN Tagged

No framing error

No collisions

13.2.1.4 AlignmentErrors

Counts number of valid frames received with bad alignment (not byte-aligned).

Frame size: ≥ 64 bytes, ≤ 1522 bytes if VLAN Tagged;
1518 bytes if not VLAN Tagged

No framing error

No collisions

13.2.1.5 FrameTooLongs

Counts number of frames received with size exceeding the maximum allowable frame size.

Frame size: ≥ 64 bytes, > 1522 bytes if VLAN Tagged;
1518 bytes if not VLAN Tagged

FCS error: don't care

Framing error: don't care

No collisions

13.2.1.6 ShortEvents

Counts number of frames received with size less than the length of a short event.

Frame size: < 10 bytes

FCS error: don't care

Framing error: don't care

No collisions

13.2.1.7 Runts

Counts number of frames received with size under 64 bytes, but greater than the length of a short event.

Frame size:	≥ 10 bytes,	< 64 bytes
FCS error:	don't care	
Framing error:	don't care	
No collisions		

13.2.1.8 Collisions

Counts number of collision events.

Frame size:	any size
-------------	----------

13.2.1.9 LateEvents

Counts number of collision events that occurred late (after LateEventThreshold = 64 bytes).

Frame size:	any size
-------------	----------

Events are also counted by collision counter

13.2.1.10 VeryLongEvents

Counts number of frames received with size larger than Jabber Lockup Protection Timer (TW3).

Frame size:	$>$ Jabber
-------------	------------

13.2.1.11 DataRateMisatches

For repeaters or HUB application only.

13.2.1.12 AutoPartitions

For repeaters or HUB application only.

13.2.1.13 TotalErrors

Sum of the following errors:

FCS errors

Alignment errors

Frame too long

Short events

Late events

Very long events

13.3 IEEE – 802.1 Bridge Management (RFC 1286)

13.3.1 Event Counters

13.3.1.1 InFrames

Counts number of frames received by this port or segment.

Note: A frame received by this port is only counted by this counter if and only if it is for a protocol being processed by the local bridge function.

13.3.1.2 OutFrames

Counts number of frames transmitted by this port.

Note: A frame transmitted by this port is only counted by this counter if and only if it is for a protocol being processed by the local bridge function.

13.3.1.3 InDiscards

Counts number of valid frames received which were discarded (i.e., filtered) by the forwarding process.

13.3.1.4 DelayExceededDiscards

Counts number of frames discarded due to excessive transmit delay through the bridge.

13.3.1.5 MtuExceededDiscards

Counts number of frames discarded due to excessive size.

13.4 RMON – Ethernet Statistic Group (RFC 1757)

13.4.1 Event Counters

13.4.1.1 Drop Events

Counts number of times a packet is dropped, because of lack of available resources. DOES NOT include all packet dropping -- for example, random early drop for quality of service support.

13.4.1.2 Octets

Counts the total number of octets (i.e. bytes) in any frames received.

13.4.1.3 BroadcastPkts

Counts the number of good frames received and forwarded with broadcast address.

Does not include non-broadcast multicast frames.

13.4.1.4 MulticastPkts

Counts the number of good frames received and forwarded with multicast address.

Does not include broadcast frames.

13.4.1.5 CRCAlignErrors

Frame size: ≥ 64 bytes, < 1522 bytes if VLAN tag (1518 if no VLAN)

No collisions:

Counts number of frames received with FCS or alignment errors

13.4.1.6 UndersizePkts

Counts number of frames received with size less than 64 bytes.

Frame size: < 64 bytes,

No FCS error

No framing error

No collisions

13.4.1.7 OversizePkts

Counts number of frames received with size exceeding the maximum allowable frame size.

Frame size: 1522 bytes if VLAN tag (1518 bytes if no VLAN)

FCS error don't care

Framing error don't care

No collisions

13.4.1.8 Fragments

Counts number of frames received with size less than 64 bytes and with bad FCS.

Frame size: < 64 bytes

Framing error don't care

No collisions

13.4.1.9 Jabbers

Counts number of frames received with size exceeding maximum frame size and with bad FCS.

Frame size: > 1522 bytes if VLAN tag (1518 bytes if no VLAN)

Framing error don't care

No collisions

13.4.1.10 Collisions

Counts number of collision events detected.

Only a best estimate since collisions can only be detected while in transmit mode, but not while in receive mode.

Frame size: any size

13.4.1.11 Packet Count for Different Size Groups

Six different size groups – one counter for each:

- Pkts64Octets for any packet with size = 64 bytes
- Pkts65to127Octets for any packet with size from 65 bytes to 127 bytes
- Pkts128to255Octets for any packet with size from 128 bytes to 255 bytes
- Pkts256to511Octets for any packet with size from 256 bytes to 511 bytes
- Pkts512to1023Octets for any packet with size from 512 bytes to 1023 bytes
- Pkts1024to1518Octets for any packet with size from 1024 bytes to 1518 bytes

Counts both good and bad packets.

13.5 Miscellaneous Counters

In addition to the statistics groups defined in previous sections, the ZL50418 has other statistics counters for its own purposes. We have two counters for flow control – one counting the number of flow control frames received and another counting the number of flow control frames sent. We also have two counters, one for unicast frames sent and one for non-unicast frames sent. A broadcast or multicast frame qualifies as non-unicast. Furthermore, we have a counter called “frame send fail.” This keeps track of FIFO under-runs, late collisions, and collisions that have occurred 16 times.

14.0 Register Definition

14.1 ZL50418 Register Description

Register	Description	CPU Addr (Hex)	R/W	I ² C Addr (Hex)	Default	Notes
0. ETHERNET Port Control Registers Substitute [N] with Port number (0..F,18..1A)						
ECR1P"N"	Port Control Register 1 for Port N	0000 + 2 x N	R/W	000-01A	020	
ECR2P"N"	Port Control Register 2 for Port N	001 + 2 x N	R/W	01B-035	000	
GGC	Extra GIGA bit control register	036	R/W	NA	000	
1. VLAN Control Registers Substitute [N] with Port number (0..F,18..1A)						
AVTCL	VLAN Type Code Register Low	100	R/W	036	000	
AVTCH	VLAN Type Code Register High	101	R/W	037	081	
PVMAP"N"_0	Port "N" Configuration Register 0	102 + 4N	R/W	038-052	0FF	
PVMAP"N"_1	Port "N" Configuration Register 1	103 + 4N	R/W	053-06D	0FF	
PVMAP"N"_3	Port "N" Configuration Register 3	105 + 4N	R/W	089-0A3	007	
PVMODE	VLAN Operating Mode	170	R/W	0A4	000	
PVROUTE7-0	VLAN Router Group Enable	171-178	R/W	NA	000	
2. TRUNK Control Registers						
TRUNK0_L	Trunk Group 0 Low	200	R/W	NA	000	
TRUNK0_M	Trunk Group 0 Medium	201	R/W	NA	000	
TRUNK0_MODE	Trunk Group 0 Mode	203	R/W	0A5	003	
TRUNK0_HASH0	Trunk Group 0 Hash 0 Destination Port	204	R/W	NA	000	
TRUNK0_HASH1	Trunk Group 0 Hash 1 Destination Port	205	R/W	NA	001	
TRUNK0_HASH2	Trunk Group 0 Hash 2 Destination Port	206	R/W	NA	002	
TRUNK0_HASH3	Trunk Group 0 Hash 3 Destination Port	207	R/W	NA	003	
TRUNK1_L	Trunk Group 1 Low	208	R/W	NA	000	
TRUNK1_M	Trunk Group 1 Medium	209	R/W	NA	000	
TRUNK1_MODE	Trunk Group 1 Mode	20B	R/W	0A6	003	

Register	Description	CPU Addr (Hex)	R/W	I ² C Addr (Hex)	Default	Notes
TRUNK1_HASH0	Trunk Group 1 Hash 0 Destination Port	20C	R/W	NA	004	
TRUNK1_HASH1	Trunk Group 1 Hash 1 Destination Port	20D	R/W	NA	005	
TRUNK1_HASH2	Trunk Group 1 Hash 2 Destination Port	20E	R/W	NA	006	
TRUNK1_HASH3	Trunk Group 1 Hash 3 Destination Port	20F	R/W	NA	007	
TRUNK2_MODE	Trunk Group 2 Mode	210	R/W	NA	003	
TRUNK2_HASH0	Trunk Group 2 Hash 0 Destination Port	211	R/W	NA	019	
TRUNK2_HASH1	Trunk Group 2 Hash 1 Destination Port	212	R/W	NA	01A	
Multicast_HASH0-0	Multicast hash result 0 mask byte 0	220	R/W	NA	OFF	
Multicast_HASH0-1	Multicast hash result 0 mask byte 1	221	R/W	NA	OFF	
Multicast_HASH0-2	Multicast hash result 0 mask byte 2	222	R/W	NA	OFF	
Multicast_HASH0-3	Multicast hash result 0 mask byte 3	223	R/W	NA	OFF	
Multicast_HASH1-0	Multicast hash result 1 mask byte 0	224	R/W	NA	OFF	
Multicast_HASH1-1	Multicast hash result 1 mask byte 1	225	R/W	NA	OFF	
Multicast_HASH1-2	Multicast hash result 1 mask byte 2	226	R/W	NA	OFF	
Multicast_HASH1-3	Multicast hash result 1 mask byte 3	227	R/W	NA	OFF	
Multicast_HASH2-0	Multicast hash result 2 mask byte 0	228	R/W	NA	OFF	
Multicast_HASH2-1	Multicast hash result 2 mask byte 1	229	R/W	NA	OFF	
Multicast_HASH2-2	Multicast hash result 2 mask byte 2	22A	R/W	NA	OFF	
Multicast_HASH2-3	Multicast hash result 2 mask byte 3	22B	R/W	NA	OFF	

Register	Description	CPU Addr (Hex)	R/W	I ² C Addr (Hex)	Default	Notes
Multicast_HASH3-0	Multicast hash result 3 mask byte 0	22C	R/W	NA	0FF	
Multicast_HASH3-1	Multicast hash result 3 mask byte 1	22D	R/W	NA	0FF	
Multicast_HASH3-2	Multicast hash result 3 mask byte 2	22E	R/W	NA	0FF	
Multicast_HASH3-3	Multicast hash result 3 mask byte 3	22F	R/W	NA	0FF	
3. CPU Port Configuration						
MAC0	CPU MAC Address byte 0	300	R/W	NA	000	
MAC1	CPU MAC Address byte 1	301	R/W	NA	000	
MAC2	CPU MAC Address byte 2	302	R/W	NA	000	
MAC3	CPU MAC Address byte 3	303	R/W	NA	000	
MAC4	CPU MAC Address byte 4	304	R/W	NA	000	
MAC5	CPU MAC Address byte 5	305	R/W	NA	000	
INT_MASK0	Interrupt Mask 0	306	R/W	NA	000	
INTP_MASK"N"	Interrupt Mask for MAC Port 2N, 2N+1	310+N (310-313)	R/W	NA	000	
RQS	Receive Queue Select	323	R/W	NA	000	
RQSS	Receive Queue Status	324	RO	NA	N/A	
TX_AGE	Transmission Queue Aging Time	325	R/W	0A7	008	
4. Search Engine Configurations						
AGETIME_LOW	MAC Address Aging Time Low	400	R/W	0A8	2M:05C/ 4M:02E	
AGETIME_HIGH	MAC Address Aging Time High	401	R/W	0A9	000	
V_AGETIME	VLAN to Port Aging Time	402	R/W	NA	0FF	
SE_OPMODE	Search Engine Operating Mode	403	R/W	NA	000	
SCAN	Scan control register	404	R/W	NA	000	
5. Buffer Control and QOS Control						
FCBAT	FCB Aging Timer	500	R/W	0AA	0FF	
QOSC	QOS Control	501	R/W	0AB	000	
FCR	Flooding Control Register	502	R/W	0AC	008	

Register	Description	CPU Addr (Hex)	R/W	I ² C Addr (Hex)	Default	Notes
AVPML	VLAN Priority Map Low	503	R/W	0AD	000	
AVPMM	VLAN Priority Map Middle	504	R/W	0AE	000	
AVPMH	VLAN Priority Map High	505	R/W	0AF	000	
TOSPML	TOS Priority Map Low	506	R/W	0B0	000	
TOSPMM	TOS Priority Map Middle	507	R/W	0B1	000	
TOSPMH	TOS Priority Map High	508	R/W	0B2	000	
AVDM	VLAN Discard Map	509	R/W	0B3	000	
TOSDML	TOS Discard Map	50A	R/W	0B4	000	
BMRC	Broadcast/Multicast Rate Control	50B	R/W	0B5	000	
UCC	Unicast Congestion Control	50C	R/W	0B6	2M:008/ 4M:010	
MCC	Multicast Congestion Control	50D	R/W	0B7	050	
PR100	Port Reservation for 10/100 Ports	50E	R/W	0B8	2M:024/ 4M:036	
PRG	Port Reservation for Giga Ports	50F	R/W	0B9	2M:035/ 4M:058	
SFCB	Share FCB Size	510	R/W	0BA	2M:014/ 4M:064	
C2RS	Class 2 Reserve Size	511	R/W	0BB	000	
C3RS	Class 3 Reserve Size	512	R/W	0BC	000	
C4RS	Class 4 Reserve Size	513	R/W	0BD	000	
C5RS	Class 5 Reserve Size	514	R/W	0BE	000	
C6RS	Class 6 Reserve Size	515	R/W	0BF	000	
C7RS	Class 7 Reserve Size	516	R/W	0C0	000	
QOSC"N"	QOS Control (N=0 - 5)	517- 51C	R/W	0C1-0C 6	000	
	QOS Control (N=6 - 11)	51D- 522	R/W	NA	000	
	QOS Control (N=12 - 23)	523- 52E	R/W	0C7-0D 2	000	
	QOS Control (N=24 - 59)	52F- 552	R/W	NA	000	
RDRC0	WRED Drop Rate Control 0	553	R/W	0FB	08F	
RDRC1	WRED Drop Rate Control 1	554	R/W	0FC	088	

Register	Description	CPU Addr (Hex)	R/W	I ² C Addr (Hex)	Default	Notes
USER_PORT"N"_LOW	User Define Logical Port "N" Low (N=0-7)	580 + 2N	R/W	0D6-0DD	000	
USER_PORT"N"_HIGH	User Define Logical Port "N" High	581 + 2N	R/W	0DE-0E5	000	
USER_PORT1:0_PRIORITY	User Define Logic Port 1 and 0 Priority	590	R/W	0E6	000	
USER_PORT3:2_PRIORITY	User Define Logic Port 3 and 2 Priority	591	R/W	0E7	000	
USER_PORT5:4_PRIORITY	User Define Logic Port 5 and 4 Priority	592	R/W	0E8	000	
USER_PORT7:6_PRIORITY	User Define Logic Port 7 and 6 Priority	593	R/W	0E9	000	
USER_PORT_ENABLE	User Define Logic Port Enable	594	R/W	0EA	000	
WLPP10	Well known Logic Port Priority for 1 and 0	595	R/W	0EB	000	
WLPP32	Well known Logic Port Priority for 3 and 2	596	R/W	0EC	000	
WLPP54	Well known Logic Port Priority for 5 and 4	597	R/W	0ED	000	
WLPP76	Well-known Logic Port Priority for 7 & 6	598	R/W	0EE	000	
WLPE	Well known Logic Port Enable	599	R/W	0EF	000	
RLOWL	User Define Range Low Bit 7:0	59A	R/W	0F4	000	
RLOWH	User Define Range Low Bit 15:8	59B	R/W	0F5	000	
RHIGHL	User Define Range High Bit 7:0	59C	R/W	0D3	000	
RHIGHH	User Define Range High Bit 15:8	59D	R/W	0D4	000	
RPRIORITY	User Define Range Priority	59E	R/W	0D5	000	
CPUQOSC1~3	Byte limit for TxQ on CPU port	5A0-5A2	R/W	NA	000	
6. MISC Configuration Registers						
MII_OP0	MII Register Option 0	600	R/W	0F0	000	
MII_OP1	MII Register Option 1	601	R/W	0F1	000	
FEN	Feature Registers	602	R/W	0F2	010	

Register	Description	CPU Addr (Hex)	R/W	I ² C Addr (Hex)	Default	Notes
MIIC0	MII Command Register 0	603	R/W	N/A	000	
MIIC1	MII Command Register 1	604	R/W	N/A	000	
MIIC2	MII Command Register 2	605	R/W	N/A	000	
MIIC3	MII Command Register 3	606	R/W	N/A	000	
MIID0	MII Data Register 0	607	RO	N/A	N/A	
MIID1	MII Data Register 1	608	RO	N/A	N/A	
LED	LED Control Register	609	R/W	0F3	000	
SUM	EEPROM Checksum Register	60B	R/W	0FF	000	
7. Port Mirroring Controls						
MIRROR1_SRC	Port Mirror 1 Source Port	700	R/W	N/A	07F	
MIRROR1_DEST	Port Mirror 1 Destination Port	701	R/W	N/A	017	
MIRROR2_SRC	Port Mirror 2 Source Port	702	R/W	N/A	0FF	
MIRROR2_DEST	Port Mirror 2 Destination Port	703	R/W	N/A	000	
F. Device Configuration Register						
GCR	Global Control Register	F00	R/W	N/A	000	
DCR	Device Status and Signature Register	F01	RO	N/A	N/A	
DCR1	Giga Port status	F02	RO	N/A	N/A	
DPST	Device Port Status Register	F03	R/W	N/A	000	
DTST	Data read back register	F04	RO	N/A	N/A	
DA	DA Register	FFF	RO	N/A	DA	

14.2 Directly Accessed Registers

14.2.1 INDEX_REG0

- Address bits [7:0] for indirectly accessed register addresses
- Address = 0 (write only)

14.2.2 INDEX_REG1 (only needed for 8-bit mode)

- Address bits [15:8] for indirectly accessed register addresses
- Address = 1 (write only)

14.2.3 DATA_FRAME_REG

- Data of indirectly accessed registers. (8 bits)
- Address = 2 (read/write)

14.2.4 CONTROL_FRAME_REG

- CPU transmit/receive switch frames. (8/16 bits)
- Address = 3 (read/write)
- Format:
 - Send frame from CPU: In sequence)
 - Frame Data (size should be in multiple of 8-byte)
 - 8-byte of Frame status (Frame size, Destination port #, Frame O.K. status)
 - CPU Received frame: In sequence)
 - 8-byte of Frame status (Frame size, Source port #, VLAN tag)
 - Frame Data

14.2.5 COMMAND&STATUS Register

- CPU interface commands (write) and status
- Address = 4 (read/write)
- When the CPU **writes** to this register

- Bit [0]: • Set Control Frame Receive buffer ready, after CPU writes a complete frame into the buffer. This bit is self-cleared.
- Bit [1]: • Set Control Frame Transmit buffer1 ready, after CPU reads out a complete frame from the buffer. This bit is self-cleared.
- Bit [2]: • Set Control Frame Transmit buffer2 ready, after CPU reads out a complete frame from the buffer. This bit is self-cleared.
- Bit [3]: • Set this bit to indicate CPU received a whole frame (transmit FIFO frame receive done), and flushed the rest of frame fragment, If occurs. This bit will be self-cleared.
- Bit [4]: • Set this bit to indicate that the following Write to the Receive FIFO is the last one (EOF). This bit will be self-cleared.

- Bit [5]: • Set this bit to re-start the data that is sent from the CPU to Receive FIFO (re-align). This feature can be used for software debug. For normal operation must be '0'.
- Bit [6]: • Do not use. Must be '0'
- Bit [7]: • Reserved

When the CPU reads this register:

- Bit [0]: • Control Frame receive buffer ready, CPU can write a new frame
 - 1 – CPU can write a new control command 1
 - 0 – CPU has to wait until this bit is 1 to write a new control command 1
- Bit [1]: • Control Frame transmit buffer1 ready for CPU to read
 - 1 – CPU can read a new control command 1
 - 0 – CPU has to wait until this bit is 1 to read a new control command
- Bit [2]: • Control Frame transmit buffer2 ready for CPU to read
 - 1 – CPU can read a new control command 1
 - 0 – CPU has to wait until this bit is 1 to read a new control command
- Bit [3]: • Transmit FIFO has data for CPU to read (TXFIFO_RDY)
- Bit [4]: • Receive FIFO has space for incoming CPU frame (RXFIFO_SPOK)
- Bit [5]: • Transmit FIFO End Of Frame (TXFIFO_EOF)
- Bit [6]: • Reserve
- Bit [7]: • Reserve

14.2.6 Interrupt Register

- Interrupt sources (8 bits)
- Address = 5 (read only)

When CPU **reads** this register

- Bit [0]: • CPU frame interrupt
- Bit [1]: • Control Frame 1 interrupt. Control Frame receive buffer1 has data for CPU to read
- Bit [2]: • Control Frame 2 interrupt. Control Frame receive buffer2 has data for CPU to read
- Bit [3]: • Gigabit port A interrupt
- Bit [4]: • Gigabit port B interrupt
- Bit [7:3]: • Reserve

Note: This register is not self-cleared. After reading CPU has to clear the bit writing 0 to it.

14.2.7 Control Command Frame Buffer1 Access Register

- Address = 6 (read/write)
- When CPU writes to this register, data is written to the Control Command Frame Receive Buffer
- When CPU reads this register, data is read from the Control Command Frame Transmit Buffer1

14.2.8 Control Command Frame Buffer2 Access Register

- Address = 7 (read only)
- When CPU reads this register, data is read from the Control Command Frame Transmit Buffer1

Indirectly Accessed Registers

14.3 (Group 0 Address) MAC Ports Group

14.3.1 ECR1Pn: Port N Control Register

I²C Address 000 - 01A; CPU Address:0000+2xN (N = port number)

Accessed by CPU, serial interface and I²C (R/W)

7	6	5	4	3	2	1	0
Sp State		A-FC		Port Mode			

- Bit [0]
- 1 - Flow Control Off
 - 0 - Flow Control On
 - When Flow Control On:
 - In half duplex mode the MAC transmitter applies back pressure for flow control.
 - In full duplex mode the MAC transmitter sends Flow Control frames when necessary. The MAC receiver interprets and processes incoming flow control frames. The Flow Control Frame Received counter is incremented whenever a flow control is received.
 - When Flow Control off:
 - In half duplex mode the MAC Transmitter does not assert flow control by sending flow control frames or jamming collision.
 - In full duplex mode the Mac transmitter does not send flow control frames. The MAC receiver does not interpret or process the flow control frames. The Flow Control Frame Received counter is not incremented.
- Bit [1]
- 1 - Half Duplex - Only in 10/100 mode
 - 0 - Full Duplex
- Bit [2]
- 1 - 10Mbps
 - 0 - 100Mbps

- Bit [4:3] - 00 – Automatic Enable Auto Neg. - This enables hardware state machine for auto-negotiation.
 - 01 - Limited Disable auto Neg. This disables hardware for speed auto-negotiation. Hardware Poll MII for link status.
 - 10 - Link Down. Force link down (disable the port).
 - 11 - Link Up. The configuration in ECR1[2:0] is used for (speed/half duplex/full duplex/flow control) setup.
- Bit [5] • Asymmetric Flow Control Enable.
 - 0 – Disable asymmetric flow control
 - 01 – Enable Asymmetric flow control
 - When this bit is set, and flow control is on (bit [0] = 0), don't send out a flow control frame. But MAC receiver interprets and processes flow control frames.
- Bit [7:6] • SS - Spanning tree state (802.1D spanning tree protocol) **Default is 11**.
 - 00 – Blocking: Frame is dropped
 - 01 - Listening: Frame is dropped
 - 10 - Learning: Frame is dropped. Source MAC address is learned.
 - 11 - Forwarding: Frame is forwarded. Source MAC address is learned.

14.3.2 ECR2Pn: Port N Control Register

I²C Address: 01B-035; CPU Address:0001+2xN (N = port number)

Accessed by CPU and serial interface (R/W)

7	6	5	4	3	2	1	0
Security En	QoS Sel	Reserve	DisL	Ftf	Futf		

- Bit [0]: • Filter untagged frame (**Default 0**)
 - 0: Disable
 - 1: All untagged frames from this port are discarded or follow security option when security is enable
- Bit [1]: • Filter Tag frame (**Default 0**)
 - 0: Disable
 - 1: All tagged frames from this port are discarded or follow security option when security is enable
- Bit [2]: • Learning Disable (**Default 0**)
 - 1 Learning is disabled on this port
 - 0 Learning is enabled on this port
- Bit [3]: • Must be '1'
- Bit [5:4]: • QOS mode selection (**Default 00**)
 • Determines which of the 4 sets of QoS settings is used for 10/100 ports.
 • Note that there are 4 sets of per-queue byte thresholds, and 4 sets of WFQ ratios programmed. These bits select among the 4 choices for each 10/100 port. Refer to QOS Application Note.
 • 00: select class byte limit set 0 and classes WFQ credit set 0
 • 01: select class byte limit set 1 and classes WFQ credit set 1
 • 10: select class byte limit set 2 and classes WFQ credit set 2
 • 11: select class byte limit set 3 and classes WFQ credit set 3

- Bit [7:6]
- Security Enable (**Default 00**). The ZL50418 checks the incoming data for one of the following conditions:
 1. If the source MAC address of the incoming packet is in the MAC table and is defined as secure address but the ingress port is not the same as the port associated with the MAC address in the MAC table.
A MAC address is defined as secure when its entry at MAC table has static status and bit 0 is set to 1. MAC address bit 0 (the first bit transmitted) indicates whether the address is unicast or multicast. As source addresses are always unicast bit 0 is not used (always 0). ZL50418 uses this bit to define secure MAC addresses.
 2. If the port is set as learning disable and the source MAC address of the incoming packet is not defined in the MAC address table.
 3. If the port is configured to filter untagged frames and an untagged frame arrives or if the port is configured to filter tagged frames and a tagged frame arrives.
If one of these three conditions occurs, the packet will be handled according to one of the following specified options:
 - CPU installed
 - 00 – Disable port security
 - 01 – Discard violating packets
 - 10 – Send packet to CPU and destination port
 - 11 – Send packet to CPU only

14.3.3 GGControl – Extra GIGA Port Control

- CPU Address:h036
- Accessed by CPU and serial interface (R/W)

7	6	5	4	3	2	1	0
DF		MiiB	RstA	DF		MiiA	RstA

- Bit [0]:
- Reset GIGA port A
 - 0: Normal operation (**default**)
 - 1: Reset Gigabit port A. Normally used when a new Phy is connected (Hot swap).
- Bit [1]:
- GIGA port A use MII interface (10/100 M)
 - 0: Gigabit port operations at 1000 mode (**default**)
 - 1: Gigabit port operations at 10/100 mode
- Bit [2]:
- Reserved - Must be zero
- Bit [3]:
- GIGA port A direct flow control (MAC to MAC connection). The ZL50418 supports direct flow control mechanism; the flow control frame is therefore not sent through the Gigabit port data path.
 - 0: Direct flow control disabled (**default**)
 - 1: Direct flow control enabled
- Bit [4]:
- Reset GIGA port B
 - 0: Normal operation (**default**)
 - 1: Reset Gigabit port B

- Bit [5]:
- GIGA port B use MII interface (10/100 M)
 - 0: Gigabit port operates at 1000 mode **(default)**
 - 1: Gigabit port operates at 10/100 mode
- Bit [6]:
- Reserved - Must be zero
- Bit [7]:
- GIGA port B direct flow control (MAC to MAC connection). ZL50418 supports direct flow control mechanism; the flow control frame is therefore not sent through the Gigabit port data path.
 - 0: Direct flow control disabled **(default)**
 - 1: Direct flow control enabled

14.4 (Group 1 Address) VLAN Group

14.4.1 AVTCL – VLAN Type Code Register Low

I²C Address 036; CPU Address:h100

Accessed by CPU, serial interface and I²C (R/W)

Bit [7:0]: VLANType_LOW: Lower 8 bits of the VLAN type code **(Default 00)**

14.4.2 AVTCH – VLAN Type Code Register High

I²C Address 037; CPU Address:h101

Accessed by CPU, serial interface and I²C (R/W)

Bit [7:0]: VLANType_HIGH: Upper 8 bits of the VLAN type code **(Default is 81)**

14.4.3 PVMAP00_0 – Port 00 Configuration Register 0

I²C Address 038, CPU Address:h102

Accessed by CPU, serial interface and I²C (R/W)

In Port Based VLAN Mode

Bit [7:0]: VLAN Mask for ports 7 to 0 **(Default FF)**

This register indicates the legal egress ports. A “1” on bit 7 means that the packet can be sent to port 7. A “0” on bit 7 means that any packet destined to port 7 will be discarded. This register works with registers 1, 2 and 3 to form a 27 bit mask to all egress ports.

In Tag based VLAN Mode

Bit [7:0]: PVID [7:0] **(Default is FF)**

This is the default VLAN tag. It works with configuration register PVMAP00_1 [7:5] [3:0] to form a default VLAN tag. If the received packet is untagged, then the packet is classified with the default VLAN tag. If the received packet has a VLAN ID of 0, then PVID is used to replace the packet’s VLAN ID.

14.4.4 PVMAP00_1 – Port 00 Configuration Register 1

I²C Address h53, CPU Address:h103

Accessed by CPU, serial interface and I²C (R/W)

In Port based VLAN Mode

Bit [7:0]: VLAN Mask for ports 15 to 8 **(Default is FF)**

In Tag based VLAN Mode

7	5	4	3	0
Unitag Port Priority		Ultrust	PVID	

Bit [3:0]: PVID [11:8] **(Default is F)**

- Bit [4]:
- **Untrusted Port. (Default is 1)**
 This register is used to change the VLAN priority field of a packet to a predetermined priority.
 - 1 : VLAN priority field is changed to Bit[7:5] at ingress port
 - 0 : Keep VLAN priority field

Bit [7:5]:

- **Untag Port Priority (Default 7)**

14.4.5 PVMAP00_3 – Port 00 Configuration Register 3

I²C Address h89, CPU Address:h105)

Accessed by CPU, serial interface and I²C (R/W)

In Port Based VLAN Mode

7	6	5	3	2	0
FP en	Drop	Default tx priority		VLAN Mask	

Bit [2:0]: VLAN Mask for ports 26 to 24 **(Default 7)**. Port 24 is the CPU port

Bit [5:3]: Default Transmit priority. Used when Bit[7]=1 **(Default 0)**

- 000 Transmit Priority Level 0 (Lowest)
- 001 Transmit Priority Level 1
- 010 Transmit Priority Level 2
- 011 Transmit Priority Level 3
- 100 Transmit Priority Level 4
- 101 Transmit Priority Level 5
- 110 Transmit Priority Level 6
- 111 Transmit Priority Level 7 (Highest)

- Bit [6]: Default Discard priority. Used when Bit[7]=1 (**Default 0**)
- 0 - Discard Priority Level 0 (Lowest)
 - 1 - Discard Priority Level 1(Highest)
- Bit [7]: Enable Fix Priority (**Default 0**)
- 0 Disable fix priority. All frames are analyzed. Transmit Priority and Discard Priority are based on VLAN Tag, TOS or Logical Port.
 - 1 Transmit Priority and Discard Priority are based on values programmed in bit [6:3]

In Tag-based VLAN Mode

- Bit [0]:
- Not used
- Bit [1]: Ingress Filter Enable (**Default 1**)
- 0 Disable Ingress Filter. Packets with VLAN not belonging to source port are forwarded, if destination port belongs to the VLAN. Symmetric VLAN.
 - 1 Enable Ingress Filter. Packets with VLAN not belonging to source port are filtered. Asymmetric VLAN.
- Bit [2]: Force untag out (VLAN tagging is based on 802.1q rule) (**Default 1**).
- 0 Disable (Default)
 - 1 Force untagged output
All packets transmitted from this port are untagged. This register is used when this port is connected to legacy equipment that does not support VLAN tagging.
- Bit [5:3]: Default Transmit priority. Used when Bit [7]=1 (**Default 0**)
- 000 Transmit Priority Level 0 (Lowest)
 - 001 Transmit Priority Level 1
 - 010 Transmit Priority Level 2
 - 011 Transmit Priority Level 3
 - 100 Transmit Priority Level 4
 - 101 Transmit Priority Level 5
 - 110 Transmit Priority Level 6
 - 111 Transmit Priority Level 7 (Highest)
- Bit [6]: Default Discard priority Used when Bit [7]=1 (**Default 0**)
- 0 Discard Priority Level 0 (Lowest)
 - 1 Discard Priority Level 1 (Highest)
- Bit [7]: Enable Fix Priority (**Default 0**)
- 0 Disable fix priority. All frames are analyzed. Transmit Priority and Discard Priority are based on VLAN Tag, TOS or Logical Port.
 - 1 Transmit Priority and Discard Priority are based on values programmed in bit [6:3]

14.5 Port Configuration Registers

PVMAP01_0,1,3 I²C Address h39,54,8A; CPU Address:h106, 107, 109

PVMAP02_0,1,3 I²C Address h3A, 55,8B; CPU Address:h10A, 10B, 10D

PVMAP03_0,1,3 I²C Address h3B,56,8C; CPU Address:h10E, 10F, 111

PVMAP04_0,1,3 I²C Address h3C,57,8D; CPU Address:h112, 113, 115

PVMAP05_0,1,3 I²C Address h3D,58,8E; CPU Address:h116, 117, 119

PVMAP06_0,1,3 I²C Address h3E,59,8F; CPU Address:h11A, 11B, 11D

PVMAP07_0,1,3 I²C Address h3F,5A,90; CPU Address:h11E, 11F, 121

PVMAP08_0,1,3 I²C Address h40,5B,91; CPU Address:h122, 123, 125

PVMAP09_0,1,3 I²C Address h41,5C,92; CPU Address:h126, 127, 129

PVMAP10_0,1,3 I²C Address h42,5D,93; CPU Address:h12A, 12B, 12D

PVMAP11_0,1,3 I²C Address h43,5E,94; CPU Address:h12E, 12F, 131

PVMAP12_0,1,3 I²C Address h44,5F,95; CPU Address:h132, 133, 135

PVMAP13_0,1,3 I²C Address h45,60,96; CPU Address:h136, 137, 139

PVMAP14_0,1,3 I²C Address h46,61,97; CPU Address:h13A, 13B, 13D

PVMAP15_0,1,3 I²C Address h47,62,98; CPU Address:h13E, 13F, 141

PVMAP24_0,1,3 I²C Address h50,6B,A1; CPU Address:h162, 163, 165 (CPU port)

PVMAP25_0,1,3 I²C Address h51,6C,A2; CPU Address:h166, 167, 169 (Gigabit port 1)

PVMAP26_0,1,3 I²C Address h52,6D,A3; CPU Address:h16A, 16B, 16D (Gigabit port 2)

14.5.1 PVMODE

I²C Address: h0A4, CPU Address:h170

Accessed by CPU, serial interface (R/W)

7	6	5	4	3	2	1	0
MAC05	MMA	STP	SM0	rPCS	DF	SL	Vmod

- Bit [0]:
- VLAN Mode (Default = 0)
 - 1 Tag based VLAN Mode
 - 0 Port based VLAN Mode
- Bit [1]:
- Slow learning (Default = 0)
 - Same function as SE_OP MODE bit 7. Either bit can enable the function; both need to be turned off to disable the feature.
- Bit [2]:
- Disable dropping of frames with destination MAC addresses 0180C2000001 to 0180C200000F (Default = 0)
 - 0: Drop all frames in this range
 - 1: Disable dropping of frames in this range

- Bit [3]:
 - Disable Reset PCS (Default = 0)
 - 0: Enable reset PCS. PCS FIFO will be reset when received a PCS symbol error.
 - 1: Disable reset PCS
- Bit [4]:
 - Support MAC address 0 (Default = 0)
 - 0: MAC address 0 is not learned.
 - 1: MAC address 0 is learned.
- Bit [5]:
 - Disable IEEE multicast control frame (0180C2000000 to 0180C20000FF) to CPU in managed mode (Default = 0)
 - 0: Packet is forwarded to CPU
 - 1: Packet is forwarded as multicast
- Bit [6]:
 - Multiple MAC addresses (Default = 0)
 - 0: Single MAC address is assigned to CPU. Registers MAC0 to MAC5 are used to program the CPU MAC address.
 - 1: One block of 32 MAC addresses are assigned to CPU. The block is defined in an increase way from the MAC address programmed in registers MAC0 to MAC5.
- Bit [7]:
 - Disable registers MAC 5 – 0 (CPU MAC address) in comparison with Ethernet frame destination MAC address. When disable, unicast frames are not forward to CPU. (Default = 0)
 - 1: Disable
 - 0: Enable

14.5.2 PVROUTE 0

Registers PVROUTE0 to PVROUTE7 allows the VLAN Index to be assigned an address of a router group. This feature is useful during IP Multicast mode when data is being sent to the VLAN group and no member of the group registers. By assigning a router group, the VLAN group always has a default address to handle the multicast traffic.

CPU Address:h171

Accessed by CPU, serial interface (R/W)

- Bit [0]:
 - VLAN Index 8'hC0 has router group and the router group is VLAN Index 8'h40
- Bit [1]:
 - VLAN Index 8'hC1 has router group and the router group is VLAN Index 8'h41
- Bit [2]:
 - VLAN Index 8'hC2 has router group and the router group is VLAN Index 8'h42
- Bit [3]:
 - VLAN Index 8'hC3 has router group and the router group is VLAN Index 8'h43
- Bit [4]:
 - VLAN Index 8'hC4 has router group and the router group is VLAN Index 8'h44
- Bit [5]:
 - VLAN Index 8'hC5 has router group and the router group is VLAN Index 8'h45
- Bit [6]:
 - VLAN Index 8'hC6 has router group and the router group is VLAN Index 8'h46
- Bit [7]:
 - VLAN Index 8'hC7 has router group and the router group is VLAN Index 8'h47

14.5.3 PVROUTE1

CPU Address:h172

Accessed by CPU, serial interface (R/W)

- Bit [0]: • VLAN Index 8'hC8 has router group and the router group is VLAN Index 8'h48
- Bit [1]: • VLAN Index 8'hC9 has router group and the router group is VLAN Index 8'h48
- Bit [2]: • VLAN Index 8'hCA has router group and the router group is VLAN Index 8'h4A
- Bit [3]: • VLAN Index 8'hCB has router group and the router group is VLAN Index 8'h4B
- Bit [4]: • VLAN Index 8'hCC has router group and the router group is VLAN Index 8'h4C
- Bit [5]: • VLAN Index 8'hCD has router group and the router group is VLAN Index 8'h4D
- Bit [6]: • VLAN Index 8'hCE has router group and the router group is VLAN Index 8'h4E
- Bit [7]: • VLAN Index 8'hCF has router group and the router group is VLAN Index 8'h4F

14.5.4 PVROUTE2

CPU Address:h173

Accessed by CPU, serial interface (R/W)

- Bit [0]: • VLAN Index 8'hD0 has router group and the router group is VLAN Index 8'h50
- Bit [1]: • VLAN Index 8'hD1 has router group and the router group is VLAN Index 8'h51
- Bit [2]: • VLAN Index 8'hD2 has router group and the router group is VLAN Index 8'h52
- Bit [3]: • VLAN Index 8'hD3 has router group and the router group is VLAN Index 8'h53
- Bit [4]: • VLAN Index 8'hD4 has router group and the router group is VLAN Index 8'h54
- Bit [5]: • VLAN Index 8'hD5 has router group and the router group is VLAN Index 8'h55
- Bit [6]: • VLAN Index 8'hD6 has router group and the router group is VLAN Index 8'h56
- Bit [7]: • VLAN Index 8'hD7 has router group and the router group is VLAN Index 8'h57

14.5.5 PVROUTE3

CPU Address:h174

Accessed by CPU, serial interface (R/W)

- Bit [0]: • VLAN Index 8'hD8 has router group and the router group is VLAN Index 8'h58
- Bit [1]: • VLAN Index 8'hD9 has router group and the router group is VLAN Index 8'h59
- Bit [2]: • VLAN Index 8'hDA has router group and the router group is VLAN Index 8'h5A
- Bit [3]: • VLAN Index 8'hDB has router group and the router group is VLAN Index 8'h5B
- Bit [4]: • VLAN Index 8'hDC has router group and the router group is VLAN Index 8'h5C
- Bit [5]: • VLAN Index 8'hDD has router group and the router group is VLAN Index 8'h5D

- Bit [6]: • VLAN Index 8'hDE has router group and the router group is VLAN Index 8'h5E
Bit [7]: • VLAN Index 8'hDF has router group and the router group is VLAN Index 8'h5F

14.5.6 PVROUTE4

CPU Address:h175

Accessed by CPU, serial interface (R/W)

- Bit [0]: • VLAN Index 8'hE0 has router group and the router group is VLAN Index 8'h60
Bit [1]: • VLAN Index 8'hE1 has router group and the router group is VLAN Index 8'h61
Bit [2]: • VLAN Index 8'hE2 has router group and the router group is VLAN Index 8'h62
Bit [3]: • VLAN Index 8'hE3 has router group and the router group is VLAN Index 8'h63
Bit [4]: • VLAN Index 8'hE4 has router group and the router group is VLAN Index 8'h64
Bit [5]: • VLAN Index 8'hE5 has router group and the router group is VLAN Index 8'h65
Bit [6]: • VLAN Index 8'hE6 has router group and the router group is VLAN Index 8'h66
Bit [7]: • VLAN Index 8'hE7 has router group and the router group is VLAN Index 8'h67

14.5.7 PVROUTE5

CPU Address:h176

Accessed by CPU, serial interface (R/W)

- Bit [0]: • VLAN Index 8'hE8 has router group and the router group is VLAN Index 8'h68
Bit [1]: • VLAN Index 8'hE9 has router group and the router group is VLAN Index 8'h69
Bit [2]: • VLAN Index 8'hEA has router group and the router group is VLAN Index 8'h6A
Bit [3]: • VLAN Index 8'hEB has router group and the router group is VLAN Index 8'h6B
Bit [4]: • VLAN Index 8'hEC has router group and the router group is VLAN Index 8'h6C
Bit [5]: • VLAN Index 8'hED has router group and the router group is VLAN Index 8'h6D
Bit [6]: • VLAN Index 8'hEE has router group and the router group is VLAN Index 8'h6E
Bit [7]: • VLAN Index 8'hEF has router group and the router group is VLAN Index 8'h6F

14.5.8 PVROUTE6

CPU Address:h177

Accessed by CPU, serial interface (R/W)

- Bit [0]: • VLAN Index 8'hF0 has router group and the router group is VLAN Index 8'h70
Bit [1]: • VLAN Index 8'hF1 has router group and the router group is VLAN Index 8'h71
Bit [2]: • VLAN Index 8'hF2 has router group and the router group is VLAN Index 8'h72

- Bit [3]: • VLAN Index 8'hF3 has router group and the router group is VLAN Index 8'h73
- Bit [4]: • VLAN Index 8'hF4 has router group and the router group is VLAN Index 8'h74
- Bit [5]: • VLAN Index 8'hF5 has router group and the router group is VLAN Index 8'h75
- Bit [6]: • VLAN Index 8'hF6 has router group and the router group is VLAN Index 8'h76
- Bit [7]: • VLAN Index 8'hF7 has router group and the router group is VLAN Index 8'h77

14.5.9 PVROUTE7

CPU Address:h178

Accessed by CPU, serial interface (R/W)

- Bit [0]: • VLAN Index 8'hF8 has router group and the router group is VLAN Index 8'h78
- Bit [1]: • VLAN Index 8'hF9 has router group and the router group is VLAN Index 8'h79
- Bit [2]: • VLAN Index 8'hFA has router group and the router group is VLAN Index 8'h7A
- Bit [3]: • VLAN Index 8'hFB has router group and the router group is VLAN Index 8'h7B
- Bit [4]: • VLAN Index 8'hFC has router group and the router group is VLAN Index 8'h7C
- Bit [5]: • VLAN Index 8'hFD has router group and the router group is VLAN Index 8'h7D
- Bit [6]: • VLAN Index 8'hFE has router group and the router group is VLAN Index 8'h7E
- Bit [7]: • VLAN Index 8'hFF has router group and the router group is VLAN Index 8'h7F

14.6 (Group 2 Address) Port Trunking Groups

Trunk Group 0 - Up to four 10/100 ports can be selected for trunk group 0.

14.6.1 TRUNK0_L – Trunk group 0 Low (Managed mode only)

CPU Address:h200

Accessed by CPU, serial interface (R/W)

Bit [7:0] Port7-0 bit map of trunk 0. (Default 00)

14.6.2 TRUNK0_M – Trunk group 0 Medium (Managed mode only)

CPU Address:h201

Accessed by CPU, serial interface (R/W)

Bit [7:0] Port15-8 bit map of trunk 0. (Default 00)

TRUNK0_M, and TRUNK0_L provide a trunk map for trunk0. If ports 0 and 2 are to be trunked together, bit 0 and bit 2 of TRUNK0_L are set to 1. All others are clear at “0” to indicate that they are not part of trunk0. Up to 4 ports can be selected for trunk group 0.

B	B	B	B
i	i	i	i
t	t	t	t
7	0	7	0
TRUNK0_M		TRUNK0_L	
P	P	P	P
o	o	o	o
r	r	r	r
t	t	t	t
15	8	7	0

14.6.3 TRUNK0_MODE– Trunk group 0 mode

I²C Address h0A5; CPU Address:203

Accessed by CPU, serial interface and I²C (R/W)

7	4	3	2	1	0
		Hash Select	Port Select		

- Bit [1:0]:
 - Port selection in unmanaged mode. Input pin TRUNK0 enable/disable trunk group 0 in unmanaged mode.
 - 00 Reserved
 - 01 Port 0 and 1 are used for trunk0
 - 10 Port 0,1 and 2 are used for trunk0
 - 11 Port 0,1,2 and 3 are used for trunk0

- Bit [3:2]
 - Hash Select. The Hash selected is valid for Trunk 0, 1 and 2. (Default 00)
 - 00 Use Source and Destination Mac Address for hashing
 - 01 Use Source Mac Address for hashing
 - 10 Use Destination Mac Address for hashing
 - 11 Use source destination MAC address and ingress physical port number for hashing

14.6.4 TRUNK0_HASH0 – Trunk group 0 hash result 0 destination port number

CPU Address:h204

Accessed by CPU, serial interface (R/W)

Bit [4:0] Hash result 0 destination port number (Default 00)

14.6.5 TRUNK0_HASH1 – Trunk group 0 hash result 1 destination port number

CPU Address:h205

Accessed by CPU, serial interface (R/W)

Bit [4:0] Hash result 1 destination port number (Default 01)

14.6.6 TRUNK0_HASH2 – Trunk group 0 hash result 2 destination port number

CPU Address:h206

Accessed by CPU, serial interface (R/W)

Bit [4:0] Hash result 2 destination port number (Default 02)

14.6.7 TRUNK0_HASH3 – Trunk group 0 hash result 3 destination port number

CPU Address:h207

Accessed by CPU, serial interface (R/W)

Bit [4:0] Hash result 3 destination port number (Default 03)

Trunk Group 1 - Up to four 10/100 ports can be selected for trunk group 1.**14.6.8 TRUNK1_L – Trunk group 1 Low (Managed mode only)**

Port selection for trunk group 1.

CPU Address:h208

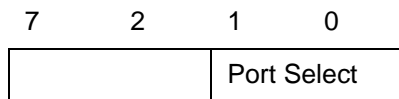
Accessed by CPU, serial interface (R/W)

14.6.9 TRUNK1_M – Trunk group 1 Medium Managed mode only)

CPU Address:h209

Accessed by CPU, serial interface (R/W)

Bit [7:0] Port15-8 bit map of trunk 1. (Default 00)

14.6.10 TRUNK1_MODE – Trunk group 1 modeI²C Address h0A6; CPU Address:20BAccessed by CPU, serial interface and I²C (R/W)

- Bit [1:0]:
- Port selection in unmanaged mode. Input pin TRUNK1 enable/disable trunk group 1 in unmanaged mode.
 - 00 Reserved
 - 01 Port 4 and 5 are used for trunk1
 - 10 Reserved
 - 11 Port 4,5,6 and 7 are used for trunk1

14.6.11 TRUNK1_HASH0 – Trunk group 1 hash result 0 destination port number

CPU Address:h20C

Accessed by CPU, serial interface (R/W)

Bit [4:0] Hash result 0 destination port number (Default 04)

14.6.12 TRUNK1_HASH1 – Trunk group 1 hash result 1 destination port number

CPU Address:h20D

Accessed by CPU, serial interface (R/W)

Bit [4:0] Hash result 1 destination port number (Default 05)

14.6.13 TRUNK1_HASH2 – Trunk group 1 hash result 2 destination port number

CPU Address:h20E

Accessed by CPU, serial interface (R/W)

Bit [4:0] Hash result 1 destination port number (Default 06)

14.6.14 TRUNK1_HASH3 – Trunk group 1 hash result 3 destination port number

CPU Address:h20F

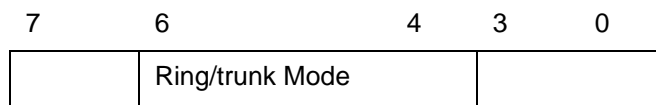
Accessed by CPU, serial interface (R/W)

Bit [4:0] Hash result 1 destination port number (Default 07)

Trunk Group 2**14.6.15 TRUNK2_MODE – Trunk group 2 mode (Gigabit ports 1 and 2)**

CPU Address:210

Accessed by CPU, serial interface (R/W)



Bit [3:0] - Reserved

Bit [6:4] - 000 Normal

- 001 Trunk Mode. Enable Trunk group for Gigabit port 1 and 2 in managed mode. In unmanaged mode Trunk 2 is enable/disable using input pin TRUNK2.

- 010 Single Ring with G1

- 100 Single Ring with G2

- 111 Dual Ring Mode

14.6.16 TRUNK2_HASH0 – Trunk group 2 hash result 0 destination port number

CPU Address:h211

Accessed by CPU, serial interface (R/W)

Bit [4:0] Hash result 0 destination port number (Default 0x19)

0x19 = Gigabit port 1

0x1A = Gigabit port 2

14.6.17 TRUNK2_HASH1 – Trunk group 2 hash result 1 destination port number

CPU Address:h211

Accessed by CPU, serial interface (R/W)

Bit [4:0] Hash result 1 destination port number (Default 0x1A)

0x19 = Gigabit port 1

0x1A = Gigabit port 2

14.6.18 Multicast Hash Registers

Multicast Hash registers are used to distribute multicast traffic. 16 registers are used to form a 4-entry array; each entry has 27 bits, with each bit representing one port. Any port not belonging to a trunk group should be programmed with 1. Ports belonging to the same trunk group should only have a single port set to “1” per entry. The port set to “1” is picked to transmit the multicast frame when the hash value is met.

Hash Value =0	HASH0_3	HASH0_2	HASH0_1	HASH0_0
Hash Value =1	HASH1_3	HASH1_2	HASH1_1	HASH1_0
Hash Value =2	HASH2_3	HASH2_2	HASH2_1	HASH2_0
Hash Value =3	HASH3_3	HASH3_2	HASH3_1	HASH3_0
	P	P	P	P P P
	o	o	o	o o o
	r	r	r	r r r
	t	t	t	t t t
	2	24	15	8 7 0
	6	C		
		P		
		U		

14.6.18.1 Multicast_HASH0-0 – Multicast hash result 0 mask byte 0

CPU Address:h220

Accessed by CPU, serial interface (R/W)

Bit [7:0] Default FF)

14.6.18.2 Multicast_HASH0-1 – Multicast hash result 0 mask byte 1

CPU Address:h221

Accessed by CPU, serial interface (R/W)

Bit [7:0] (Default FF)

14.6.18.3 Multicast_HASH0-3 – Multicast hash result 0 mask byte 3

CPU Address:h223

Accessed by CPU, serial interface (R/W)

Bit [7:0] (Default FF)

14.6.18.4 Multicast_HASH1-0 – Multicast hash result 1 mask byte 0

CPU Address:h224

Accessed by CPU, serial interface (R/W)

Bit [7:0] (Default FF)

14.6.18.5 Multicast_HASH1-1 – Multicast hash result 1 mask byte 1

CPU Address:h225

Accessed by CPU, serial interface (R/W)

Bit [7:0] (Default FF)

14.6.18.6 Multicast_HASH1-3 – Multicast hash result 1 mask byte 3

CPU Address:h227

Accessed by CPU, serial interface (R/W)

Bit [7:0] (Default FF)

14.6.18.7 Multicast_HASH2-0 – Multicast hash result 2 mask byte 0

CPU Address:h228

Accessed by CPU, serial interface (R/W)

Bit [7:0] (Default FF)

14.6.18.8 Multicast_HASH2-1 – Multicast hash result 2 mask byte 1

CPU Address:h229

Accessed by CPU, serial interface (R/W)

Bit [7:0] (Default FF)

14.6.18.9 Multicast_HASH2-3 – Multicast hash result 2 mask byte 3

CPU Address:h22B

Accessed by CPU, serial interface (R/W)

Bit [7:0] (Default FF)

14.6.18.10 Multicast_HASH3-0 – Multicast hash result 3 mask byte 0

CPU Address:h22C

Accessed by CPU, serial interface (R/W)

Bit [7:0] (Default FF)

14.6.18.11 Multicast_HASH3-1 – Multicast hash result 3 mask byte 1

CPU Address:h22D

Accessed by CPU, serial interface (R/W)

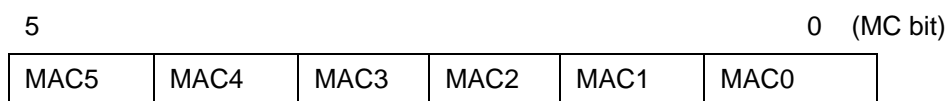
Bit [7:0] (Default FF)

14.6.18.12 Multicast_HASH3-3 – Multicast hash result 3 mask byte 3

CPU Address:h22F

Accessed by CPU, serial interface (R/W)

Bit [7:0] (Default FF)

14.7 (Group 3 Address) CPU Port Configuration Group

MAC5 to MAC0 registers form the CPU MAC address. When a packet with destination MAC address match MAC [5:0], the packet is forwarded to the CPU.

14.7.1 MAC0 – CPU Mac address byte 0

CPU Address:h300

Accessed by CPU

Bit [7:0] Byte 0 of the CPU MAC address. (Default 00)

14.7.2 MAC1 – CPU Mac address byte 1

CPU Address:h301

Accessed by CPU

Bit [7:0] Byte 1 of the CPU MAC address. (Default 00)

14.7.3 MAC2 – CPU Mac address byte 2

CPU Address:h302

Accessed by CPU

Bit [7:0] Byte 2 of the CPU MAC address. (Default 00)

14.7.4 MAC3 – CPU Mac address byte 3

CPU Address:h303

Accessed by CPU

Bit [7:0] Byte 3 of the CPU MAC address. (Default 00)

14.7.5 MAC4 – CPU Mac address byte 4

CPU Address:h304

Accessed by CPU

Bit [7:0] Byte 4 of the CPU MAC address. (Default 00)

14.7.6 MAC5 – CPU Mac address byte 5

CPU Address:h305

Accessed by CPU

Bit [7:0] Byte 5 of the CPU MAC address. (Default 00).

14.7.7 INT_MASK0 – Interrupt Mask 0

CPU Address:h306

Accessed by CPU, serial interface (R/W)

The CPU can dynamically mask the interrupt when it is busy and doesn't want to be interrupted. **(Default 0xFF)**

Bit [7:0] MASK

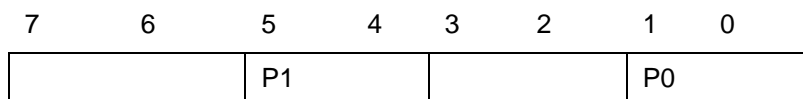
- 1: Mask the interrupt
- 0: Unmask the interrupt (Enable interrupt)

- Bit [0]: • CPU frame interrupt. CPU frame buffer has data for CPU to read
- Bit [1]: • Control Command 1 interrupt. Control Command Frame buffer1 has data for CPU to read
- Bit [2]: • Control Command 2 interrupt. Control command Frame buffer2 has data for CPU to read
- Bit [7:3]: • Reserved

14.7.8 INTP_MASK0 – Interrupt Mask for MAC Port 0,1

CPU Address:h310

Accessed by CPU, serial interface (R/W)

The CPU can dynamically mask the interrupt when it is busy and doesn't want to be interrupted (**Default 0xFF**)

- 1: Mask the interrupt
- 0: Unmask the interrupt

Bit [0]: Port 0 statistic counter wrap around interrupt mask. An Interrupt is generated when a statistic counter wraps around. Refer to hardware statistic counter for interrupt sources.

Bit [1]: Port 0 link change mask

Bit [4]: Port 1 statistic counter wrap around interrupt mask. Refer to hardware statistic counter for interrupt sources.

Bit [5]: Port 1 link change mask

14.7.9 INTP_MASK1 – Interrupt Mask for MAC Port 2,3

CPU Address:h311

Accessed by CPU, serial interface (R/W)

14.7.10 INTP_MASK2 – Interrupt Mask for MAC Port 4,5

CPU Address:h312

Accessed by CPU, serial interface (R/W)

14.7.11 INTP_MASK3 – Interrupt Mask for MAC Port 6,7

CPU Address:h313

Accessed by CPU, serial interface (R/W)

14.7.12 INTP_MASK4 – Interrupt Mask for MAC Port 8,9

CPU Address:h314

Accessed by CPU, serial interface (R/W)

14.7.13 INTP_MASK5 – Interrupt Mask for MAC Port 10,11

CPU Address:h315

Accessed by CPU, serial interface (R/W)

14.7.14 INTP_MASK6 – Interrupt Mask for MAC Port 12,13

CPU Address:h316

Accessed by CPU, serial interface (R/W)

14.7.15 INTP_MASK7 – Interrupt Mask for MAC Port 14,15

CPU Address:h317

Accessed by CPU, serial interface (R/W)

14.7.16 INTP_MASK12 – Interrupt Mask for MAC Port G1,G2

CPU Address:h31C

Accessed by CPU, serial interface (R/W)

14.7.17 RQS – Receive Queue Select CPU Address:h323

Accessed by CPU, serial interface (R/W)

Select which receive queue is used.

7	6	5	4	3	2	1	0
FQ3	FQ2	FQ1	FQ0	SQ3	SQ2	SQ1	SQ0

Bit [0]: Select Queue 0. If set to one, this queue may be scheduled to CPU port. If set to zero, this queue will be blocked. If multiple queues are selected, a strict priority will be applied. Q3> Q2> Q1> Q0. Same applies to bits [3:1]. See QoS Application Note for more information.

Bit [1]: Select Queue 1

Bit [2]: Select Queue 2

Bit [3]: Select Queue 3

Note: Strip priority applies between different selected queues (Q3>Q2>Q1>Q0)

Bit [4]: Enable flush Queue 0

Bit [5]: Enable flush Queue 1

Bit [6]: Enable flush Queue 2

Bit [7]: Enable flush Queue 3

When flush (drop frames) is enable, it starts when queue is too long or entry is too old. A queue is too long when it reaches WRED thresholds. Queue 0 is not subject to early drop. Packets in queue 0 are dropped only when the queue is too old. An entry is too old when it is older than the time programmed in the register TX_AGE [5:0]. CPU can dynamically program this register reading register RQSS [7:4].

14.7.18 RQSS – Receive Queue Status

CPU Address:h324

Accessed by CPU, serial interface (RO)

7	5	4	3	0			
LQ3	LQ2	LQ1	LQ0	NeQ3	NeQ2	NeQ1	NeQ0

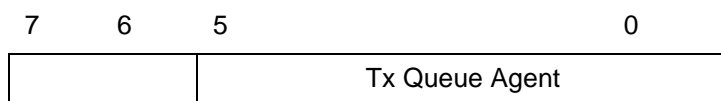
CPU receive queue status

- Bit [3:0]: Queue 3 to 0 not empty
- Bit [4]: Head of line entry for Queue 0 is valid for too long. CPU Queue 0 has no WRED threshold.
- Bit [7:5]: Head of line entry for Queue 3 to 1 is valid for too long or Queue length is longer than WRED threshold.

TX_AGE – Tx Queue Aging timer

I²C Address: h07;CPU Address:h324

Accessed by CPU, serial interface (RW)



- Bit [5:0]: Unit of 100ms (**Default 8**)

Disable transmission queue aging if value is zero. Aging timer for all ports and queues.

This register must be set to 0 for 'No Packet Loss Flow Control Test'.

14.8 (Group 4 Address) Search Engine Group

14.8.1 AGETIME_LOW – MAC address aging time Low

I²C Address h0A8; CPU Address:h400Accessed by CPU, serial interface and I²C (R/W)

The ZL50418 removes the MAC address from the data base and sends a Delete MAC Address Control Command to the CPU. MAC address aging is enable/disable by boot strap TSTOUT9.

Bit [7:0] Low byte of the MAC address aging timer.

14.8.2 AGETIME_HIGH –MAC address aging time High

I²C Address h0A9; CPU Address h401Accessed by CPU, serial interface and I²C (R/W)

Bit [7:0]: High byte of the MAC address aging timer.

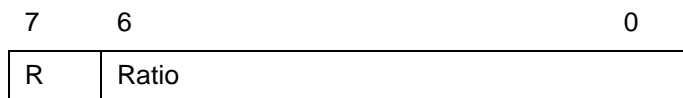
The default setting provide 300 seconds aging time. Aging time is based on the following equation:

{AGETIME_TIME,AGETIME_LOW} X (# of MAC entries in the memory X100μsec). Number of MAC entries = 32 K when 1 MB is used per Bank. Number of entries = 64 K when 2 MB is used per Bank.

14.8.3 +SCAN – SCAN Control Register (default 00)

CPU Address h404

Accessed by CPU (R/W)



SCAN is used when fast learning is enabled (SE_OPMODE bit 0). It is used for setting up the report rate for newly learned MAC addresses to the CPU.

- Bit [6:0]:
- Ratio between database scanning and aging round (Default 00)
- Bit [7]:
- Reverse the ratio between scanning round and aging round (Default 0)

Examples:

- R= 0, Ratio = 0: All rounds are used for aging. Never scan for new MAC addresses.
- R= 0, Ratio = 1: Aging and scanning in every other aging round
- R= 1, Ratio = 7: In eight rounds, one is used for scanning and seven are used for aging
- R= 0, Ratio = 7: In eight rounds, one is used for aging and seven are used for scanning

14.9 (Group 5 Address) Buffer Control/QOS Group

14.9.1 FCBAT – FCB Aging Timer

I²C Address h0AA; CPU Address:h500

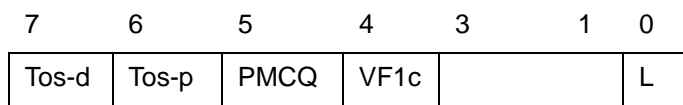


- Bit [7:0]:
- FCB Aging time. Unit of 1ms. (Default FF)
 - This is for buffer aging control. It is used to configure the buffer aging time. This function can be enabled/disabled through bootstrap pin. It is not suggested to use this function for normal operation.

14.9.2 QOSC – QOS Control

I²C Address h0AB; CPU Address:h501

Accessed by CPU, serial interface and I²C (R/W)



- Bit [0]:
- QoS frame lost is OK. Priority will be available for flow control enabled source only when this bit is set (Default 0)

- Bit [4]: • Per VLAN Multicast Flow Control (Default 0)
- 0 – Disable
 - 1 – Enable
- Bit [5]: • Select processor multicast queue size
- 0 = 16 entries
 - 1 = 64 entries
- Bit [6]: • Select TOS bits for Priority (Default 0)
- 0 – Use TOS [4:2] bits to map the transmit priority
 - 1 – Use TOS [7:5] bits to map the transmit priority
- Bit [7]: • Select TOS bits for Drop priority(Default 0)
- 0 – Use TOS [4:2] bits to map the drop priority
 - 1 – Use TOS [7:5] bits to map the drop priority

14.9.3 FCR – Flooding Control Register

I²C Address h0AC; CPU Address:h502

Accessed by CPU, serial interface and I²C (R/W)

7	6	4	3	0
Tos	TimeBase	U2MR		

- Bit [3:0]: • U2MR: Unicast to Multicast Rate. Units in terms of time base defined in bits [6:4]. This is used to limit the amount of flooding traffic. The value in U2MR specifies how many packets are allowed to flood within the time specified by bit [6:4]. To disable this function, program U2MR to 0. (Default = 8)
- Bit [6:4]: • Time Base: (Default = 000)
- **000 = 100 us**
 - **001 = 200 us**
 - **010 = 400 us**
 - **011 = 800 us**
 - **100 = 1.6 ms**
 - **101 = 3.2 ms**
 - **110 = 6.4 ms**
 - **111 = 100 us, same as 000.**
- Bit [7]: • Select VLAN tag or TOS (IP packets) to be preferentially picked to map transmit priority and drop priority (**Default = 0**).
- 0 – Select VLAN Tag priority field over TOS
 - 1 – Select TOS over VLAN tag priority field

14.9.4 AVPML – VLAN Tag Priority Map

I²C Address h0AD; CPU Address:h503

Accessed by CPU, serial interface and I²C (R/W)

7	6	5	3	2	0
VP2		VP1		VP0	

Registers AVPML, AVPMM, and AVPMH allow the eight VLAN Tag priorities to map into eight Internal level transmit priorities. Under the Internal transmit priority, seven is the highest priority where as zero is the lowest. This feature allows the user the flexibility of redefining the VLAN priority field. For example, programming a value of 7 into bit 2:0 of the AVPML register would map packet VLAN priority 0 into Internal transmit priority 7. The new priority is used inside the ZL50418. When the packet goes out it carries the original priority.

- Bit [2:0]: Priority when the VLAN tag priority field is 0 (**Default 0**)
- Bit [5:3]: Priority when the VLAN tag priority field is 1 (**Default 0**)
- Bit [7:6]: Priority when the VLAN tag priority field is 2 (**Default 0**)

14.9.5 AVPMM – VLAN Priority Map

I²C Address h0AE, CPU Address:h504

Accessed by CPU, serial interface and I²C (R/W)

Map VLAN priority into eight level transmit priorities:

7	6	4	3	1	0
VP5	VP4		VP3		VP2

- Bit [0]: Priority when the VLAN tag priority field is 2 (**Default 0**)
- Bit [3:1]: Priority when the VLAN tag priority field is 3 (**Default 0**)
- Bit [6:4]: Priority when the VLAN tag priority field is 4 (**Default 0**)
- Bit [7]: Priority when the VLAN tag priority field is 5 (**Default 0**)

14.9.6 AVPMH – VLAN Priority Map

I²C Address h0AF, CPU Address:h505

Accessed by CPU, serial interface and I²C (R/W)

7	5	4	2	1	0
VP7		VP6		VP5	

Map VLAN priority into eight level transmit priorities:

- Bit [1:0]: Priority when the VLAN tag priority field is 5 **(Default 0)**
- Bit [4:2]: Priority when the VLAN tag priority field is 6 **(Default 0)**
- Bit [7:5]: Priority when the VLAN tag priority field is 7 **(Default 0)**

14.9.7 TOSPML – TOS Priority Map

I²C Address h0B0, CPU Address:h506

Accessed by CPU, serial interface and I²C (R/W)

7	6	5	3	2	0
TP2		TP1		TP0	

Map TOS field in IP packet into eight level transmit priorities

- Bit [2:0]: Priority when the TOS field is 0 **(Default 0)**
- Bit [5:3]: Priority when the TOS field is 1 **(Default 0)**
- Bit [7:6]: Priority when the TOS field is 2 **(Default 0)**

14.9.8 TOSPM – TOS Priority Map

I²C Address h0B1, CPU Address:h507

Accessed by CPU, serial interface and I²C (R/W)

7	6	4	3	1	0
TP5	TP4		TP3		TP2

Map TOS field in IP packet into eight level transmit priorities

- Bit [0]: Priority when the TOS field is 2 **(Default 0)**
- Bit [3:1]: Priority when the TOS field is 3 **(Default 0)**
- Bit [6:4]: Priority when the TOS field is 4 **(Default 0)**
- Bit [7]: Priority when the TOS field is 5 **(Default 0)**

14.9.9 TOSPMH – TOS Priority Map

I²C Address h0B2, CPU Address:h508

Accessed by CPU, serial interface and I²C (R/W)

7	5	4	2	1	0
TP7		TP6		TP5	

Map TOS field in IP packet into eight level transmit priorities:

- Bit [1:0]: Priority when the TOS field is 5 (**Default 0**)
- Bit [4:2]: Priority when the TOS field is 6 (**Default 0**)
- Bit [7:5]: Priority when the TOS field is 7 (**Default 0**)

14.9.10 AVDM – VLAN Discard Map

I²C Address h0B3, CPU Address:h509

Accessed by CPU, serial interface and I²C (R/W)

7	6	5	4	3	2	1	0
FDV7	FDV6	FDV5	FDV4	FDV3	FDV2	FDV1	FDV0

Map VLAN priority into frame discard when low priority buffer usage is above threshold

- Bit [0]: Frame drop priority when VLAN Tag priority field is 0 (**Default 0**)
- Bit [1]: Frame drop priority when VLAN Tag priority field is 1 (**Default 0**)
- Bit [2]: Frame drop priority when VLAN Tag priority field is 2 (**Default 0**)
- Bit [3]: Frame drop priority when VLAN Tag priority field is 3 (**Default 0**)
- Bit [4]: Frame drop priority when VLAN Tag priority field is 4 (**Default 0**)
- Bit [5]: Frame drop priority when VLAN Tag priority field is 5 (**Default 0**)
- Bit [6]: Frame drop priority when VLAN Tag priority field is 6 (**Default 0**)
- Bit [7]: Frame drop priority when VLAN Tag priority field is 7 (**Default 0**)

14.9.11 TOSDML – TOS Discard Map

I²C Address h0B4, CPU Address:h50A

Accessed by CPU, serial interface and I²C (R/W)

7	6	5	4	3	2	1	0
FDT7	FDT6	FDT5	FDT4	FDT3	FDT2	FDT1	FDT0

Map TOS into frame discard when low priority buffer usage is above threshold

- Bit [0]: Frame drop priority when TOS field is 0 (**Default 0**)
- Bit [1]: Frame drop priority when TOS field is 1 (**Default 0**)
- Bit [2]: Frame drop priority when TOS field is 2 (**Default 0**)
- Bit [3]: Frame drop priority when TOS field is 3 (**Default 0**)
- Bit [4]: Frame drop priority when TOS field is 4 (**Default 0**)

Bit [5]: Frame drop priority when TOS field is 5 (**Default 0**)

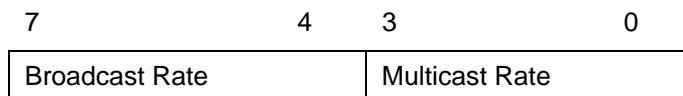
Bit [6]: Frame drop priority when TOS field is 6 (**Default 0**)

Bit [7]: Frame drop priority when TOS field is 7 (**Default 0**)

14.9.12 BMRC - Broadcast/Multicast Rate Control

I²C Address h0B5, CPU Address:h50B)

Accessed by CPU, serial interface and I²C (R/W)



This broadcast and multicast rate defines for each port, the number of packets allowed to be forwarded within a specified time. Once the packet rate is reached, packets will be dropped. To turn off the rate limit, program the field to 0. Time base is based on register FCR [6:4]

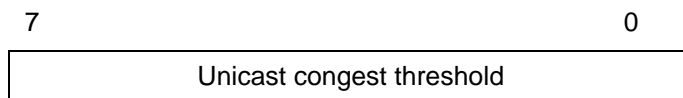
Bit [3:0]: Multicast Rate Control. Number of multicast packets allowed within the time defined in bits 6 to 4 of the Flooding Control Register (FCR). (**Default 0**).

Bit [7:4]: Broadcast Rate Control. Number of broadcast packets allowed within the time defined in bits 6 to 4 of the Flooding Control Register (FCR). (**Default 0**)

14.9.13 UCC – Unicast Congestion Control

I²C Address h0B6, CPU Address: 50C

Accessed by CPU, serial interface and I²C (R/W)

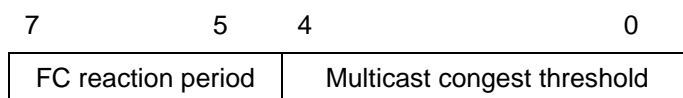


Bit [7:0]: Number of frame count. Used for best effort dropping at B% when destination port's best effort queue reaches UCC threshold and shared pool is all in use. Granularity 1 frame. (Default: h10 for 2 MB/bank or h08 for 1 MB/bank)

14.9.14 MCC – Multicast Congestion Control

I²C Address h0B7, CPU Address: 50D

Accessed by CPU, serial interface and I²C (R/W)



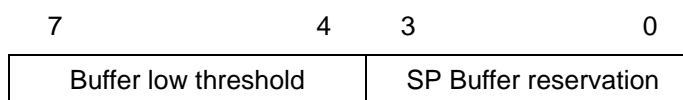
Bit [4:0]: In multiples of two frames (granularity). Used for triggering MC flow control when destination port's multicast best effort queue reaches MCC threshold.(Default 0x10)

Bit [7:5]: Flow control reaction period (Default 2) Granularity 4 uSec.

14.9.15 PR100 – Port Reservation for 10/100 ports

I²C Address h0B8, CPU Address 50E

Accessed by CPU, serial interface and I²C (R/W)



Bit [3:0]: Per source port buffer reservation.
Define the space in the FDB reserved for each 10/100 port and CPU. Expressed in multiples of 4 packets. For each packet 1536 bytes are reserved in the memory.

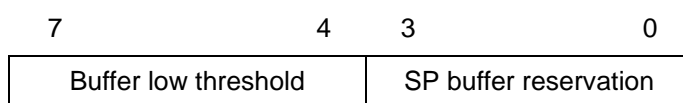
Bits [7:4]: Expressed in multiples of 4 packets. Threshold for dropping all best effort frames when destination port best efforts queues reaches UCC threshold, shared pool is all used and source port reservation is at or below the PR100[7:4] level. Also the threshold for initiating UC flow control.

- Default:
 - h36 for 16+2 configuration with memory 2 MB/bank;
 - h24 for 16+2 configuration with 1 MB/bank;

14.9.16 PRG – Port Reservation for Giga ports

I²C Address h0B9, CPU Address 50F

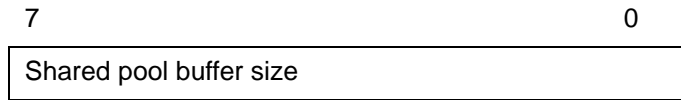
Accessed by CPU, serial interface and I²C (R/W)



Bit [3:0]: Per source port buffer reservation.
Define the space in the FDB reserved for each Gigabit port. Expressed in multiples of 16 packets. For each packet 1536 bytes are reserved in the memory.

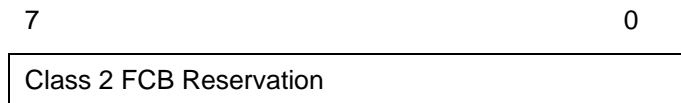
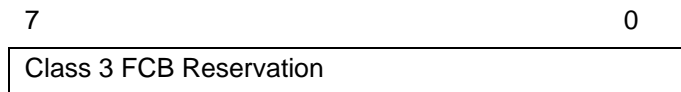
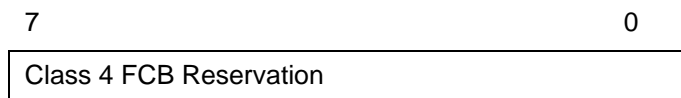
Bits [7:4]: Expressed in multiples of 16 packets. Threshold for dropping all best effort frames when destination port best effort queues reach UCC threshold, shared pool is all used and source port reservation is at or below the PRG[7:4] level. Also the threshold for initiating UC flow control.

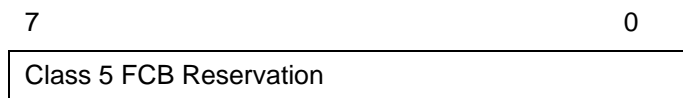
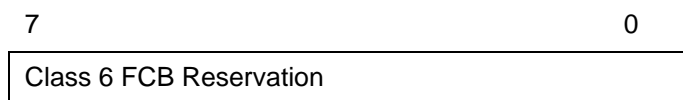
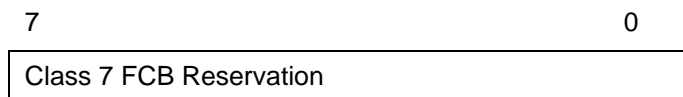
- Default:
 - H58 for memory 2 MB/bank;
 - H35 for 1 MB/bank;

14.9.17 SFCB – Share FCB SizeI²C Address h0BA), CPU Address 510Accessed by CPU, serial interface and I²C (R/W)

Bits [7:0]: Expressed in multiples of 4 packets. Buffer reservation for shared pool.

- Default:
 - h64 for 16+2 configuration with memory of 2 MB/bank;
 - h14 for 16+2 configuration with memory of 1 MB/bank;

14.9.18 C2RS – Class 2 Reserve SizeI²C Address h0BB, CPU Address 511Accessed by CPU, serial interface and I²C (R/W)Buffer reservation for class 2 (third lowest priority). Granularity 1. **(Default 0)****14.9.19 C3RS – Class 3 Reserve Size**I²C Address h0BC, CPU Address 512Accessed by CPU, serial interface and I²C (R/W)Buffer reservation for class 3. Granularity 1. **(Default 0)****14.9.20 C4RS – Class 4 Reserve Size**I²C Address h0BD, CPU Address 513Accessed by CPU, serial interface and I²C (R/W)Buffer reservation for class 4. Granularity 1. **(Default 0)**

14.9.21 C5RS – Class 5 Reserve SizeI²C Address h0BE; CPU Address 514Accessed by CPU, serial interface and I²C (R/W)Buffer reservation for class 5. Granularity 1. **(Default 0)****14.9.22 C6RS – Class 6 Reserve Size**I²C Address h0BF; CPU Address 515Accessed by CPU, serial interface and I²C (R/W)Buffer reservation for class 6 (second highest priority). Granularity 1. **(Default 0)****14.9.23 C7RS – Class 7 Reserve Size**I²C Address h0C0; CPU Address 516Accessed by CPU, serial interface and I²C (R/W)Buffer reservation for class 7 (highest priority). Granularity 1. **(Default 0)****14.9.24 QOSCn - Classes Byte Limit Set 0**Accessed by CPU; serial interface and I²C (R/W):

- C — QOSC00 – BYTE_C01 (I²C Address h0C1, CPU Address 517)
- B — QOSC01 – BYTE_C02 (I²C Address h0C2, CPU Address 518)
- A — QOSC02 – BYTE_C03 (I²C Address h0C3, CPU Address 519)

QOSC00 through QOSC02 represents one set of values A-C for a 10/100 port when using the Weighted Random Early Drop (WRED) Scheme described in Chapter 7. There are four such sets of values A-C specified in Classes Byte Limit Set 0, 1, 2, and 3. For CPU port A-C values are defined using register CPUQOSC1, 2 and 3.

Each 10/ 100 port can choose one of the four Byte Limit Sets as specified by the QoS Select field located in bits 5 to 4 of the ECR2n register. The values A-C are per-queue byte thresholds for random early drop. QOSC02 represents A, and QOSC00 represents C.

Granularity when Delay bound is used: QOSC02: 128 bytes, QOSC01: 256 bytes, QOSC00: 512 bytes. Granularity when WFQ is used: QOSC02: 512 bytes, QOSC01: 512 bytes, QOSC00: 512 bytes.

14.9.25 Classes Byte Limit Set 1

Accessed by CPU, serial interface and I²C (R/W):

- C - QOSC03 – BYTE_C11 (I²C Address h0C4, CPU Address 51a)
- B - QOSC04 – BYTE_C12 (I²C Address h0C5, CPU Address 51b)
- A - QOSC05 – BYTE_C13 (I²C Address h0C6, CPU Address 51c)

QOSC03 through QOSC05 represents one set of values A-C for a 10/100 port when using the Weighted Random Early Drop (WRED) scheme.

Granularity when Delay bound is used: QOSC05: 128 bytes, QOSC04: 256 bytes, QOSC03: 512 bytes. Granularity when WFQ is used: QOSC05: 512 bytes, QOSC04: 512 bytes, QOSC03: 512 bytes.

14.9.26 Classes Byte Limit Set 2

Accessed by CPU and serial interface (R/W):

- C - QOSC06 – BYTE_C21 (CPU Address 51d)
- B - QOSC07 – BYTE_C22 (CPU Address 51e)
- A - QOSC08 – BYTE_C23 (CPU Address 51f)

QOSC06 through QOSC08 represents one set of values A-C for a 10/100 port when using the Weighted Random Early Drop (WRED) scheme.

Granularity when Delay bound is used: QOSC08: 128 bytes, QOSC07: 256 bytes, QOSC06: 512 bytes.

Granularity when WFQ is used: QOSC08: 512 bytes, QOSC07: 512 bytes, QOSC06: 512 bytes

14.9.27 Classes Byte Limit Set 3

Accessed by CPU and serial interface (R/W):

- C - QOSC09 – BYTE_C31 (CPU Address 520)
- B - QOSC10 – BYTE_C32 (CPU Address 521)
- A - QOSC11 – BYTE_C33 (CPU Address 522)

QOSC09 through QOSC011 represents one set of values A-C for a 10/100 port when using the Weighted Random Early Drop (WRED) scheme.

Granularity when Delay bound is used: QOSC11: 128 bytes, QOSC10: 256 bytes, QOSC09: 512 bytes.

Granularity when WFQ is used: QOSC11: 512 bytes, QOSC10: 512 bytes, QOSC09: 512 bytes

14.9.28 Classes Byte Limit Giga Port 1

Accessed by CPU, serial interface and I²C (R/W):

- F - QOSC12 – BYTE_C2_G1 (I²C Address h0C7, CPU Address 523)
- E - QOSC13 – BYTE_C3_G1 (I²C Address h0C8, CPU Address 524)
- D - QOSC14 – BYTE_C4_G1 (I²C Address h0C9, CPU Address 525)
- C - QOSC15 – BYTE_C5_G1 (I²C Address h0CA, CPU Address 526)
- B - QOSC16 – BYTE_C6_G1 (I²C Address h0CB, CPU Address 527)
- A - QOSC17 – BYTE_C7_G1 (I²C Address h0CC, CPU Address 528)

QOSC12 through QOSC17 represent the values A-F for Gigabit port 1. They are per-queue byte thresholds for random early drop. QOSC17 represents A and QOSC12 represents F.

Granularity when Delay bound is used: QOSC17 and QOSC16: 256 bytes, QOSC15 and QOSC14: 512 bytes, QOSC13 and QOSC12: 1024 bytes.

Granularity when WFQ is used: QOSC17 to QOSC12: 1024 bytes

14.9.29 Classes Byte Limit Giga Port 2

Accessed by CPU, serial interface and I²C (R/W)

- F - QOSC18 – BYTE_C2_G2 (I²C Address h0CD, CPU Address 529)
- E - QOSC19 – BYTE_C3_G2 (I²C Address h0CE, CPU Address 52a)
- D - QOSC20 – BYTE_C4_G2 (I²C Address h0CF, CPU Address 52b)
- C - QOSC21 – BYTE_C5_G2 (I²C Address h0D0, CPU Address 52c)
- B - QOSC22 – BYTE_C6_G2 (I²C Address h0D1, CPU Address 52d)
- A - QOSC23 – BYTE_C7_G2 (I²C Address h0D2, CPU Address 52e)

QOSC12 through QOSC17 represent the values A-F for Gigabit port 2. They are per-queue byte thresholds for random early drop. QOSC17 represents A, and QOSC12 represents F.

Granularity when Delay bound is used: QOSC17 and QOSC16: 256 bytes, QOSC15 and QOSC14: 512 bytes, QOSC13 and QOSC12: 1024 bytes.

Granularity when WFQ is used: QOSC17 to QOSC12: 1024 bytes

14.9.30 Classes WFQ Credit Set 0

Accessed by CPU and serial interface

- W0 - QOSC24[5:0] – CREDIT_C00 (CPU Address 52f)
- W1 - QOSC25[5:0] – CREDIT_C01 (CPU Address 530)
- W2 - QOSC26[5:0] – CREDIT_C02 (CPU Address 531)
- W3 - QOSC27[5:0] – CREDIT_C03 (CPU Address 532)

QOSC24 through QOSC27 represents one set of WFQ parameters for a 10/100 port. There are four such sets of values. The granularity of the numbers is 1, and their sum must be 64. QOSC27 corresponds to W3 and QOSC24 corresponds to W0.

QOSC24[7:6]: Priority service type for the ports select this parameter set. Option 1 to option 4.

QOSC25[7]: Priority service allow flow control for the ports select this parameter set.

QOSC25[6]: Flow control pause best effort traffic only

Both flow control allow and flow control best effort only can take effect only the priority type is WFQ.

14.9.31 Classes WFQ Credit Set 1

Accessed by CPU and serial interface

- W0 - QOSC28[5:0] – CREDIT_C10 (CPU Address 533)
- W1 - QOSC29[5:0] – CREDIT_C11 (CPU Address 534)
- W2 - QOSC30[5:0] – CREDIT_C12 (CPU Address 535)
- W3 - QOSC31[5:0] – CREDIT_C13 (CPU Address 536)

QOSC28 through QOSC31 represents one set of WFQ parameters for a 10/100 port. There are four such sets of values. The granularity of the numbers is 1, and their sum must be 64. QOSC31 corresponds to W3 and QOSC28 corresponds to W0.

QOSC28[7:6]: Priority service type for the ports select this parameter set. Option 1 to option 4.

QOSC29[7]: Priority service allow flow control for the ports select this parameter set.

QOSC29[6]: Flow control pause best effort traffic only

14.9.32 Classes WFQ Credit Set 2

Accessed by CPU and serial interface

- W0 - QOSC32[5:0] – CREDIT_C20 (CPU Address 537)
- W1 - QOSC33[5:0] – CREDIT_C21 (CPU Address 538)
- W2 - QOSC34[5:0] – CREDIT_C22 (CPU Address 539)
- W3 - QOSC35[5:0] – CREDIT_C23 (CPU Address 53a)

QOSC35 through QOSC32 represents one set of WFQ parameters for a 10/100 port. There are four such sets of values. The granularity of the numbers is 1 and their sum must be 64. QOSC35 corresponds to W3, and QOSC32 corresponds to W0.

QOSC32[7:6]: Priority service type for the ports select this parameter set. Option 1 to option 4.

QOSC33[7]: Priority service allow flow control for the ports select this parameter set.

QOSC33[6]: Flow control pause for best effort traffic only

14.9.33 Classes WFQ Credit Set 3

Accessed by CPU and serial interface

- W0 - QOSC36[5:0] – CREDIT_C30 (CPU Address 53b)
- W1 - QOSC37[5:0] – CREDIT_C31 (CPU Address 53c)
- W2 - QOSC38[5:0] – CREDIT_C32 (CPU Address 53d)
- W3 - QOSC39[5:0] – CREDIT_C33 (CPU Address 53e)

QOSC39 through QOSC36 represents one set of WFQ parameters for a 10/100 port. There are four such sets of values. The granularity of the numbers is 1 and their sum must be 64. QOSC39 corresponds to W3, and QOSC36 corresponds to W0.

QOSC36[7:6]: Priority service type for the ports select this parameter set. Option 1 to option 4.

QOSC37[7]: Priority service allow flow control for the ports select this parameter set.

QOSC37[6]: Flow control pause best effort traffic only

14.9.34 Classes WFQ Credit Port G1

Accessed by CPU and serial interface

- W0 - QOSC40[5:0] - CREDIT_C0_G1 (CPU Address 53f)
[7:6]: Priority service type. Option 1 to 4.
- W1 - QOSC41[5:0] – CREDIT_C1_G1 (CPU Address 540)
[7]: Priority service allow flow control for the ports select this parameter set.
[6]: Flow control pause best effort traffic only
- W2 - QOSC42[5:0] – CREDIT_C2_G1 (CPU Address 541)
- W3 - QOSC43[5:0] – CREDIT_C3_G1 (CPU Address 542)
- W4 - QOSC44[5:0] – CREDIT_C4_G1 (CPU Address 543)

- W5 - QOSC45[5:0] – CREDIT_C5_G1 (CPU Address 544)
- W6 - QOSC46[5:0] – CREDIT_C6_G1 (CPU Address 545)
- W7 - QOSC47[5:0] – CREDIT_C7_G1 (CPU Address 546)

QOSC40 through QOSC47 represents the set of WFQ parameters for Gigabit port 24. The granularity of the numbers is 1 and their sum must be 64. QOSC47 corresponds to W7, and QOSC40 corresponds to W0.

14.9.35 Classes WFQ Credit Port G2

Accessed by CPU and serial interface

- W0 - QOSC48[5:0] – CREDIT_C0_G2(CPU Address 547)
[7:6]: Priority service type. Option 1 to 4
- W1 - QOSC49[5:0] – CREDIT_C1_G2(CPU Address 548)
[7]: Priority service allow flow control for the ports select this parameter set.
[6]: Flow control pause best effort traffic only
- W2 - QOSC50[5:0] – CREDIT_C2_G2(CPU Address 549)
- W3 - QOSC51[5:0] – CREDIT_C3_G2(CPU Address 54a)
- W4 - QOSC52[5:0] – CREDIT_C4_G2(CPU Address 54b)
- W5 - QOSC53[5:0] – CREDIT_C5_G2(CPU Address 54c)
- W6 - QOSC54[5:0] – CREDIT_C6_G2(CPU Address 54d)
- W7 - QOSC55[5:0] – CREDIT_C7_G2(CPU Address 54e)

QOSC48 through QOSC55 represents the set of WFQ parameters for Gigabit port 2. The granularity of the numbers is 1 and their sum must be 64. QOSC55 corresponds to W7 and QOSC48 corresponds to W0.

14.9.36 Class 6 Shaper Control Port G1

Accessed by CPU and serial interface

QOSC56[5:0] – TOKEN_RATE_G1 (CPU Address 54f). Programs de average rate for gigabit port 1. When equal to 0, shaper is disable. Granularity is 1.

QOSC57[7:0] – TOKEN_LIMIT_G1 (CPU Address 550). Programs the maximum counter for gigabit port 1. Granularity is 16 bytes.

Shaper is implemented to control the peak and average rate for outgoing traffic with priority 6 (queue 6). Shaper is limited to gigabit ports and queue P6 when it is in strict priority. QOSC41 programs the peak rate for gigabit port 1. See Programming QoS Registers Application Note for more information

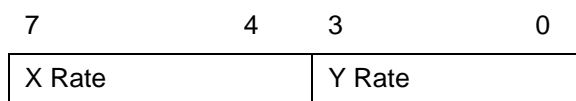
14.9.37 Class 6 Shaper Control Port G2

Accessed by CPU and serial interface

QOSC58[5:0] – TOKEN_RATE_G2 (CPU Address 551). Programs de average rate for gigabit port 2. When equal to 0, shaper is disable. Granularity is 1.

QOSC59[7:0] – TOKEN_LIMIT_G2 (CPU Address 552). Programs the maximum counter for gigabit port 2. Granularity is 16 bytes.

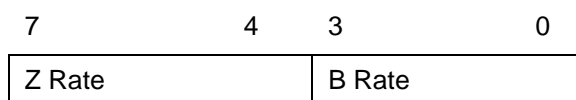
Shaper is implemented to control the peak and average rate for outgoing traffic with priority 6 (queue 6). Shaper is limited to gigabit ports and queue P6 when it is in strict priority. QOSC49 programs the peak rate for gigabit port 2. See Programming QoS Register Application Note for more information.

14.9.38 RDRC0 – WRED Rate Control 0I²C Address 0FB, CPU Address 553Accessed by CPU, Serial Interface and I²C (R/W)

Bits [7:4]: Corresponds to the frame drop percentage X% for WRED. Granularity 6.25%.

Bits[3:0]: Corresponds to the frame drop percentage Y% for WRED. Granularity 6.25%.

See Programming QoS Registers Application Note for more information.

14.9.39 RDRC1 – WRED Rate Control 1I²C Address 0FC, CPU Address 554Accessed by CPU, Serial Interface and I²C (R/W)

Bits [7:4]: Corresponds to the frame drop percentage Z% for WRED. Granularity 6.25%.

Bits[3:0]: Corresponds to the best effort frame drop percentage B%, when shared pool is all in use and destination port best effort queue reaches UCC. Granularity 6.25%.

See Programming QoS Registers Application Note for more information.

14.9.40 User Defined Logical Ports and Well Known Ports

The ZL50418 supports classifying packet priority through layer 4 logical port information. It can be setup by 8 Well Known Ports, 8 User Defined Logical Ports and 1 User Defined Range. The 8 Well Known Ports supported are:

- 0:23
- 1:512
- 2:6000
- 3:443
- 4:111
- 5:22555
- 6:22
- 7:554

Their respective priority can be programmed via Well_Known_Port [7:0] priority register. Well_Known_Port_ Enable can individually turn on/off each Well Known Port if desired.

Similarly, the User Defined Logical Port provides the user programmability to the priority, plus the flexibility to select specific logical ports to fit the applications. The 8 User Logical Ports can be programmed via User_Port 0-7 registers. Two registers are required to be programmed for the logical port number. The respective priority can be

programmed to the User_Port [7:0] priority register. The port priority can be individually enabled/disabled via User_Port_Enable register.

The User Defined Range provides a range of logical port numbers with the same priority level. Programming is similar to the User Defined Logical Port. Instead of programming a fixed port number, an upper and lower limit need to be programmed, they are: {RHIGHH, RHIGHL} and {RLOWH, RLOWL} respectively. If the value in the upper limit is smaller or equal to the lower limit, the function is disabled. Any IP packet with a logical port that is less than the upper limit and more than the lower limit will use the priority specified in RRIORITY.

14.9.40.1 USER_PORT0_(0~7) – User Define Logical Port (0~7)

USER_PORT_0 - I²C Address h0D6 + 0DE; CPU Address 580(Low) + 581(high)

USER_PORT_1 - I²C Address h0D7 + 0DF; CPU Address 582 + 583

USER_PORT_2 - I²C Address h0D8 + 0E0; CPU Address 584 + 585

USER_PORT_3 - I²C Address h0D9 + 0E1; CPU Address 586 + 587

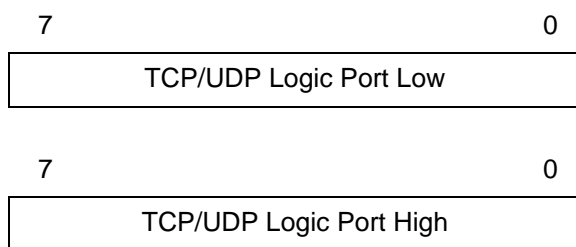
USER_PORT_4 - I²C Address h0DA + 0E2; CPU Address 588 + 589

USER_PORT_5 - I²C Address h0DB + 0E3; CPU Address 58A + 58B

USER_PORT_6 - I²C Address h0DC + 0E4; CPU Address 58C + 58D

USER_PORT_7 - I²C Address h0DD + 0E5; CPU Address 58E + 58F

Accessed by CPU, serial interface and I²C (R/W)

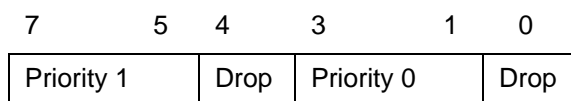


(Default 00) This register is duplicated eight times from PORT 0 through PORT 7 and allows the CPU to define eight separate ports.

14.9.40.2 USER_PORT_[1:0]_PRIORITY - USER DEFINE LOGIC PORT 1 AND 0 PRIORITY

I²C Address h0E6, CPU Address 590

Accessed by CPU, serial interface and I²C (R/W)



The chip allows the CPU to define the priority.

Bits [3:0]: Priority setting, transmission + dropping, for logic port 0

Bits [7:4]: Priority setting, transmission + dropping, for logic port 1 (Default 00)

14.9.40.3 USER_PORT_[3:2]_PRIORITY - USER DEFINE LOGIC PORT 3 AND 2 PRIORITYI²C Address h0E7, CPU Address 591Accessed by CPU, serial interface and I²C (R/W)

7	5 4	3	1 0
Priority 3	Drop	Priority 2	Drop

14.9.40.4 USER_PORT_[5:4]_PRIORITY - USER DEFINE LOGIC PORT 5 AND 4 PRIORITYI²C Address h0E8, CPU Address 592Accessed by CPU, serial interface and I²C (R/W)

7	5 4	3	1 0
Priority 5	Drop	Priority 4	Drop

(Default 00)

14.9.40.5 USER_PORT_[7:6]_PRIORITY - USER DEFINE LOGIC PORT 7 AND 6 PRIORITYI²C Address h0E9, CPU Address 593Accessed by CPU, serial interface and I²C (R/W)

7	5 4	3	1 0
Priority 7	Drop	Priority 6	Drop

(Default 00)

14.9.40.6 USER_PORT_ENABLE[7:0] – USER DEFINE LOGIC 7 TO 0 PORT ENABLESI²C Address h0EA, CPU Address 594Accessed by CPU, serial interface and I²C (R/W)

7	6	5	4	3	2	1	0
P7	P6	P5	P4	P3	P2	P1	P0

(Default 00)

14.9.40.7 WELL_KNOWN_PORT[1:0] PRIORITY- WELL KNOWN LOGIC PORT 1 AND 0 PRIORITYI²C Address h0EB, CPU Address 595Accessed by CPU, serial interface and I²C (R/W)

Priority 0 - Well known port 23 for telnet applications.

7	5 4	3	1 0
Priority 1	Drop	Priority 0	Drop

Priority 1 - Well Known port 512 for TCP/UDP.

(Default 00)

14.9.40.8 WELL_KNOWN_PORT[3:2] PRIORITY- WELL KNOWN LOGIC PORT 3 AND 2 PRIORITY

I²C Address h0EC, CPU Address 596

Accessed by CPU, serial interface and I²C (R/W)

7	5	4	3	1	0
Priority 3	Drop	Priority 2	Drop		

Priority 2 - Well known port 6000 for XWIN.

Priority 3 - Well known port 443 for http.sec

(Default 00)

14.9.40.9 WELL_KNOWN_PORT [5:4] PRIORITY- WELL KNOWN LOGIC PORT 5 AND 4 PRIORITY

I²C Address h0ED, CPU Address 597

Accessed by CPU, serial interface and I²C (R/W)

7	5	4	3	1	0
Priority 5	Drop	Priority 4	Drop		

Priority 4 - Well Known port 111 for sun remote procedure call.

Priority 5 - Well Known port 22555 for IP Phone call setup.

(Default 00)

14.9.40.10 WELL_KNOWN_PORT [7:6] PRIORITY- WELL KNOWN LOGIC PORT 7 AND 6 PRIORITY

I²C Address h0EE, CPU Address 598

Accessed by CPU, serial interface and I²C (R/W)

7	5	4	3	1	0
Priority 7	Drop	Priority 6	Drop		

Priority 6 - well know port 22 for ssh.

Priority 7 – well Known port 554 for rtsp.

(Default 00)

14.9.40.11 WELL_KNOWN_PORT_ENABLE [7:0] – WELL KNOWN LOGIC 7 TO 0 PORT ENABLESI²C Address h0EF, CPU Address 599Accessed by CPU, serial interface and I²C (R/W)

7	6	5	4	3	2	1	0
P7	P6	P5	P4	P3	P2	P1	P0

- 1– Enable
- 0 - Disable

(Default 00)

14.9.40.12 RLOWL – USER DEFINE RANGE LOW BIT 7:0I²C Address h0F4, CPU Address: 59aAccessed by CPU, serial interface and I²C (R/W)

(Default 00)

14.9.40.13 RLOWH – USER DEFINE RANGE LOW BIT 15:8I²C Address h0F5, CPU Address: 59bAccessed by CPU, serial interface and I²C (R/W)

(Default 00)

14.9.40.14 RHIGHL – USER DEFINE RANGE HIGH BIT 7:0I²C Address h0D3, CPU Address: 59cAccessed by CPU, serial interface and I²C (R/W)

(Default 00)

14.9.40.15 RHIGHH – USER DEFINE RANGE HIGH BIT 15:8I²C Address h0D4, CPU Address: 59dAccessed by CPU, serial interface and I²C (R/W)

(Default 00)

14.9.40.16 RPRIORITY – USER DEFINE RANGE PRIORITYI²C Address h0D5, CPU Address: 59eAccessed by CPU, serial interface and I²C (R/W)

7	4	3	1	0
			Range Transmit Priority	Drop

RLOW and RHIGH form a range for logical ports to be classified with priority specified in RRIORITY.

Bit [3:1] Transmit Priority
 Bits [0]: Drop Priority

14.9.41 CPUQOSC123

CPU Address: 5a0, 5a1, 5a2

Accessed by CPU and serial interface (R/W)

C - CPUQOSC1 – CPU BYTE_C1 I²C Address h0C1, CPU Address 517)

B - CPUQOSC2 – CPU BYTE_C2 I²C Address h0C2, CPU Address 518)

A - CPUQOSC3 – CPU BYTE_C3 I²C Address h0C3, CPU Address 519)

Represents values A-C for a CPU port. The values A-C are per-queue byte thresholds for random early drop.

QOSC3 represents A, and QOSC1 represents C. Granularity: 256 bytes

14.10 (Group 6 Address) MISC Group

14.10.1 MII_OP0 – MII Register Option 0

I²C Address F0, CPU Address:h600

Accessed by CPU, serial interface and I²C (R/W)

7	6	5	4	0
hfc	1prst	DisJ	Vendor Spc. Reg Addr	

Bits [7]: Half duplex flow control feature
 0 = Half duplex flow control always enable
 1 = Half duplex flow control by negotiation

Bits [6]: Link partner reset auto-negotiate disable

Bits [5]: Disable jabber detection. This is for HomePNA applications or any serial operation slower than 10 Mbps.
 0 = Enable
 1 = Disable

Bit [4:0]: Vendor specified link status register address (null value means don't use it) (Default 00). This is used if the Linkup bit position in the PHY is non-standard

14.10.2 MII_OP1 – MII Register Option 1

I²C Address F1, CPU Address:h601

Accessed by CPU, serial interface and I²C (R/W)

7	4	3	0
Speed bit location		Duplex bit location	

Bits [3:0]: Duplex bit location in vendor specified register

Bits [7:4]: Speed bit location in vendor specified register
(Default 00)

14.10.3 FEN – Feature Register

I²C Address F2, CPU Address:h602)

Accessed by CPU, serial interface and I²C (R/W)

7	6	5	4	3	2	1	0
DML	Mii	Rp	IP Mul	V-Sp	DS	RC	SC

- Bits [0]: Statistic Counter Enable **(Default 0)**
 0 – Disable
 1 – Enable (all ports)
 When statistic counter is enable, an interrupt control frame is generated to the CPU, every time a counter wraps around. This feature requires an external CPU.
- Bits [1]: Rate Control Enable **(Default 0)**
 • 0 – Disable
 • 1 – Enable; Must also set ECR2Pn[3] = 1
 This bit enables/disables the rate control for all 10/100 ports. To start rate control in a 10/100 port the rate control memory must be programmed. This feature requires an external CPU. See Programming QoS Registers application note and Processor Interface application note for more information.
- Bit [2]: Support DS EF Code. **(Default 0)**
 • 0 – Disable
 • 1 – Enable (all ports)
 When 101110 is detected in DS field (TOS[7:2]), the frame priority is set for 110 and drop is set for 0.
- Bit [3]: Enable VLAN spanning tree support **(Default 0)**
 • 0 – Disable
 • 1 – Enable
 When VLAN spanning tree is enable the registers ECR1Pn are NOT used to program the port spanning tree status. The port status is programmed using the Control Command Frame.

- Bit [4]: Disable IP Multicast Support **(Default 1)**
 - 0 – Enable IP Multicast Support
 - 1 – Disable IP Multicast Support

When enable, IGMP packets are identified by search engine and are passed to the CPU for processing. IP multicast packets are forwarded to the IP multicast group members according to the VLAN port mapping table.
- Bit [5]: Enable report to CPU **(Default 0)**
 - 0 – Disable report to CPU
 - 1 – Enable report to CPU

When disable new VLAN port association report, new MAC address report or aging reports are disable for all ports. When enable, register SE_OPEMODE is used to enable/disable selectively each function.
- Bit [6]: Disable MII Management State Machine **(Default 0)**
 - 0: Enable MII Management State Machine
 - 1: Disable MII Management State Machine

14.10.4 MIIC0 – MII Command Register 0

CPU Address:h603

Accessed by CPU and serial interface only (R/W)

- Bit [7:0] - MII Data [7:0]

Note: Before programming MII command: set FEN[6], check MIIC3, making sure no RDY, and no VALID; then program MII command.

14.10.5 MIIC1 – MII Command Register 1

CPU Address:h604

Accessed by CPU and serial interface only (R/W)

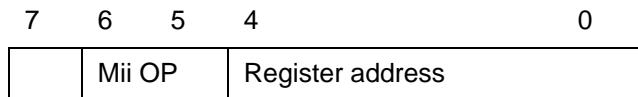
- Bit [7:0] - MII Data [15:8]

Note: Before programming MII command: set FEN[6], check MIIC3, making sure no RDY and no VALID; then program MII command.

14.10.6 MIIC2 – MII Command Register 2

CPU Address:h605

Accessed by CPU and serial interface only (R/W)



- Bit [4:0] - REG_AD – Register PHY Address
- Bit [6:5] - OP – Operation code “10” for read command and “01” for write command

Note: Before programming MII command: set FEN[6], check MIIC3, making sure no RDY and no VALID; then program MII command.

14.10.7 MIIC3 – MII Command Register 3

CPU Address:h606

Accessed by CPU and serial interface only (R/W)

7	6	5	4	0
Rdy	Valid		PHY address	

- Bits [4:0] - PHY_AD – 5 Bit PHY Address
- Bit [6] - VALID – Data Valid from PHY (Read Only)
- Bit [7] - RDY – Data is returned from PHY (Ready Only)

Note: Before programming MII command: set FEN[6], check MIIC3, making sure no RDY and no VALID; then program MII command. Writing this register will initiate a serial management cycle to the MII management interface.

14.10.8 MIID0 – MII Data Register 0

CPU Address:h607

Accessed by CPU and serial interface only (RO)

- Bit [7:0] - MII Data [7:0]

14.10.9 MIID1 – MII Data Register 1

CPU Address:h608

Accessed by CPU and serial interface only (RO)

- Bit [7:0] - MII Data [15:8]

14.10.10 LED Mode – LED Control

CPU Address:h609

Accessed by CPU, serial interface and I²C (R/W)

7	5	4	3	2	1	0
		Clock rate		Hold Time		

- Bit [0] Reserved(Default 0)
- Bit [2:1]: Hold time for LED signal (**Default 00**)
 - 00 = 8 msec 01 = 16 msec
 - 10 = 32 msec 11=64 msec
- Bit [4:3]: LED clock frequency (**Default 0**)
 - 00 =100 M/8 = 12.5 MHz 01 = 100 M/16 = 25 MHz
 - 10 = 100 M/32 = 125 MHz 11 = 100 M/64 = 1.5625 MHz
- Bit [7:5]: Reserved. Must be set to '0' (**Default 0**)

14.10.11 DEVICE Mode

CPU Address:h60a

Accessed by CPU and serial interface (R/W)

Bit [1:0]:Reserved. Must be set to '0' (Default 0)

Bit [2]: Support <= 1536 frames

0: <= 1518 bytes (<= 1522 bytes with VLAN tag) (Default)

1: <= 1536 bytes

Bit [7:3]:Reserved. Must be set to '0' (Default 0)

14.10.12 CHECKSUM - EEPROM Checksum

I²C Address FF, CPU Address:h60b

Accessed by CPU, serial interface and I²C (R/W)

- Bit [7:0]: (Default 0)

This register is used in unmanaged mode only. Before requesting that the ZL50418 updates the EEPROM device, the correct checksum needs to be calculated and written into this checksum register. The checksum formula is

$$\sum_{i=0}^{FF} i^2C \text{ register} = 0$$

When the ZL50418 boots from the EEPROM the checksum is calculated and the value must be zero. If the checksum is not zeroed the ZL50418 does not start and pin CHECKSUM_OK is set to zero.

14.11 (Group 7 Address) Port Mirroring Group

14.11.1 MIRROR1_SRC – Port Mirror source port

CPU Address 700

Accessed by CPU and serial interface (R/W) (Default 7F)

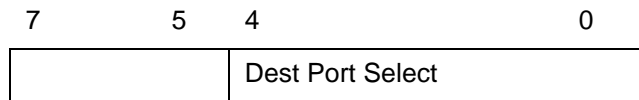
7	6	5	4	0
		I/O	Src Port Select	

- Bit [4:0]: Source port to be mirrored. Use illegal port number to disable mirroring
- Bit [5]: 1 – select ingress data
0 – select egress data
- Bit [6]: Reserved
- Bit [7]: Reserved must be set to '1'

14.11.2 MIRROR1_DEST – Port Mirror destination

CPU Address 701

Accessed by CPU, serial interface (R/W) (Default 17)

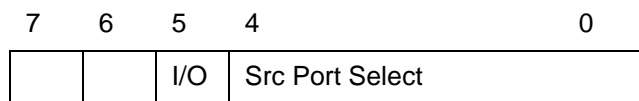


- Bit [4:0]: Port Mirror Destination
When port mirroring is enable, destination port can not serve as a data port.

14.11.3 MIRROR2_SRC – Port Mirror source port

CPU Address 702

Accessed by CPU, serial interface (R/W) (Default FF)

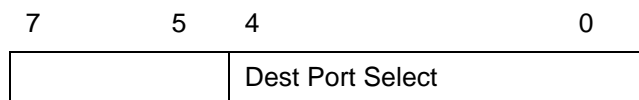


- Bit [4:0]: Source port to be mirrored. Use illegal port number to disable mirroring
- Bit [5]: 1 – select ingress data
0 – select egress data
- Bit [6] Reserved
- Bit [7] Reserved must be set to '1'

14.11.4 MIRROR2_DEST – Port Mirror destination

CPU Address 703

Accessed by CPU, serial interface (R/W) (Default 00)



- Bit [4:0]: Port Mirror Destination
When port mirroring is enable, destination port can not serve as a data port.

14.12 Group F Address) CPU Access Group

14.12.1 GCR-Global Control Register

CPU Address: hF00

Accessed by CPU and serial interface. (R/W)

7	5	4	3	2	1	0
		Init	Reset	Bist	SR	SC

- Bit [0]: Store configuration (**Default = 0**)
Write '1' followed by '0' to store configuration into external EEPROM
- Bit [1]: Store configuration and reset (**Default = 0**)
Write '1' to store configuration into external EEPROM and reset chip
- Bit [2]: Start BIST (Default = 0)
Write '1' followed by '0' to start the device's built-in self-test. The result is found in the DCR register.
- Bit [3]: Soft Reset (Default = 0)
Write '1' to reset chip
- Bit [4]: Initialization Done (Default = 0).
This bit is meaningless in unmanaged mode. In managed mode, CPU write this bit with '1' to indicate initialization is completed and ready to forward packets.
1 = Initialization is done.
0 = Initialization is not complete.

14.12.2 DCR-Device Status and Signature Register

CPU Address: hF01

Accessed by CPU and serial interface. (RO)

7	6	5	4	3	2	1	0
Revision	Signature		RE	BinP	BR	BW	

- Bit [0]: 1: Busy writing configuration to I²C
0: Not busy (not writing configuration to I²C)
- Bit [1]: 1: Busy reading configuration from I²C
0: Not busy (not reading configuration from I²C)
- Bit [2]: 1: BIST in progress
0: BIST not running
- Bit [3]: 1: RAM Error
0: RAM OK
- Bit [5:4]: Device Signature
11: ZL50418 device

Bit [7:6]: Revision
 00: Initial Silicon
 01: XA1 Silicon
 10: Production Silicon

14.12.2.1 DCR1-Giga port status

CPU Address: hF02

Accessed by CPU and serial interface. (RO)

7	6	4	3	2	1	0
CIC			GIGA1		GIGA0	

Bit [1:0]: Giga port 0 strap option

- 00 – 100 Mb MII mode
- 01 – Reserved
- 10 – GMII
- 11 – PCS

Giga port 1 strap option

Bit[3:2]

- 00 – 100 Mb MII mode
- 01 – Reserved
- 10 – GMII
- 11 – PCS

Bit [7] Chip initialization completed

14.12.3 DPST – Device Port Status Register

CPU Address:hF03

Accessed by CPU and serial interface (R/W)

Bit[4:0]: Read back index register. This is used for selecting what to read back from DTST.
(Default 00)

- 5'b00000 - Port 0 Operating mode and Negotiation status
- 5'b00001 - Port 1 Operating mode and Negotiation status
- 5'b00010 - Port 2 Operating mode and Negotiation status
- 5'b00011 - Port 3 Operating mode and Negotiation status
- 5'b00100 - Port 4 Operating mode and Negotiation status
- 5'b00101 - Port 5 Operating mode and Negotiation status
- 5'b00110 - Port 6 Operating mode and Negotiation status
- 5'b00111 - Port 7 Operating mode and Negotiation status
- 5'b01000 - Port 8 Operating mode and Negotiation status
- 5'b01001 - Port 9 Operating mode and Negotiation status
- 5'b01010 - Port 10 Operating mode and Negotiation status
- 5'b01011 - Port 11 Operating mode and Negotiation status
- 5'b01100 - Port 12 Operating mode and Negotiation status
- 5'b01101 - Port 13 Operating mode and Negotiation status
- 5'b01110 - Port 14 Operating mode and Negotiation status
- 5'b01111 - Port 15 Operating mode and Negotiation status
- 5'b10000 - Reserved
- 5'b10001 - Reserved
- 5'b10010 - Reserved
- 5'b00011 - Reserved
- 5'b10100 - Reserved
- 5'b10101 - Reserved
- 5'b10110 - Reserved
- 5'b10111 - Reserved
- 5'b11000 - Port 24 Operating mode/Neg status (CPU port)
- 5'b11001 - Port 25 Operating mode/Neg status (Gigabit 1)
- 5'b11010 - Port 26 Operating mode/Neg status (Gigabit 2)

14.12.4 DTST – Data read back register

CPU Address: hF04

Accessed by CPU and serial interface (RO)

This register provides various internal information as selected in DPST bit [4:0]. Refer to the PHY Control Application Note.

7	6	5	4	3	2	1	0
MD	Info	Sig	Giga	Inkdn	FE	Fdpx	FcEn

When bit is 1:

Bit [0] – Flow control enable

Bit [1] – Full duplex port

Bit [2] – Fast Ethernet port (if not gigabit port)

Bit [3] – Link is down

Bit [4] – Giga port

Bit [5] – Signal detect (when PCS interface mode)

Bit [6] - Reserved

Bit [7] – Module detected (for hot swap purpose)

14.12.5 PLLCR - PLL Control Register

CPU Address: hF05

Accessed by serial interface (RW)

Bit [3] - Must be '1'

Bit [7] - Selects strap option or LCLK/OECLK registers

0 - Strap option (default)

1 - LCLK/OECLK registers

14.12.6 LCLK - LA_CLK delay from internal OE_CLK

CPU Address: hF06

Accessed by serial interface (RW)

PD[12:10]	LCLK	Delay
000b	80h	8 Buffers Delay
001b	40h	7 Buffers Delay
010b	20h	6 Buffers Delay
011b	10h	5 Buffers Delay (Recommend)
100b	08h	4 Buffers Delay
101b	04h	3 Buffers Delay
110b	02h	2 Buffers Delay
111b	01h	1 Buffers Delay

The LCLK delay from SCLK is the sum of the delay programmed in here and the delay in OECLK register.

14.12.7 OECLK - Internal OE_CLK delay from SCLK

CPU Address: hF07

Accessed by serial interface (RW)

The OE_CLK is used for generating the OE0 and OE1 signals.

PD[15:13]	OECLK	Delay
000b	80h	8 Buffers Delay
001b	40h	7 Buffers Delay (Recommend)
010b	20h	6 Buffers Delay
011b	10h	5 Buffers Delay
100b	08h	4 Buffers Delay
101b	04h	3 Buffers Delay
110b	02h	2 Buffers Delay
111b	01h	1 Buffers Delay

14.12.8 DA – DA Register

CPU Address: hFFF

Accessed by CPU and serial interface (RO)

Always return 8'h **DA**. Indicate the CPU interface or serial port connection is good.

14.13 TBI Registers

Two sets of TBI registers are used for configure the two Gigabit ports if they are operating in TBI mode. These TBI registers are located inside the switching chip and they are accessed through the MII command and MII data registers.

14.13.1 Control Register

MII Address: h00

Read/Write

Bit [15]	Reset PCS logic and all TBI registers 1 = Reset. 0 = Normal operation.
Bit [14]	Reserved. Must be programmed with "0".
Bit [13]	Speed selection (See bit 6 for complete details)
Bit [12]	Auto Negotiation Enable 1 = Enable auto-negotiation process. 0 = Disable auto-negotiation process (Default).
Bit [11:10]	Reserved. Must be programmed with "0"

Bit [9]	Restart Auto Negotiation. 1 = Restart auto-negotiation process. 0 = Normal operation (Default).
Bit [8:7]	Reserved.
Bit [6]	Speed Selection Bit [6][13] 1 1 = Reserved 0 0 = 1000 Mb/s (Default) 0 1 =100 Mb/s 0 0 =10 Mb/s
Bit [5:0]	Reserved. Must be programmed with "0".

14.13.2 Status Register

MII Address: h01

Read Only

Bit [15:9]	Reserved. Always read back as "0".
Bit [8]	Reserved. Always read back as "1".
Bit [7:6]	Reserved. Always read back as "0".
Bit [5]	Auto-Negotiation Complete 1 = Auto-negotiation process completed. 0 = Auto-negotiation process not completed.
Bit [4]	Reserved. Always read back as "0"
Bit [3]	Reserved. Always read back as "1"
Bit [2]	Link Status 1 = Link is up. 0 = Link is down.
Bit [1]	Reserved. Always read back as "0".
Bit [0]	Reserved. Always read back as "1".

14.13.3 Advertisement Register

MII Address: h04

Read/Write

Bit [15]	Next Page 1 = Has next page capabilities. 0 = Do not has next page capabilities (Default).
Bit [14]	Reserved. Always read back as "0". Read Only.
Bit [13:12]	Remote Fault. Default is "0".
Bit [11:9]	Reserved. Always read back as "0". Read Only.
Bit [8:7]	Pause. Default is "00"
Bit [6]	Half Duplex 1 = Support half duplex (Default). 0 = Do not support half duplex.
Bit [5]	Full duplex 1 = Support full duplex (Default). 0 = Do not support full duplex.
Bit [4:0]	Reserved. Always read back as "0". Read Only.

14.13.4 Link Partner Ability Register

MII Address: h05

Read Only

Bit [15]	Next Page 1 = Has next page capabilities. 0 = Do not has next page capabilities.
Bit [14]	Acknowledge
Bit [13:12]	Remote Fault.
Bit [11:9]	Reserved. Always read back as "0".
Bit [8:7]	Pause.
Bit [6]	Half Duplex 1 = Support half duplex. 0 = Do not support half duplex.
Bit [5]	Full duplex 1 = Support full duplex. 0 = Do not support full duplex.
Bit [4:0]	Reserved. Always read back as "0".

14.13.5 Expansion Register

MII Address: h06

Read Only

Bit [15:2]	Reserved. Always read back as "0".
Bit [1]	Page Received. 1 = A new page has been received. 0 = A new page has not been received.
Bit [0]	Reserved. Always read back as "0".

14.13.6 Extended Status Register

MII Address: h15

Read Only

Bit [15]	1000 Full Duplex 1 = Support 1000 full duplex operation (Default). 0 = Do not support 1000 full duplex operation.
Bit [14]	1000 Half Duplex 1 = Support 1000 half duplex operation (Default). 0 = Do not support 1000 half duplex operation.
Bit [13:0]	Reserved. Always read back as "0".

15.0 BGA and Ball Signal Descriptions

15.1 BGA Views (TOP Views)

15.1.1 Encapsulated view in unmanaged mode

	1	2	3	4	5	6	7	8	9	10	11	12	13	14	15	16	17	18	19	20	21	22	23	24	25	26	27	28	29						
A			LA_D4	LA_D7	LA_D10	LA_D13	LA_D15	LA_A4	LA_OE0	LA_A8	LA_A13	LA_A16	LA_A19	LA_D33	LA_D36	LA_D39	LA_D42	LA_D45	OE_CLK0	LA_CLK0	TRUNK1	RESE_RVED	RESE_RVED	SCL	SDA	STROBE	TSUT7								
B		LA_D1	LA_D3	LA_D6	LA_D9	LA_D12	LA_D14	LA_A14	LA_OE1	LA_A7	LA_A12	LA_A15	LA_A18	LA_D32	LA_D35	LA_D38	LA_D41	LA_D44	OE_CLK1	LA_CLK1	LA_D62	RESE_RVED	RESE_RVED	TRUNK2	RESE_RVED	D0	TSUT8	TSUT3							
C	LA_CLK0	LA_D2	LA_D5	LA_D8	LA_D11	LA_D3	LA_OE3	LA_WDE1	T_MO	LA_A11	LA_A14	LA_A17	LA_D20	LA_D34	LA_D37	LA_D40	LA_D43	OE_CLK2	LA_CLK2	P_D	TRUNK0	RESE_RVED	RESE_RVED	AUTO	TSUT11	TSUT9	TSUT4	TSUT0							
D	AGND	LA_D17	LA_D19	LA_D21	LA_D23	LA_D25	LA_D27	LA_D29	LA_D31	LA_A6	LA_A10	LA_AE0	LA_W49	LA_D51	LA_D53	LA_D55	LA_D57	LA_D59	LA_D61	LA_D63	LA_D47	SCAN_COL	SCAN_CLK	TSUT14	TSUT13	TSUT12	TSUT10	TSUT5	TSUT1						
E	SCLK	LA_D16	LA_D18	LA_D20	LA_D22	LA_D24	LA_D26	LA_D28	LA_D30	LA_A5	LA_A9	LA_AE1	LA_W48	LA_D50	LA_D52	LA_D54	LA_D56	LA_D58	LA_D60	RESE_RVED	LA_D46		SCAN_LINK	TSUT15	M26_CRS	M26_TXR	SCAN_MOD	TSUT6	TSUT2						
F	AVCC	RESIN_	SCANEN	LB_D63	LB_D62									VCC	VCC	VCC	VCC	VCC								M26_TXCL	M26_TXEN	M26_MTX-	M26_RXD7	M26_RXCL					
G	LB_CLK	RESE_TOUT	LB_D47	LB_D61	LB_D60																					RESE_RVED	RESE_RVED	RESE_RVED	M26_RXER	M26_COL					
H	LB_D46	LB_D45	LB_D44	LB_D59	LB_D58																					RESE_RVED	RESE_RVED	RESE_RVED	RESE_RVED	RESE_RVED					
J	LB_D43	LB_D42	LB_D41	LB_D57	LB_D56																					RESE_RVED	RESE_RVED	M26_RXD9	RESE_RVED	RESE_RVED					
K	LB_D40	LB_D39	LB_D38	LB_D55	LB_D54								VDD	VDD												M26_TXD9	M26_TXD8	M26_RXD6	M26_RXD7	M26_RXD8					
L	LB_D37	LB_D36	LB_D35	LB_D53	LB_D52																					M26_TXD4	M26_TXD6	M26_RXD3	M26_RXD4	M26_RXD5					
M	LB_D34	LB_D33	LB_D32	LB_D51	LB_D50								VDD													M26_TXD7	M26_TXD5	M26_RXD0	M26_RXD1	M26_RXD2					
N	LB_A18	LB_A19	LB_A20	LB_D49	LB_D48					VCC				VSS	VSS	VSS	VSS	VSS	VSS	VSS						M26_TXD2	M26_TXD3			REF_CLK					
P	LB_A15	LB_A16	LB_A17	LB_WE0	LB_WE1					VCC				VSS	VSS	VSS	VSS	VSS	VSS	VSS						M26_TXD0	M26_TXD1		MDIO	REF_CLK					
R	LB_A10	LB_A11	LB_A12	LB_A13	LB_A14					VCC				VSS	VSS	VSS	VSS	VSS	VSS	VSS						M25_CRS	M25_TXR		MDC	M_CLK					
T	LB_A5	LB_A6	LB_A7	LB_A8	LB_A9					VCC				VSS	VSS	VSS	VSS	VSS	VSS	VSS						M25_TXCL	M25_TXEN	M25_MTX-	M25_RXD7	M25_RXCL					
U	LB_OE0	LB_OE1	T_MOE0	LB_D31	LB_D30					VCC				VSS	VSS	VSS	VSS	VSS	VSS	VSS						RESE_RVED	RESE_RVED	RESE_RVED	M25_RXER	M25_COL					
V	LB_A_DSC-	LB_OE	LB_WE	LB_D29	LB_D28					VDD				VSS	VSS	VSS	VSS	VSS	VSS	VSS						RESE_RVED	RESE_RVED	RESE_RVED	RESE_RVED	RESE_RVED					
W	LB_D15	LB_D3	LB_A4	LB_D27	LB_D26					VDD				VSS	VSS	VSS	VSS	VSS	VSS	VSS						RESE_RVED	RESE_RVED	M25_RXD9	RESE_RVED	RESE_RVED					
Y	LB_D14	LB_D13	LB_D12	LB_D25	LB_D24					VDD	VDD															M25_RXD6	M25_TXD9	M25_TXD8	M25_RXD7	M25_RXD8					
AA	LB_D11	LB_D10	LB_D9	LB_D23	LB_D22																					M25_TXD6	M25_TXD7	M25_RXD3	M25_RXD4	M25_RXD5					
AB	LB_D8	LB_D7	LB_D6	LB_D21	LB_D20																					M25_TXD4	M25_TXD5	M25_RXD0	M25_RXD1	M25_RXD2					
AC	LB_D5	LB_D4	LB_D3	LB_D19	LB_D18																					M25_TXD2	M25_TXD3	RESE_RVED	RESE_RVED	RESE_RVED					
AD	LB_D2	LB_D1	LB_D0	LB_D17	LB_D16									VCC	VCC	VCC	VCC	VCC								M25_TXD0	M25_TXD1	RESE_RVED	RESE_RVED	RESE_RVED					
AE	M0_T_XEN	M0_T_XD0	M0_T_XD1	M3_T_XD0	M3_T_XD1	M3_R_XD0	M5_T_XD0	M5_T_XD1	M5_R_XD0	M8_T_XD0	M8_T_XD1	M8_R_XD0	M10_TXD0	M10_TXD1	M10_RXD0	M13_TXD0	M13_TXD1	RESE_RVED	M15_TXD0	RESE_RVED	M15_TXEN	M15_RXD0	RESE_RVED	RESE_RVED	RESE_RVED	RESE_RVED	RESE_RVED	RESE_RVED	RESE_RVED	RESE_RVED					
AF	M0_R_XD0	M0_C_RS	M3_C_XD0	M3_C_XD1	M3_C_XD0	M5_C_XD0	M5_C_XD1	M5_C_XD0	M5_C_XD1	M8_C_XD0	M8_C_XD1	M8_C_XD0	M10_C_TXD0	M10_C_TXD1	M10_C_TXD0	M13_C_TXD0	M13_C_TXD1	CRS	M13_C_TXD0	CRS	M13_C_TXD1	CRS	M13_C_TXD0	RESE_RVED	M14_C_TXD0	RESE_RVED	M15_C_TXD0	RESE_RVED	RESE_RVED	RESE_RVED	RESE_RVED	RESE_RVED	RESE_RVED	RESE_RVED	RESE_RVED
AG	M1_T_XEN	M1_T_XD0	M1_T_XD1	M2_T_XD0	M2_C_XD1	M4_T_XD0	M4_C_XD0	M6_T_XD0	M6_C_XD1	M7_T_XD0	M7_C_XD1	M9_T_XD0	M9_C_XD0	M11_TXD0	M11_TXD1	M12_TXD0	M12_TXD1	CRS	M12_TXD0	CRS	M12_TXD1	CRS	M12_TXD0	RESE_RVED	M14_C_TXD0	RESE_RVED	M13_C_TXD0	RESE_RVED	RESE_RVED	RESE_RVED	RESE_RVED	RESE_RVED	RESE_RVED	RESE_RVED	RESE_RVED
AH	M1_R_XD0	M1_C_RS	M2_T_XD0	M2_R_XD0	M4_T_XD0	M4_R_XD0	M6_T_XD0	M6_R_XD0	M7_T_XD0	M7_R_XD0	M9_T_XD0	M9_R_XD0	M11_TXD0	M11_TXD1	M12_TXD0	M12_TXD1	CRS	M12_TXD0	CRS	M12_TXD1	CRS	M12_TXD0	RESE_RVED	M14_C_TXD0	RESE_RVED	M13_C_TXD0	RESE_RVED	RESE_RVED	RESE_RVED	RESE_RVED	RESE_RVED	RESE_RVED	RESE_RVED	RESE_RVED	
AJ			M1_R_XD1	M2_T_XD1	M2_R_XD1	M4_T_XD1	M4_R_XD1	M6_T_XD1	M6_R_XD1	M7_T_XD1	M7_R_XD1	M9_T_XD1	M9_R_XD1	M11_TXD1	M11_TXD0	M12_TXD1	M12_TXD0	CRS	M12_TXD1	CRS	M12_TXD0	CRS	M12_TXD1	RESE_RVED	M14_C_TXD1	RESE_RVED	M13_C_TXD1	RESE_RVED	RESE_RVED	RESE_RVED	RESE_RVED	RESE_RVED	RESE_RVED	RESE_RVED	RESE_RVED

15.2 Ball – Signal Descriptions in Managed Mode

All pins are CMOS type; all Input Pins are 5 Volt tolerance; and all Output Pins are 3.3 CMOS drive.

15.2.1 Ball Signal Descriptions in Managed Mode

Ball No(s)	Symbol	I/O	Description
CPU BUS Interface in Managed Mode			
C19, B19, A19, C20, B20, A20, C21, E20, A21, B24, B22, A22, C23, B23, A23, C24	P_DATA[15:0]	I/O-TS with pull up Except P_DATA[7:6] I/O-TS with pull down	Processor Bus Data Bit [15:0]. P_DATA[7:0] is used in 8-bit mode.
C22, A24, A25	P_A[2:0]	Input	Processor Bus Address Bit [2:0]
A26	P_WE#	Input with weak internal pull up	CPU Bus-Write Enable
B26	P_RD#	Input with weak internal pull up	CPU Bus-Read Enable
C25	P_CS#	Input with weak internal pull up	Chip Select
B25	P_INT#	Output	CPU Interrupt
Frame Buffer Interface			
D20, B21, D19, E19, D18, E18, D17, E17, D16, E16, D15, E15, D14, E14, D13, E13, D21, E21, A18, B18, C18, A17, B17, C17, A16, B16, C16, A15, B15, C15, A14, B14, D9, E9, D8, E8, D7, E7, D6, E6, D5, E5, D4, E4, D3, E3, D2, E2, A7, B7, A6, B6, C6, A5, B5, C5, A4, B4, C4, A3, B3, C3, B2, C2	LA_D[63:0]	I/O-TS with pullup	Frame Bank A– Data Bit [63:0]
C14, A13, B13, C13, A12, B12, C12, A11, B11, C11, D11, E11, A10, B10, D10, E10, A8, C7	LA_A[20:3]	Output	Frame Bank A – Address Bit [20:3]
B8	LA_ADSC#	Output with pull up	Frame Bank A Address Status Control
C1	LA_CLK	Output	Frame Bank A Clock Input
C9	LA_WE#	Output with pull up	Frame Bank A Write Chip Select for one layer SRAM configuration
D12	LA_WE0#	Output with pull up	Frame Bank A Write Chip Select for lower layer of two layers SRAM configuration

Ball No(s)	Symbol	I/O	Description
E12	LA_WE1#	Output with pull up	Frame Bank A Write Chip Select for upper layer of two layers SRAM configuration
C8	LA_OE#	Output with pull up	Frame Bank A Read Chip Select for one bank SRAM configuration
A9	LA_OE0#	Output with pull up	Frame Bank A Read Chip Select for lower layer of two layers SRAM configuration
B9	LA_OE1#	Output with pull up	Frame Bank A Read Chip Select for upper layer of two layers SRAM configuration
F4, F5, G4, G5, H4, H5, J4, J5, K4, K5, L4, L5, M4, M5, N4, N5, G3, H1, H2, H3, J1, J2, J3, K1, K2, K3, L1, L2, L3, M1, M2, M3, U4, U5, V4, V5, W4, W5, Y4, Y5, AA4, AA5, AB4, AB5, AC4, AC5, AD4, AD5, W1, Y1, Y2, Y3, AA1, AA2, AA3, AB1, AB2, AB3, AC1, AC2, AC3, AD1, AD2, AD3	LB_D[63:0]	I/O-TS with pullup.	Frame Bank B– Data Bit [63:0]
N3, N2, N1, P3, P2, P1, R5, R4, R3, R2, R1, T5, T4, T3, T2, T1, W3, W2	LB_A[20:3]	Output	Frame Bank B – Address Bit [20:3]
V1	LB_ADSC#	Output with pull up	Frame Bank B Address Status Control
G1	LB_CLK	Output with pull up	Frame Bank B Clock Input
V3	LB_WE#	Output with pull up	Frame Bank B Write Chip Select for one layer SRAM configuration
P4	LB_WE0#	Output with pull up	Frame Bank B Write Chip Select for lower layer of two layer SRAM configuration
P5	LB_WE1#	Output with pull up	Frame Bank B Write Chip Select for upper layer of two layers SRAM configuration
V2	LB_OE#	Output with pull up	Frame Bank B Read Chip Select for one layer SRAM configuration
U1	LB_OE0#	Output with pull up	Frame Bank B Read Chip Select for lower layer of two layers SRAM configuration
U2	LB_OE1#	Output with pull up	Frame Bank B Read Chip Select for upper layer of two layers SRAM configuration

Ball No(s)	Symbol	I/O	Description
Fast Ethernet Access Ports [15:0] RMII			
R28	M_MDC	Output	MII Management Data Clock – (Common for all MII Ports [15:0])
P28	M_MDIO	I/O-TS with pull up	MII Management Data I/O – (Common for all MII Ports –[15:0])
R29	M_CLKI	Input	Reference Input Clock
AF21, AJ19, AF18, AJ17, AJ15, AF15, AJ13, AF12, AJ11, AJ9, AF9, AJ7, AF6, AJ5, AJ3, AF1	M[15:0]_RXD[1]	Input with weak internal pull up resistors.	Ports [15:0] – Receive Data Bit [1]
AE21, AH19, AH20, AH17, AH15, AE15, AH13, AE12, AH11, AH9, AE9, AH7, AE6, AH5, AH2, AF2	M[15:0]_RXD[0]	Input with weak internal pull up resistors	Ports [15:0] – Receive Data Bit [0]
AH21, AF19, AF17, AG17, AG15, AF14, AG13, AF11, AG11, AG9, AF8, AG7, AF5, AG5, AH3, AF3	M[15:0]_CRS_DV	Input with weak internal pull down resistors.	Ports [15:0] – Carrier Sense and Receive Data Valid
AJ18, AJ21, AJ16, AJ14, AE14, AJ12, AE11, AJ10, AJ8, AE8, AJ6, AE5, AJ4, AG1, AE1	M[15:0]_TXEN	I/O- TS with pull up, slew	Ports [15:0] – Transmit Enable Strap option for RMII/GPSI
AE18, AG18, AE16, AG16, AG14, AE13, AG12, AE10, AG10, AG8, AE7, AG6, AE4, AG4, AG3, AE3	M[15:0]_TXD[1]	Output, slew	Ports [15:0] – Transmit Data Bit [1]
AG19, AH18, AF16, AH16, AH14, AF13, AH12, AF10, AH10, AH8, AF7, AH6, AF4, AH4, AG2, AE2	M[15:0]_TXD[0]	Output, slew	Ports [15:0] – Transmit Data Bit [0]
GMII/TBI GiGabit Ethernet Access Ports 0 & 1			
Y27, Y26, AA26, AA25, AB26, AB25, AC26, AC25, AD26, AD25	M25_TXD[9:0]	Output	Transmit Data Bit [9:0]
T28	M25_RX_DV	Input w/ pull down	Receive Data Valid
U28	M25_RX_ER	Input w/ pull up	Receive Error
R25	M25_CRCS	Input w/ pull down	Carrier Sense
U29	M25_COL	Input w/ pull up	Collision Detected
T29	M25_RXCLK	Input w/ pull up	Receive Clock

Ball No(s)	Symbol	I/O	Description
W27, Y29, Y28, Y25, AA29, AA28, AA27, AB29, AB28, AB27	M25_RXD[9:0]	Input w/ pull up	Receive Data Bit [9:0]
T26	M25_TX_EN	Output w/ pull up	Transmit Data Enable
R26	M25_TX_ER	Output w/ pull up	Transmit Error
T27	M25_MTXCLK	Input w/ pull down	MII Mode Transmit Clock
T25	M25_TXCLK	Output	Gigabit Transmit Clock
P29	REF_CLK0	Input w/ pull up	Gigabit Reference Clock
K25, K26, M25, L26, M26, L25, N26, N25, P26, P25	M26_TXD[9:0]	Output	Transmit Data Bit [9:0]
F28	M26_RX_DV	Input w/ pull down	Receive Data Valid
G28	M26_RX_ER	Input w/ pull up	Receive Error
E25	M26_CRS	Input w/ pull down	Carrier Sense
G29	M26_COL	Input w/ pull up	Collision Detected
F29	M26_RXCLK	Input w/ pull up	Receive Clock
J27, K29, K28, K27, L29, L28, L27, M29, M28, M27	M26_RXD[9:0]	Input w/ pull up	Receive Data Bit [9:0]
F26	M26_TX_EN	Output w/ pull up	Transmit Data Enable
E26	M26_TX_ER	Output w/ pull up	Transmit Error
F27	M26_MTXCLK	Input w/ pull down	MII Mode Transmit Clock
F25	M26_TXCLK	Output	Gigabit Transmit Clock
N29	REF_CLK1	Input w/ pull up	Gigabit Reference Clock
LED Interface			
C29	LED_CLK/TST OUT0	I/O- TS with pull up	LED Serial Interface Output Clock
D29	LED_SYN/TST OUT1	I/O- TS with pull up	LED Output Data Stream Envelope
E29	LED_BIT/TST OUT2	I/O- TS with pull up	LED Serial Data Output Stream
B28	G1_RXTX#/TST OUT3	I/O- TS with pull up	LED for Gigabit port 1 (receive + transmit)
C28	G1_DPCOL#/TST OUT4	I/O- TS with pull up	LED for Gigabit port 1 (full duplex + collision)
D28	G1_LINK#/TST OUT5	I/O- TS with pull up	LED for Gigabit port 1

Ball No(s)	Symbol	I/O	Description
E28	G2_RXTX#/TS TOUT6	I/O- TS with pull up	LED for Gigabit port 2 (receive + transmit)
A27	G2_DPCOL#/T STOUT7	I/O- TS with pull up	LED for Gigabit port 2 (full duplex + collision)
B27	G2_LINK#/TST OUT8	I/O- TS with pull up	LED for Gigabit port 2
C27	INIT_DONE/TS TOUT9	I/O- TS with pull up	System start operation
D27	INIT_START/TS TOUT10	I/O- TS with pull up	Start initialization
C26	CHECKSUM_O K/TSTOUT11	I/O- TS with pull up	EEPROM read OK
D26	FCB_ERR/TST OUT12	I/O- TS with pull up	FCB memory self test fail
D25	MCT_ERR/TST OUT13	I/O- TS with pull up	MCT memory self test fail
D24	BIST_IN_PRC/ TSTOUT14	I/O- TS with pull up	Processing memory self test
E24	BIST_DONE/TS TOUT15	I/O- TS with pull up	Memory self test done

Test Facility			
U3, C10	T_MODE0, T_MODE1	I/O-TS	Test Pins 00 – Test mode – Set Mode upon Reset, and provides NAND Tree test output during test mode 01 - Reserved - Do not use 10 - Reserved - Do not use 11 – Normal mode. Use external pull up for normal mode

Ball No(s)	Symbol	I/O	Description
F3	SCAN_EN	Input with pull down	Scan Enable
E27	SCANMODE	Input with pull down	1 – Enable Test mode 0 - Normal mode (open)

Ball No(s)	Symbol	I/O	Description
System Clock, Power, and Ground Pins			
E1	SCLK	Input	System Clock at 100 MHz
K12, K13, K17, K18 M10, N10, M20, N20, U10, V10, U20, V20, Y12, Y13, Y17, Y18	VDD	Power	+2.5 Volt DC Supply
F13, F14, F15, F16, F17, N6, P6, R6, T6, U6, N24, P24, R24, T24, U24, AD13, AD14, AD15, AD16, AD17	VCC	Power	+3.3 Volt DC Supply
M12, M13, M14, M15, M16, M17, M18, N12, N13, N14, N15, N16, N17, N18, P12, P13, P14, P15, P16, P17, P18, R12, R13, R14, R15, R16, R17, R18, T12, T13, T14, T15, T16, T17, T18, U12, U13, U14, U15, U16, U17, U18, V12, V13, V14, V15, V16, V17, V18,	VSS	Power Ground	Ground
F1	AVCC	Analog Power	Analog +2.5 Volt DC Supply
D1	AGND	Analog Ground	Analog Ground
MISC			
D22	SCANCOL	Input/ output	Scans the Collision signal of Home PHY
D23	SCANCLK	Output	Clock for scanning Home PHY collision and link
E23	SCANLINK	Input/ output	Link up signal from Home PHY
F2	RESIN#	Input	Reset Input
G2	RESETOUT#	Output	Reset PHY

Ball No(s)	Symbol	I/O	Description
AC29, AE28, AJ27, AF27, AJ25, AF24, AH23, AE19, AC27, AF29, AG27, AF26, AG25, AG23, AF23, AG21, AC28, AF28, AH27, AE27, AH25, AE24, AF22, AF20, AD29, AG28, AJ26, AE26, AJ24, AE23, AJ22, AJ20, AD27, AH28, AG26, AE25, AG24, AE22, AJ23, AG20, AD28, AG29, AH26, AF25, AH24, AG22, AH22, AE17, G27, H29, H28, H27, J29, J28, U26, U25, V26, V25, W26, W25, G26, G25, H26, H25, J26, J25, U27, V29, V28, V27, W29, W28	RESERVED	NA	Reserved Pins. Leave unconnected.
Bootstrap Pins (Default = pull up, 1= pull up 0= pull down)			
After reset TSTOUT0 to TSTOU15 are used by the LED interface.			
C29	TSTOUT0	Default 1	GIGA Link polarity 0 – active low 1 – active high
D29	TSTOUT1	Default 1	RMII MAC Power Saving Enable 0 – No power saving 1 – power saving
E29	TSTOUT2	Default 1 Recommend disable (0) with pull-down	Giga Half Duplex Support 0 - Disable 1 - Enable
B28	TSTOUT3	Default 1	Module detect enable 0 – Hot swap enable 1 – Hot swap disable
C28	TSTOUT4		Reserved
D28	TSTOUT5	Default 1	Scan Speed: ¼ SCLK or SCLK 0 – ¼ SCLK (HPNA) 1 - SCLK
E28	TSTOUT6	Default 1	CPU Port Mode 0 - 8 bit Bus Mode 1 - 16 bit Bus Mode

Ball No(s)	Symbol	I/O	Description
A27	TSTOUT7	Default 1	Memory Size 0 - 256 K x 32 or 256 K x 64 (4 M total) 1 - 128 K x 32 or 128 K x 64 (2 M total)
B27	TSTOUT8	Default 1	EEPROM Installed 0 – EEPROM installed 1 – EEPROM not installed
C27	TSTOUT9	Default 1	MCT Aging 0 – MCT aging disable 1 – MCT aging enable
D27	TSTOUT10	Default 1	FCB Aging 0 - FCB aging disable 1 – FCB aging enable
C26	TSTOUT11	Default 1	Timeout Reset 0 - Timeout reset disable 1 - Timeout reset enable. Issue reset if any state machine did not go back to idle for 5 secs.
D26	TSTOUT12		Reserved
D25	TSTOUT13	Default 1	FDB RAM depth (1 or 2 layers) 0 – 2 layer 1 – 1 layer
D24	TSTOUT14	Default 1	CPU installed 0 – CPU installed 1 – CPU not installed
E24	TSTOUT15	Default 1	SRAM Test Mode 0 – Enable test mode 1 – Normal operation
T26, R26	G0_TXEN, G0_TXER	Default: PCS	Giga0 Mode: G0_TXEN G0_TXER 0 0 MII 0 1 RSVD 1 0 GMII 1 1 PCS

Ball No(s)	Symbol	I/O	Description																								
F26, E26	G1_TXEN, G1_TXER	Default: PCS	Giga1 Mode: <table border="0"> <tr> <td>G1_TXEN</td> <td>G1_TXER</td> <td>MII</td> </tr> <tr> <td>0</td> <td>0</td> <td></td> </tr> <tr> <td>0</td> <td>1</td> <td></td> </tr> <tr> <td>RSVD</td> <td></td> <td></td> </tr> <tr> <td>1</td> <td>0</td> <td></td> </tr> <tr> <td>GMII</td> <td></td> <td></td> </tr> <tr> <td>1</td> <td>1</td> <td></td> </tr> <tr> <td>PCS</td> <td></td> <td></td> </tr> </table>	G1_TXEN	G1_TXER	MII	0	0		0	1		RSVD			1	0		GMII			1	1		PCS		
G1_TXEN	G1_TXER	MII																									
0	0																										
0	1																										
RSVD																											
1	0																										
GMII																											
1	1																										
PCS																											
AE20, AJ18, AJ21, AJ16, AJ14, AE14, AJ12, AE11, AJ10, AJ8, AE8, AJ6, AE5, AJ4, AG1, AE1	M[15:0] TXEN	Default: RMII	0 – GPSI 1 – RMII																								
C21	P_D[9]	Must be pulled-down	Reserved - Must be pulled-down																								
C19, B19, A19	P_D[15:13]	Default: 111	Programmable delay for internal OE_CLK from SCLK input. The OE_CLK is used for generating the OE0 and OE1 signals. Suggested value is 001.																								
C20, B20, A20	P_D[12:10]	Default: 111	Programmable delay for LA_CLK and LB_CLK from internal OE_CLK. The LA_CLK and LB_CLK delay from SCLK is the sum of the delay programmed in here and the delay in P_D[15:13]. Suggested value is 011.																								

Notes:

=Active low signal

Input =Input signal

In-ST = Input signal with Schmitt-Trigger

Output =Output signal (Tri-State driver)

Out-OD=Output signal with Open-Drain driver

I/O-TS = Input & Output signal with Tri-State driver

I/O-OD =Input & Output signal with Open-Drain driver

15.2.2 Ball – Signal Descriptions in Unmanaged Mode

Ball No(s)	Symbol	I/O	Description
I²C Interface Note: In unmanaged mode, Use I²C and Serial control interface to configure the system			
A24	SCL	Output	I ² C Data Clock
A25	SDA	I/O-TS with internal pull up	I ² C Data I/O
Serial Control Interface			
A26	STROBE	Input with weak internal pull up	Serial Strobe Pin
B26	D0	Input with weak internal pull up	Serial Data Input
C25	AUTOFD	Output with pull up	Serial Data Output (AutoFD)
Frame Buffer Interface			
D20, B21, D19, E19, D18, E18, D17, E17, D16, E16, D15, E15, D14, E14, D13, E13, D21, E21, A18, B18, C18, A17, B17, C17, A16, B16, C16, A15, B15, C15, A14, B14, D9, E9, D8, E8, D7, E7, D6, E6, D5, E5, D4, E4, D3, E3, D2, E2, A7, B7, A6, B6, C6, A5, B5, C5, A4, B4, C4, A3, B3, C3, B2, C2	LA_D[63:0]	I/O-TS with pull up	Frame Bank A– Data Bit [63:0]
C14, A13, B13, C13, A12, B12, C12, A11, B11, C11, D11, E11, A10, B10, D10, E10, A8, C7	LA_A[20:3]	Output	Frame Bank A – Address Bit [20:3]
B8	LA_ADSC#	Output with pull up	Frame Bank A Address Status Control
C1	LA_CLK	Output with pull up	Frame Bank A Clock Input
C9	LA_WE#	Output with pull up	Frame Bank A Write Chip Select for one layer SRAM application
D12	LA_WE0#	Output with pull up	Frame Bank A Write Chip Select for lower layer of two bank SRAM application
E12	LA_WE1#	Output with pull up	Frame Bank A Write Chip Select for upper bank of two layer SRAM application
C8	LA_OE#	Output with pull up	Frame Bank A Read Chip Select for one layer SRAM application

Ball No(s)	Symbol	I/O	Description
A9	LA_OE0#	Output with pull up	Frame Bank A Read Chip Select for lower layer of two layers SRAM application
B9	LA_OE1#	Output with pull up	Frame Bank A Read Chip Select for upper layer of two layers SRAM application
F4, F5, G4, G5, H4, H5, J4, J5, K4, K5, L4, L5, M4, M5, N4, N5, G3, H1, H2, H3, J1, J2, J3, K1, K2, K3, L1, L2, L3, M1, M2, M3, U4, U5, V4, V5, W4, W5, Y4, Y5, AA4, AA5, AB4, AB5, AC4, AC5, AD4, AD5, W1, Y1, Y2, Y3, AA1, AA2, AA3, AB1, AB2, AB3, AC1, AC2, AC3, AD1, AD2, AD3	LB_D[63:0]	I/O-TS with pull up.	Frame Bank B– Data Bit [63:0]
N3, N2, N1, P3, P2, P1, R5, R4, R3, R2, R1, T5, T4, T3, T2, T1, W3, W2	LB_A[20:3]	Output	Frame Bank B – Address Bit [20:3]
V1	LB_ADSC#	Output with pull up	Frame Bank B Address Status Control
G1	LB_CLK	Output with pull up	Frame Bank B Clock Input
V3	LB_WE#	Output with pull up	Frame Bank B Write Chip Select for one layer SRAM application
P4	LB_WE0#	Output with pull up	Frame Bank B Write Chip Select for lower layer of two layers SRAM application
P5	LB_WE1#	Output with pull up	Frame Bank B Write Chip Select for upper layer of two layers SRAM application
V2	LB_OE#	Output with pull up	Frame Bank B Read Chip Select for one layer SRAM application
U1	LB_OE0#	Output with pull up	Frame Bank B Read Chip Select for lower layer of two layers SRAM application
U2	LB_OE1#	Output with pull up	Frame Bank B Read Chip Select for upper layer of two layers SRAM application
Fast Ethernet Access Ports [15:0] RMII			
R28	M_MDC	Output	MII Management Data Clock – (Common for all MII Ports [15:0])
P28	M_MDIO	I/O-TS with pull up	MII Management Data I/O – (Common for all MII Ports –[15:0])

Ball No(s)	Symbol	I/O	Description
R29	M_CLKI	Input	Reference Input Clock
AF21, AJ19, AF18, AJ17, AJ15, AF15, AJ13, AF12, AJ11, AJ9, AF9, AJ7, AF6, AJ5, AJ3, AF1	M[15:0]_RXD[1]	Input with weak internal pull up resistors.	Ports [15:0] – Receive Data Bit [1]
AE21, AH19, AH20, AH17, AH15, AE15, AH13, AE12, AH11, AH9, AE9, AH7, AE6, AH5, AH2, AF2	M[15:0]_RXD[0]	Input with weak internal pull up resistors	Ports [15:0] – Receive Data Bit [0]
AH21, AF19, AF17, AG17, AG15, AF14, AG13, AF11, AG11, AG9, AF8, AG7, AF5, AG5, AH3, AF3	M[15:0]_CRS_DV	Input with weak internal pull down resistors.	Ports [15:0] – Carrier Sense and Receive Data Valid
AE20, AJ18, AJ21, AJ16, AJ14, AE14, AJ12, AE11, AJ10, AJ8, AE8, AJ6, AE5, AJ4, AG1, AE1	M[15:0]_TXEN	I/O- TS with pull up, slew	Ports [15:0] – Transmit Enable Strap option for RMII/GPSI
AE18, AG18, AE16, AG16, AG14, AE13, AG12, AE10, AG10, AG8, AE7, AG6, AE4, AG4, AG3, AE3	M[15:0]_TXD[1]	Output, slew	Ports [15:0] – Transmit Data Bit [1]
AG19, AH18, AF16, AH16, AH14, AF13, AH12, AF10, AH10, AH8, AF7, AH6, AF4, AH4, AG2, AE2	M[15:0]_TXD[0]	Output, slew	Ports [15:0] – Transmit Data Bit [0]
GMII/TBI GiGabit Ethernet Access Ports 0 & 1			
Y27, Y26, AA26, AA25, AB26, AB25, AC26, AC25, AD26, AD25	M25_TXD[9:0]	Output	Transmit Data Bit [9:0]
T28	M25_RX_DV	Input w/ pulldown	Receive Data Valid
U28	M25_RX_ER	Input w/ pullup	Receive Error
R25	M25_CRS	Input w/ pulldown	Carrier Sense
U29	M25_COL	Input w/ pullup	Collision Detected
T29	M25_RXCLK	Input w/ pullup	Receive Clock
W27, Y29, Y28, Y25, AA29, AA28, AA27, AB29, AB28, AB27	M25_RXD[9:0]	Input w/ pullup	Receive Data Bit [9:0]
T26	M25_TX_EN	Output w/ pullup	Transmit Data Enable
R26	M25_TX_ER	Output w/ pullup	Transmit Error
T25	M25_TXCLK	Output	Gigabit Transmit Clock

Ball No(s)	Symbol	I/O	Description
P29	REF_CLK0	Input w/ pullup	Gigabit Reference Clock
K25, K26, M25, L26, M26, L25, N26, N25, P26, P25	M26_TXD[9:0]	Output	Transmit Data Bit [9:0]
F28	M26_RX_DV	Input w/ pulldown	Receive Data Valid
G28	M26_RX_ER	Input w/ pullup	Receive Error
E25	M26_CR	Input w/ pulldown	Carrier Sense
G29	M26_COL	Input w/ pullup	Collision Detected
F29	M26_RXCLK	Input w/ pullup	Receive Clock
J27, K29, K29, K28, K27, L29, L28, L27, M29, M28, M27	M26_RXD[9:0]	Input w/ pullup	Receive Data Bit [9:0]
F26	M26_TX_EN	Output w/ pullup	Transmit Data Enable
E26	M26_TX_ER	Output w/ pullup	Transmit Error
F25	M26_TXCLK	Output	Gigabit Transmit Clock
N29	REF_CLK1	Input w/ pullup	Gigabit Reference Clock
LED Interface			
C29	LED_CLK/TSTOUT 0	I/O- TS with pull up	LED Serial Interface Output Clock
D29	LED_SYN/TSTOUT 1	I/O- TS with pull up	LED Output Data Stream Envelope
E29	LED_BIT/TSTOUT2	I/O- TS with pull up	LED Serial Data Output Stream
B28	G1_RXTX#/TSTOU T3	I/O- TS with pull up	LED for Gigabit port 1 (receive + transmit)
C28	G1_DPCOL#/TSTO UT4	I/O- TS with pull up	LED for Gigabit port 1 (full duplex + collision)
D28	G1_LINK#/TSTOUT 5	I/O- TS with pull up	LED for Gigabit port 1
E28	G2_RXTX#/TSTOU T6	I/O- TS with pull up	LED for Gigabit port 2 (receive + transmit)
A27	G2_DPCOL#/TSTO UT7	I/O- TS with pull up	LED for Gigabit port 2 (full duplex + collision)
B27	G2_LINK#/TSTOUT 8	I/O- TS with pull up	LED for Gigabit port 2
C27	INIT_DONE/TSTOU T9	I/O- TS with pull up	System start operation
D27	INIT_START/TSTO UT10	I/O- TS with pull up	Start initialization
C26	CHECKSUM_OK/T STOUT11	I/O- TS with pull up	EEPROM read OK

Ball No(s)	Symbol	I/O	Description
D26	FCB_ERR/TSTOUT 12	I/O- TS with pull up	FCB memory self test fail
D25	MCT_ERR/TSTOUT 13	I/O- TS with pull up	MCT memory self test fail
D24	BIST_IN_PRC/TST OUT14	I/O- TS with pull up	Processing memory self test
E24	BIST_DONE/TSTO UT15	I/O- TS with pull up	Memory self test done
Trunk Enable			
C22	TRUNK0	Input w/ weak internal pull down resistors	Trunk Port Enable in unmanaged mode In managed mode doesn't care
A21	TRUNK1	Input w/ weak internal pull down resistors	Trunk Port Enable in unmanaged mode In managed mode doesn't care
B24	TRUNK2	Input w/ weak internal pull down resistors	Trunk Port Enable in unmanaged mode In managed mode doesn't care
Test Facility			
U3, C10	T_MODE0, T_MODE1	I/O-TS	Test Pins 00 – Test mode – Set Mode upon Reset, and provides NAND Tree test output during test mode 01 - Reserved - Do not use 10 - Reserved - Do not use 11 – Normal mode. Use external pull up for normal mode
F3	SCAN_EN	Input with pull down	Scan Enable 0 - Normal mode (open)
E27	SCANMODE	Input with pull down	1 – Enable Test mode 0 - Normal mode (open)
System Clock, Power, and Ground Pins			
E1	SCLK	Input	System Clock at 100 MHz
K12, K13, K17, K18 M10, N10, M20, N20, U10, V10, U20, V20, Y12, Y13, Y17, Y18	VDD	Power	+2.5 Volt DC Supply
F13, F14, F15, F16, F17, N6, P6, R6, T6, U6, N24, P24, R24, T24, U24, AD13, AD14, AD15, AD16, AD17	VCC	Power	+3.3 Volt DC Supply

Ball No(s)	Symbol	I/O	Description
M12, M13, M14, M15, M16, M17, M18, N12, N13, N14, N15, N16, N17, N18, P12, P13, P14, P15, P16, P17, P18, R12, R13, R14, R15, R16, R17, R18, T12, T13, T14, T15, T16, T17, T18, U12, U13, U14, U15, U16, U17, U18, V12, V13, V14, V15, V16, V17, V18,	VSS	Power Ground	Ground
F1	AVCC	Analog Power	Analog +2.5 Volt DC Supply
D1	AGND	Analog Ground	Analog Ground
MISC			
D22	SCANCOL	Input	Scans the Collision signal of Home PHY
D23	SCANCLK	Input/ output	Clock for scanning Home PHY collision and link
E23	SCANLINK	Input	Link up signal from Home PHY
F2	RESIN#	Input	Reset Input
G2	RESETOUT#	Output	Reset PHY
AC29, AE28, AJ27, AF27, AJ25, AF24, AH23, AE19, AC27, AF29, AG27, AF26, AG25, AG23, AF23, AG21, AC28, AF28, AH27, AE27, AH25, AE24, AF22, AF20, AD29, AG28, AJ26, AE26, AJ24, AE23, AJ22, AJ20, AD27, AH28, AG26, AE25, AG24, AE22, AJ23, AG20, AD28, AG29, AH26, AF25, AH24, AG22, AH22, AE17, G27, H29, H28, H27, J29, J28, U26, U25, V26, V25, W26, W25, G26, G25, H26, H25, J26, J25, U27, V29, V28, V27, W29, W28, B22, A22, C23, B23, A23, C24, E20, B25	RESERVED	NA	Reserved Pins. Leave unconnected.
Bootstrap Pins (Default = pull up, 1= pull up 0= pull down)			
After reset TSTOUT0 to TSTOU15 are used by the LED interface.			

Ball No(s)	Symbol	I/O	Description
C29	TSTOUT0	Default 1	GIGA Link polarity 0 – active low 1 – active high
D29	TSTOUT1	Default 1	RMII MAC Power Saving Enable 0 – No power saving 1 – power saving
E29	TSTOUT2	Default 1 Recommend disable (0) with pull-down	Giga Half Duplex Support 0 - Disable 1 - Enable
B28	TSTOUT3	Default 1	Module detect enable 0 – Hot swap enable 1 – Hot swap disable
C28	TSTOUT4		Reserved
D28	TSTOUT5	Default 1	Scan Speed: ¼ SCLK or SCLK 0 – ¼ SCLK (HPNA) 1 - SCLK
E28	TSTOUT6	Default 1	CPU Port Mode 0 - 8 bit Bus Mode 1 - 16 bit Bus Mode
A27	TSTOUT7	Default 1	Memory Size 0 - 256 K x 32 or 256 K x 64 (4 M total) 1 - 128 K x 32 or 128 K x 64 (2 M total)
B27	TSTOUT8	Default 1	EEPROM Installed 0 – EEPROM installed 1 – EEPROM not installed
C27	TSTOUT9	Default 1	MCT Aging 0 – MCT aging disable 1 – MCT aging enable
D27	TSTOUT10	Default 1	FCB Aging 0 - FCB aging disable 1 – FCB aging enable
C26	TSTOUT11	Default 1	Timeout Reset 0 – Time out reset disable 1 – Time out reset enable. Issue reset if any state machine did not go back to idle for 5sec.
D26	TSTOUT12		Reserved
D25	TSTOUT13	Default 1	FDB RAM depth (1 or 2 layers) 0 – 2 layer 1 – 1 layer
D24	TSTOUT14	Default 1	CPU installed 0 – CPU installed 1 – CPU not installed

Ball No(s)	Symbol	I/O	Description												
E24	TSTOUT15	Default 1	SRAM Test Mode 0 – Enable test mode 1 – Normal operation												
T26, R26	G0_TXEN, G0_TXER	Default: PCS	Giga0 Mode: G0_TXEN G0_TXER <table style="margin-left: 40px;"> <tr><td>0</td><td>0</td><td>MII</td></tr> <tr><td>0</td><td>1</td><td>RSVD</td></tr> <tr><td>1</td><td>0</td><td>GMII</td></tr> <tr><td>1</td><td>1</td><td>PCS</td></tr> </table>	0	0	MII	0	1	RSVD	1	0	GMII	1	1	PCS
0	0	MII													
0	1	RSVD													
1	0	GMII													
1	1	PCS													
F26, E26	G1_TXEN, G1_TXER	Default: PCS	Giga1 Mode: G1_TXEN G1_TXER <table style="margin-left: 40px;"> <tr><td>0</td><td>0</td><td>MII</td></tr> <tr><td>0</td><td>1</td><td>RSVD</td></tr> <tr><td>1</td><td>0</td><td>GMII</td></tr> <tr><td>1</td><td>1</td><td>PCS</td></tr> </table>	0	0	MII	0	1	RSVD	1	0	GMII	1	1	PCS
0	0	MII													
0	1	RSVD													
1	0	GMII													
1	1	PCS													
AE20, AJ18, AJ21, AJ16, AJ14, AE14, AJ12, AE11, AJ10, AJ8, AE8, AJ6, AE5, AJ4, AG1, AE1,	M[15:0]_TXEN	Default: RMII	0 – GPSI 1 - RMII												
C21	P_D	Must be pulled-down	Reserved - Must be pulled-down												
C19, B19, A19	OE_CLK[2:0]	Default: 111	Programmable delay for internal OE_CLK from SCLK input. The OE_CLK is used for generating the OE0 and OE1 signals Suggested value is 001.												
C20, B20, A20	LA_CLK[2:0]	Default: 111	Programmable delay for LA_CLK and LB_CLK from internal OE_CLK. The LA_CLK and LB_CLK delay from SCLK is the sum of the delay programmed in here and the delay in P_D[15:13]. Suggested value is 011.												

Notes:

=Active low signal

Input = Input Signal

In-ST =Input signal with Schmitt-Trigger

Output = Output signal (Tri-State driver)

Out-OD = Output signal with Open-Drain driver

I/O-TS = Input & Output signal with Tri-State driver

I/O-OD = Input & Output signal with Open-Drain driver

15.3 Ball – Signal Name in Unmanaged Mode

Ball No.	Signal Name	Ball No.	Signal Name	Ball No.	Signal Name
D20	LA_D[63]	D3	LA_D[19]	A9	LA_OE0#
B21	LA_D[62]	E3	LA_D[18]	B9	LA_OE1#
D19	LA_D[61]	D2	LA_D[17]	F4	LB_D[63]
E19	LA_D[60]	E2	LA_D[16]	F5	LB_D[62]
D18	LA_D[59]	A7	LA_D[15]	G4	LB_D[61]
E18	LA_D[58]	B7	LA_D[14]	G5	LB_D[60]
D17	LA_D[57]	A6	LA_D[13]	H4	LB_D[59]
E17	LA_D[56]	B6	LA_D[12]	H5	LB_D[58]
D16	LA_D[55]	C6	LA_D[11]	J4	LB_D[57]
E16	LA_D[54]	A5	LA_D[10]	J5	LB_D[56]
D15	LA_D[53]	B5	LA_D[9]	K4	LB_D[55]
E15	LA_D[52]	C5	LA_D[8]	K5	LB_D[54]
D14	LA_D[51]	A4	LA_D[7]	L4	LB_D[53]
E14	LA_D[50]	B4	LA_D[6]	L5	LB_D[52]
D13	LA_D[49]	C4	LA_D[5]	M4	LB_D[51]
E13	LA_D[48]	A3	LA_D[4]	M5	LB_D[50]
D21	LA_D[47]	B3	LA_D[3]	N4	LB_D[49]
E21	LA_D[46]	C3	LA_D[2]	N5	LB_D[48]
A18	LA_D[45]	B2	LA_D[1]	G3	LB_D[47]
B18	LA_D[44]	C2	LA_D[0]	H1	LB_D[46]
C18	LA_D[43]	C14	LA_A[20]	H2	LB_D[45]
A17	LA_D[42]	A13	LA_A[19]	H3	LB_D[44]
B17	LA_D[41]	B13	LA_A[18]	J1	LB_D[43]
C17	LA_D[40]	C13	LA_A[17]	J2	LB_D[42]
A16	LA_D[39]	A12	LA_A[16]	J3	LB_D[41]
B16	LA_D[38]	B12	LA_A[15]	K1	LB_D[40]
C16	LA_D[37]	C12	LA_A[14]	K2	LB_D[39]
A15	LA_D[36]	A11	LA_A[13]	K3	LB_D[38]
B15	LA_D[35]	B11	LA_A[12]	L1	LB_D[37]
C15	LA_D[34]	C11	LA_A[11]	L2	LB_D[36]
A14	LA_D[33]	D11	LA_A[10]	L3	LB_D[35]
B14	LA_D[32]	E11	LA_A[9]	M1	LB_D[34]

Ball No.	Signal Name	Ball No.	Signal Name	Ball No.	Signal Name
D9	LA_D[31]	A10	LA_A[8]	M2	LB_D[33]
E9	LA_D[30]	B10	LA_A[7]	M3	LB_D[32]
D8	LA_D[29]	D10	LA_A[6]	U4	LB_D[31]
E8	LA_D[28]	E10	LA_A[5]	U5	LB_D[30]
D7	LA_D[27]	A8	LA_A[4]	V4	LB_D[29]
E7	LA_D[26]	C7	LA_A[3]	V5	LB_D[28]
D6	LA_D[25]	B8	LA_DSC#	W4	LB_D[27]
E6	LA_D[24]	C1	LA_CLK	W5	LB_D[26]
D5	LA_D[23]	C9	LA_WE#	Y4	LB_D[25]
E5	LA_D[22]	D12	LA_WE0#	Y5	LB_D[24]
D4	LA_D[21]	E12	LA_WE1#	AA4	LB_D[23]
E4	LA_D[20]	C8	LA_OE#	AA5	LB_D[22]
AB4	LB_D[21]	U2	LB_OE1#	AH7	M[4]_RXD[0]
AB5	LB_D[20]	R28	MDC	AE6	M[3]_RXD[0]
AC4	LB_D[19]	P28	MDIO	AH5	M[2]_RXD[0]
AC5	LB_D[18]	R29	M_CLK	AH2	M[1]_RXD[0]
AD4	LB_D[17]	AC29	RESERVED	AF2	M[0]_RXD[0]
AD5	LB_D[16]	AE28	RESERVED	AC27	RESERVED
W1	LB_D[15]	AJ27	RESERVED	AF29	RESERVED
Y1	LB_D[14]	AF27	RESERVED	AG27	RESERVED
Y2	LB_D[13]	AJ25	RESERVED	AF26	RESERVED
Y3	LB_D[12]	AF24	RESERVED	AG25	RESERVED
AA1	LB_D[11]	AH23	RESERVED	AG23	RESERVED
AA2	LB_D[10]	AE19	RESERVED	AF23	RESERVED
AA3	LB_D[9]	AF21	M[15]_RXD[1]	AG21	RESERVED
AB1	LB_D[8]	AJ19	M[14]_RXD[1]	AH21	M[15]_CRS_DV
AB2	LB_D[7]	AF18	M[13]_RXD[1]	AF19	M[14]_CRS_DV
AB3	LB_D[6]	AJ17	M[12]_RXD[1]	AF17	M[13]_CRS_DV
AC1	LB_D[5]	AJ15	M[11]_RXD[1]	AG17	M[12]_CRS_DV
AC2	LB_D[4]	AF15	M[10]_RXD[1]	AG15	M[11]_CRS_DV
AC3	LB_D[3]	AJ13	M[9]_RXD[1]	AF14	M[10]_CRS_DV
AD1	LB_D[2]	AF12	M[8]_RXD[1]	AG13	M[9]_CRS_DV
AD2	LB_D[1]	AJ11	M[7]_RXD[1]	AF11	M[8]_CRS_DV

Ball No.	Signal Name	Ball No.	Signal Name	Ball No.	Signal Name
AD3	LB_D[0]	AJ9	M[6]_RXD[1]	AG11	M[7]_CRS_DV
N3	LB_A[20]	AF9	M[5]_RXD[1]	AG9	M[6]_CRS_DV
N2	LB_A[19]	AJ7	M[4]_RXD[1]	AF8	M[5]_CRS_DV
N1	LB_A[18]	AF6	M[3]_RXD[1]	AG7	M[4]_CRS_DV
P3	LB_A[17]	AJ5	M[2]_RXD[1]	AF5	M[3]_CRS_DV
P2	LB_A[16]	AJ3	M[1]_RXD[1]	AG5	M[2]_CRS_DV
P1	LB_A[15]	AF1	M[0]_RXD[1]	AH3	M[1]_CRS_DV
R5	LB_A[14]	AC28	RESERVED	AF3	M[0]_CRS_DV
R4	LB_A[13]	AF28	RESERVED	AD29	RESERVED
R3	LB_A[12]	AH27	RESERVED	AG28	RESERVED
R2	LB_A[11]	AE27	RESERVED	AJ26	RESERVED
R1	LB_A[10]	AH25	RESERVED	AE26	RESERVED
T5	LB_A[9]	AE24	RESERVED	AJ24	RESERVED
T4	LB_A[8]	AF22	RESERVED	AE23	RESERVED
T3	LB_A[7]	AF20	RESERVED	AJ22	RESERVED
T2	LB_A[6]	AE21	M[15]_RXD[0]	AJ20	RESERVED
T1	LB_A[5]	AH19	M[14]_RXD[0]	AE20	M[15]_TXEN
W3	LB_A[4]	AH20	M[13]_RXD[0]	AJ18	M[14]_TXEN
W2	LB_A[3]	AH17	M[12]_RXD[0]	AJ21	M[13]_TXEN
V1	LB_ADSC#	AH15	M[11]_RXD[0]	AJ16	M[12]_TXEN
G1	LB_CLK	AE15	M[10]_RXD[0]	AJ14	M[11]_TXEN
V3	LB_WE#	AH13	M[9]_RXD[0]	AE14	M[10]_TXEN
P4	LB_WE0#	AE12	M[8]_RXD[0]	AJ12	M[9]_TXEN
P5	LB_WE1#	AH11	M[7]_RXD[0]	AE11	M[8]_TXEN
V2	LB_OE#	AH9	M[6]_RXD[0]	AJ10	M[7]_TXEN
U1	LB_OE0#	AE9	M[5]_RXD[0]	AJ8	M[6]_TXEN
AE8	M[5]_TXEN	AH8	M[6]_TXD[0]	G27	RESERVED
AJ6	M[4]_TXEN	AF7	M[5]_TXD[0]	H29	RESERVED
AE5	M[3]_TXEN	AH6	M[4]_TXD[0]	H28	RESERVED
AJ4	M[2]_TXEN	AF4	M[3]_TXD[0]	H27	RESERVED
AG1	M[1]_TXEN	AH4	M[2]_TXD[0]	J29	RESERVED
AE1	M[0]_TXEN	AG2	M[1]_TXD[0]	J28	RESERVED
AD27	RESERVED	AE2	M[0]_TXD[0]	J27	M26_RXD[9]

Ball No.	Signal Name	Ball No.	Signal Name	Ball No.	Signal Name
AH28	RESERVED	U26	RESERVED	K29	M26_RXD[8]
AG26	RESERVED	U25	RESERVED	K28	M26_RXD[7]
AE25	RESERVED	V26	RESERVED	K27	M26_RXD[6]
AG24	RESERVED	V25	RESERVED	L29	M26_RXD[5]
AE22	RESERVED	W26	RESERVED	L28	M26_RXD[4]
AJ23	RESERVED	W25	RESERVED	L27	M26_RXD[3]
AG20	RESERVED	Y27	M25_TXD[9]	M29	M26_RXD[2]
AE18	M[15]_TXD[1]	Y26	M25_TXD[8]	M28	M26_RXD[1]
AG18	M[14]_TXD[1]	AA26	M25_TXD[7]	M27	M26_RXD[0]
AE16	M[13]_TXD[1]	AA25	M25_TXD[6]	G26	RESERVED
AG16	M[12]_TXD[1]	AB26	M25_TXD[5]	G25	RESERVED
AG14	M[11]_TXD[1]	AB25	M25_TXD[4]	H26	RESERVED
AE13	M[10]_TXD[1]	AC26	M25_TXD[3]	H25	RESERVED
AG12	M[9]_TXD[1]	AC25	M25_TXD[2]	J26	RESERVED
AE10	M[8]_TXD[1]	AD26	M25_TXD[1]	J25	RESERVED
AG10	M[7]_TXD[1]	AD25	M25_TXD[0]	K25	M26_TXD[9]
AG8	M[6]_TXD[1]	U27	RESERVED	K26	M26_TXD[8]
AE7	M[5]_TXD[1]	V29	RESERVED	M25	M26_TXD[7]
AG6	M[4]_TXD[1]	V28	RESERVED	L26	M26_TXD[6]
AE4	M[3]_TXD[1]	V27	RESERVED	M26	M26_TXD[5]
AG4	M[2]_TXD[1]	W29	RESERVED	L25	M26_TXD[4]
AG3	M[1]_TXD[1]	W28	RESERVED	N26	M26_TXD[3]
AE3	M[0]_TXD[1]	W27	M25_RXD[9]	N25	M26_TXD[2]
AD28	RESERVED	Y29	M25_RXD[8]	P26	M26_TXD[1]
AG29	RESERVED	Y28	M25_RXD[7]	P25	M26_TXD[0]
AH26	RESERVED	Y25	M25_RXD[6]	F28	M26_RX_DV
AF25	RESERVED	AA29	M25_RXD[5]	G28	M26_RX_ER
AH24	RESERVED	AA28	M25_RXD[4]	E25	M26_CRG
AG22	RESERVED	AA27	M25_RXD[3]	G29	M26_COL
AH22	RESERVED	AB29	M25_RXD[2]	F29	M26_RXCLK
AE17	RESERVED	AB28	M25_RXD[1]	F26	M26_TX_EN
AG19	M[15]_TXD[0]	AB27	M25_RXD[0]	E26	M26_TX_ER
AH18	M[14]_TXD[0]	R26	M25_TX_ER	F25	M26_TXCLK

Ball No.	Signal Name	Ball No.	Signal Name	Ball No.	Signal Name
AF16	M[13]_TXD[0]	T25	M25_TXCLK	E24	BIST_DONE/TSTOUT[15]
AH16	M[12]_TXD[0]	T26	M25_TX_EN	D24	BIST_IN_PRC/TSTOUT[14]
AH14	M[11]_TXD[0]	T28	M25_RX_DV	D25	MCT_ERR/TSTOUT[13]
AF13	M[10]_TXD[0]	U28	M25_RX_ER	D26	FCB_ERR/TSTOUT[12]
AH12	M[9]_TXD[0]	R25	M25_CRS	C26	CHECKSUM_OK/TSTOUT[11]
AF10	M[8]_TXD[0]	U29	M25_COL	D27	INIT_START/TSTOUT[10]
AH10	M[7]_TXD[0]	T29	M25_RXCLK	C27	INIT_DONE/TSTOUT[9]
B27	G2_LINK#/TSTOUT[8]	U18	VSS	N12	VSS
A27	G2_DPCOL#/TSTOUT[7]	V12	VSS	N13	VSS
E28	G2_RXTX#/TSTOUT[6]	V13	VSS	K17	VDD
D28	G1_LINK#/TSTOUT[5]	V14	VSS	K18	VDD
C28	G1_DPCOL#/TSTOUT[4]	V15	VSS	M10	VDD
B28	G1_RXTX#/TSTOUT[3]	V16	VSS	N10	VDD
E29	LED_BIT/TSTOUT[2]	V17	VSS	M20	VDD
D29	LED_SYN/TSTOUT[1]	V18	VSS	N20	VDD
C29	LED_CLK/TSTOUT[0]	N14	VSS	U10	VDD
N29	REF_CLK1	N15	VSS	V10	VDD
P29	REF_CLK0	N16	VSS	U20	VDD
F3	SCAN_EN	N17	VSS	V20	VDD
E1	SCLK	N18	VSS	Y12	VDD
U3	T_MODE0	P12	VSS	Y13	VDD
C10	T_MODE1	P13	VSS	Y17	VDD
B24	TRUNK2	P14	VSS	Y18	VDD
A21	TRUNK1	P15	VSS	K12	VDD
C22	TRUNK0	P16	VSS	K13	VDD
A26	STROBE	C19	OE_CLK2	M16	VSS
B26	D0	B19	OE_CLK1	M17	VSS
C25	AUTOFD	A19	OE_CLK0	M18	VSS
A24	SCL	R13	VSS	F16	VCC
A25	SDA	R14	VSS	F17	VCC
F1	AVCC	R15	VSS	N6	VCC

Ball No.	Signal Name	Ball No.	Signal Name	Ball No.	Signal Name
D1	AGND	R16	VSS	P6	VCC
D22	SCANCOL	R17	VSS	R6	VCC
E23	SCANLINK	R18	VSS	T6	VCC
E27	SCANMODE	T12	VSS	U6	VCC
N28		T13	VSS	N24	VCC
N27		T14	VSS	P24	VCC
F2	RESIN#	T15	VSS	R24	VCC
G2	RESETOUT#	T16	VSS	T24	VCC
B22	Reserved	T17	VSS	U24	VCC
A22	Reserved	T18	VSS	AD13	VCC
C23	Reserved	U12	VSS	AD14	VCC
B23	Reserved	U13	VSS	AD15	VCC
A23	Reserved	U14	VSS	AD16	VCC
C24	Reserved	U15	VSS	AD17	VCC
D23	SCANCLK	U16	VSS	F13	VCC
T27	M25_MTXCLK	U17	VSS	F14	VCC
F27	M26_MTXCLK	M12	VSS	F15	VCC
C20	LA_CLK2	M13	VSS		
B20	LA_CLK1	M14	VSS		
A20	LA_CLK0	M15	VSS		
C21	P_D	P17	VSS		
E20	RESERVED	P18	VSS		
B25	RESERVED	R12	VSS		

15.4 Ball – Signal Name in Managed Mode

Ball No.	Signal Name	Ball No.	Signal Name	Ball No.	Signal Name
D20	LA_D[63]	D3	LA_D[19]	A9	LA_OE0#
B21	LA_D[62]	E3	LA_D[18]	B9	LA_OE1#
D19	LA_D[61]	D2	LA_D[17]	F4	LB_D[63]
E19	LA_D[60]	E2	LA_D[16]	F5	LB_D[62]
D18	LA_D[59]	A7	LA_D[15]	G4	LB_D[61]
E18	LA_D[58]	B7	LA_D[14]	G5	LB_D[60]
D17	LA_D[57]	A6	LA_D[13]	H4	LB_D[59]
E17	LA_D[56]	B6	LA_D[12]	H5	LB_D[58]
D16	LA_D[55]	C6	LA_D[11]	J4	LB_D[57]
E16	LA_D[54]	A5	LA_D[10]	J5	LB_D[56]
D15	LA_D[53]	B5	LA_D[9]	K4	LB_D[55]
E15	LA_D[52]	C5	LA_D[8]	K5	LB_D[54]
D14	LA_D[51]	A4	LA_D[7]	L4	LB_D[53]
E14	LA_D[50]	B4	LA_D[6]	L5	LB_D[52]
D13	LA_D[49]	C4	LA_D[5]	M4	LB_D[51]
E13	LA_D[48]	A3	LA_D[4]	M5	LB_D[50]
D21	LA_D[47]	B3	LA_D[3]	N4	LB_D[49]
E21	LA_D[46]	C3	LA_D[2]	N5	LB_D[48]
A18	LA_D[45]	B2	LA_D[1]	G3	LB_D[47]
B18	LA_D[44]	C2	LA_D[0]	H1	LB_D[46]
C18	LA_D[43]	C14	LA_A[20]	H2	LB_D[45]
A17	LA_D[42]	A13	LA_A[19]	H3	LB_D[44]
B17	LA_D[41]	B13	LA_A[18]	J1	LB_D[43]
C17	LA_D[40]	C13	LA_A[17]	J2	LB_D[42]
A16	LA_D[39]	A12	LA_A[16]	J3	LB_D[41]
B16	LA_D[38]	B12	LA_A[15]	K1	LB_D[40]
C16	LA_D[37]	C12	LA_A[14]	K2	LB_D[39]
A15	LA_D[36]	A11	LA_A[13]	K3	LB_D[38]
B15	LA_D[35]	B11	LA_A[12]	L1	LB_D[37]
C15	LA_D[34]	C11	LA_A[11]	L2	LB_D[36]
A14	LA_D[33]	D11	LA_A[10]	L3	LB_D[35]

Ball No.	Signal Name	Ball No.	Signal Name	Ball No.	Signal Name
B14	LA_D[32]	E11	LA_A[9]	M1	LB_D[34]
D9	LA_D[31]	A10	LA_A[8]	M2	LB_D[33]
E9	LA_D[30]	B10	LA_A[7]	M3	LB_D[32]
D8	LA_D[29]	D10	LA_A[6]	U4	LB_D[31]
E8	LA_D[28]	E10	LA_A[5]	U5	LB_D[30]
D7	LA_D[27]	A8	LA_A[4]	V4	LB_D[29]
E7	LA_D[26]	C7	LA_A[3]	V5	LB_D[28]
D6	LA_D[25]	B8	LA_DSC#	W4	LB_D[27]
E6	LA_D[24]	C1	LA_CLK	W5	LB_D[26]
D5	LA_D[23]	C9	LA_WE#	Y4	LB_D[25]
E5	LA_D[22]	D12	LA_WE0#	Y5	LB_D[24]
D4	LA_D[21]	E12	LA_WE1#	AA4	LB_D[23]
E4	LA_D[20]	C8	LA_OE#	AA5	LB_D[22]
AB4	LB_D[21]	U2	LB_OE1#	AH7	M[4]_RXD[0]
AB5	LB_D[20]	R28	MDC	AE6	M[3]_RXD[0]
AC4	LB_D[19]	P28	MDIO	AH5	M[2]_RXD[0]
AC5	LB_D[18]	R29	M_CLK	AH2	M[1]_RXD[0]
AD4	LB_D[17]	AC29	RESERVED	AF2	M[0]_RXD[0]
AD5	LB_D[16]	AE28	RESERVED	AC27	RESERVED
W1	LB_D[15]	AJ27	RESERVED	AF29	RESERVED
Y1	LB_D[14]	AF27	RESERVED	AG27	RESERVED
Y2	LB_D[13]	AJ25	RESERVED	AF26	RESERVED
Y3	LB_D[12]	AF24	RESERVED	AG25	RESERVED
AA1	LB_D[11]	AH23	RESERVED	AG23	RESERVED
AA2	LB_D[10]	AE19	RESERVED	AF23	RESERVED
AA3	LB_D[9]	AF21	M[15]_RXD[1]	AG21	RESERVED
AB1	LB_D[8]	AJ19	M[14]_RXD[1]	AH21	M[15]_CRS_DV
AB2	LB_D[7]	AF18	M[13]_RXD[1]	AF19	M[14]_CRS_DV
AB3	LB_D[6]	AJ17	M[12]_RXD[1]	AF17	M[13]_CRS_DV
AC1	LB_D[5]	AJ15	M[11]_RXD[1]	AG17	M[12]_CRS_DV
AC2	LB_D[4]	AF15	M[10]_RXD[1]	AG15	M[11]_CRS_DV
AC3	LB_D[3]	AJ13	M[9]_RXD[1]	AF14	M[10]_CRS_DV

Ball No.	Signal Name	Ball No.	Signal Name	Ball No.	Signal Name
AD1	LB_D[2]	AF12	M[8]_RXD[1]	AG13	M[9]_CRS_DV
AD2	LB_D[1]	AJ11	M[7]_RXD[1]	AF11	M[8]_CRS_DV
AD3	LB_D[0]	AJ9	M[6]_RXD[1]	AG11	M[7]_CRS_DV
N3	LB_A[20]	AF9	M[5]_RXD[1]	AG9	M[6]_CRS_DV
N2	LB_A[19]	AJ7	M[4]_RXD[1]	AF8	M[5]_CRS_DV
N1	LB_A[18]	AF6	M[3]_RXD[1]	AG7	M[4]_CRS_DV
P3	LB_A[17]	AJ5	M[2]_RXD[1]	AF5	M[3]_CRS_DV
P2	LB_A[16]	AJ3	M[1]_RXD[1]	AG5	M[2]_CRS_DV
P1	LB_A[15]	AF1	M[0]_RXD[1]	AH3	M[1]_CRS_DV
R5	LB_A[14]	AC28	RESERVED	AF3	M[0]_CRS_DV
R4	LB_A[13]	AF28	RESERVED	AD29	RESERVED
R3	LB_A[12]	AH27	RESERVED	AG28	RESERVED
R2	LB_A[11]	AE27	RESERVED	AJ26	RESERVED
R1	LB_A[10]	AH25	RESERVED	AE26	RESERVED
T5	LB_A[9]	AE24	RESERVED	AJ24	RESERVED
T4	LB_A[8]	AF22	RESERVED	AE23	RESERVED
T3	LB_A[7]	AF20	RESERVED	AJ22	RESERVED
T2	LB_A[6]	AE21	M[15]_RXD[0]	AJ20	RESERVED
T1	LB_A[5]	AH19	M[14]_RXD[0]	AE20	M[15]_TXEN
W3	LB_A[4]	AH20	M[13]_RXD[0]	AJ18	M[14]_TXEN
W2	LB_A[3]	AH17	M[12]_RXD[0]	AJ21	M[13]_TXEN
V1	LB_ADSC#	AH15	M[11]_RXD[0]	AJ16	M[12]_TXEN
G1	LB_CLK	AE15	M[10]_RXD[0]	AJ14	M[11]_TXEN
V3	LB_WE#	AH13	M[9]_RXD[0]	AE14	M[10]_TXEN
P4	LB_WE0#	AE12	M[8]_RXD[0]	AJ12	M[9]_TXEN
P5	LB_WE1#	AH11	M[7]_RXD[0]	AE11	M[8]_TXEN
V2	LB_OE#	AH9	M[6]_RXD[0]	AJ10	M[7]_TXEN
U1	LB_OE0#	AE9	M[5]_RXD[0]	AJ8	M[6]_TXEN
AE8	M[5]_TXEN	AH8	M[6]_TXD[0]	G27	RESERVED
AJ6	M[4]_TXEN	AF7	M[5]_TXD[0]	H29	RESERVED
AE5	M[3]_TXEN	AH6	M[4]_TXD[0]	H28	RESERVED
AJ4	M[2]_TXEN	AF4	M[3]_TXD[0]	H27	RESERVED

Ball No.	Signal Name	Ball No.	Signal Name	Ball No.	Signal Name
AG1	M[1]_TXEN	AH4	M[2]_TXD[0]	J29	RESERVED
AE1	M[0]_TXEN	AG2	M[1]_TXD[0]	J28	RESERVED
AD27	RESERVED	AE2	M[0]_TXD[0]	J27	M26_RXD[9]
AH28	RESERVED	U26	RESERVED	K29	M26_RXD[8]
AG26	RESERVED	U25	RESERVED	K28	M26_RXD[7]
AE25	RESERVED	V26	RESERVED	K27	M26_RXD[6]
AG24	RESERVED	V25	RESERVED	L29	M26_RXD[5]
AE22	RESERVED	W26	RESERVED	L28	M26_RXD[4]
AJ23	RESERVED	W25	RESERVED	L27	M26_RXD[3]
AG20	RESERVED	Y27	M25_TXD[9]	M29	M26_RXD[2]
AE18	M[15]_TXD[1]	Y26	M25_TXD[8]	M28	M26_RXD[1]
AG18	M[14]_TXD[1]	AA26	M25_TXD[7]	M27	M26_RXD[0]
AE16	M[13]_TXD[1]	AA25	M25_TXD[6]	G26	RESERVED
AG16	M[12]_TXD[1]	AB26	M25_TXD[5]	G25	RESERVED
AG14	M[11]_TXD[1]	AB25	M25_TXD[4]	H26	RESERVED
AE13	M[10]_TXD[1]	AC26	M25_TXD[3]	H25	RESERVED
AG12	M[9]_TXD[1]	AC25	M25_TXD[2]	J26	RESERVED
AE10	M[8]_TXD[1]	AD26	M25_TXD[1]	J25	RESERVED
AG10	M[7]_TXD[1]	AD25	M25_TXD[0]	K25	M26_TXD[9]
AG8	M[6]_TXD[1]	U27	RESERVED	K26	M26_TXD[8]
AE7	M[5]_TXD[1]	V29	RESERVED	M25	M26_TXD[7]
AG6	M[4]_TXD[1]	V28	RESERVED	L26	M26_TXD[6]
AE4	M[3]_TXD[1]	V27	RESERVED	M26	M26_TXD[5]
AG4	M[2]_TXD[1]	W29	RESERVED	L25	M26_TXD[4]
AG3	M[1]_TXD[1]	W28	RESERVED	N26	M26_TXD[3]
AE3	M[0]_TXD[1]	W27	M25_RXD[9]	N25	M26_TXD[2]
AD28	RESERVED	Y29	M25_RXD[8]	P26	M26_TXD[1]
AG29	RESERVED	Y28	M25_RXD[7]	P25	M26_TXD[0]
AH26	RESERVED	Y25	M25_RXD[6]	F28	M26_RX_DV
AF25	RESERVED	AA29	M25_RXD[5]	G28	M26_RX_ER
AH24	RESERVED	AA28	M25_RXD[4]	E25	M26_CRS
AG22	RESERVED	AA27	M25_RXD[3]	G29	M26_COL

Ball No.	Signal Name	Ball No.	Signal Name	Ball No.	Signal Name
AH22	RESERVED	AB29	M25_RXD[2]	F29	M26_RXCLK
AE17	RESERVED	AB28	M25_RXD[1]	F26	M26_TX_EN
AG19	M[15]_TXD[0]	AB27	M25_RXD[0]	E26	M26_TX_ER
AH18	M[14]_TXD[0]	R26	M25_TX_ER	F25	M26_TXCLK
AF16	M[13]_TXD[0]	T25	M25_TXCLK	E24	BIST_DONE/TSTOUT[15]
AH16	M[12]_TXD[0]	T26	M25_TX_EN	D24	BIST_IN_PRC/TSTOUT[14]
AH14	M[11]_TXD[0]	T28	M25_RX_DV	D25	MCT_ERR/TSTOUT[13]
AF13	M[10]_TXD[0]	U28	M25_RX_ER	D26	FCB_ERR/TSTOUT[12]
AH12	M[9]_TXD[0]	R25	M25_CRIS	C26	CHECKSUM_OK/TSTOUT[11]
AF10	M[8]_TXD[0]	U29	M25_COL	D27	INIT_START/TSTOUT[10]
AH10	M[7]_TXD[0]	T29	M25_RXCLK	C27	INIT_DONE/TSTOUT[9]
B27	G2_LINK#/TSTOUT[8]	U18	VSS	N12	VSS
A27	G2_DPCOL#/TSTOUT[7]	V12	VSS	N13	VSS
E28	G2_RXTX#/TSTOUT[6]	V13	VSS	K17	VDD
D28	G1_LINK#/TSTOUT[5]	V14	VSS	K18	VDD
C28	G1_DPCOL#/TSTOUT[4]	V15	VSS	M10	VDD
B28	G1_RXTX#/TSTOUT[3]	V16	VSS	N10	VDD
E29	LED_BIT/TSTOUT[2]	V17	VSS	M20	VDD
D29	LED_SYN/TSTOUT[1]	V18	VSS	N20	VDD
C29	LED_CLK/TSTOUT[0]	N14	VSS	U10	VDD
N29	REF_CLK1	N15	VSS	V10	VDD
P29	REF_CLK0	C19	P_DATA15	U20	VDD
F3	SCAN_EN	B19	P_DATA14	V20	VDD
E1	SCLK	A19	P_DATA13	Y12	VDD
U3	T_MODE0	P12	VSS	Y13	VDD
C10	T_MODE1	P13	VSS	Y17	VDD
B24	P_DATA6	P14	VSS	Y18	VDD
A21	P_DATA7	P15	VSS	K12	VDD
C22	P_A2	P16	VSS	K13	VDD

Ball No.	Signal Name	Ball No.	Signal Name	Ball No.	Signal Name
A26	P_WE	N16	VSS	M16	VSS
B26	P_RD	N17	VSS	M17	VSS
C25	P_CS	N18	VSS	M18	VSS
A24	P_A1	R13	VSS	F16	VCC
A25	P_A0	R14	VSS	F17	VCC
F1	AVCC	R15	VSS	N6	VCC
D1	AGND	R16	VSS	P6	VCC
D22	SCANCOL	R17	VSS	R6	VCC
E23	SCANLINK	R18	VSS	T6	VCC
E27	SCANMODE	T12	VSS	U6	VCC
N28		T13	VSS	N24	VCC
N27		T14	VSS	P24	VCC
F2	RESIN#	T15	VSS	R24	VCC
G2	RESETOUT#	T16	VSS	T24	VCC
B22	P_DATA5	T17	VSS	U24	VCC
A22	P_DATA4	T18	VSS	AD13	VCC
C23	P_DATA3	U12	VSS	AD14	VCC
B23	P_DATA2	U13	VSS	AD15	VCC
A23	P_DATA1	U14	VSS	AD16	VCC
C24	P_DATA0	U15	VSS	AD17	VCC
D23	SCANCLK	U16	VSS	F13	VCC
T27	M25_MTXCLK	U17	VSS	F14	VCC
F27	M26_MTXCLK	M12	VSS	F15	VCC
C20	P_DATA12	M13	VSS		
B20	P_DATA11	M14	VSS		
A20	P_DATA10	M15	VSS		
C21	P_DATA9	P17	VSS		
E20	P_DATA8	P18	VSS		
B25	P_INT	R12	VSS		

15.5 AC/DC Timing

15.5.1 Absolute Maximum Ratings

Storage Temperature	-65°C to +150°C
Operating Temperature	-40°C to +85°C
Maximum Junction Temperature	+125°C
Supply Voltage VCC with Respect to V _{SS}	+3.0 V to +3.6 V
Supply Voltage VDD with Respect to V _{SS}	+2.38 V to +2.75 V
Voltage on Input Pins	-0.5 V to (VCC + 3.3 V)

Caution: Stress above those listed may damage the device. Exposure to the Absolute Maximum Ratings for extended periods may affect device reliability. Functionality at or above these limits is not implied.

15.5.2 DC Electrical Characteristics

VCC = 3.0 V to 3.6 V (3.3V +/- 10%) T_{AMBIENT} = -40C to +85 C

VDD = 2.5 V +10% - 5%

15.5.3 Recommended Operating Conditions

Symbol	Parameter Description	Min.	Typ.	Max.	Unit
f _{osc}	Frequency of Operation (-50)		100		MHz
I _{CC}	Supply Current – @ 100 MHz (VCC=3.3 V)			350	mA
I _{DD}	Supply Current – @ 100 MHz (VDD=2.5 V)			1400	mA
V _{OH}	Output High Voltage (CMOS)	2.4			V
V _{OL}	Output Low Voltage (CMOS)			0.4	V
V _{IH-TTL}	Input High Voltage (TTL 5 V tolerant)	2.0		VCC + 2.0	V
V _{IL-TTL}	Input Low Voltage (TTL 5 V tolerant)			0.8	V
I _{IL}	Input Leakage Current (0.1 V < V _{IN} < VCC) (all pins except those with internal pull-up/pull-down resistors)			10	μA
I _{OL}	Output Leakage Current (0.1 V < V _{OUT} < VCC)			10	μA
C _{IN}	Input Capacitance			5	pF
C _{OUT}	Output Capacitance			5	pF
C _{I/O}	I/O Capacitance			7	pF
θ _{ja}	Thermal resistance with 0 air flow			11.2	C/W
θ _{ja}	Thermal resistance with 1 m/s air flow			10.2	C/W
θ _{ja}	Thermal resistance with 2 m/s air flow			8.9	C/W
θ _{jc}	Thermal resistance between junction and case			3.1	C/W

Symbol	Parameter Description	Min.	Typ.	Max.	Unit
θ_{jb}	Thermal resistance between junction and board			6.6	C/W

15.5.4 Typical Reset & Bootstrap Timing Diagram

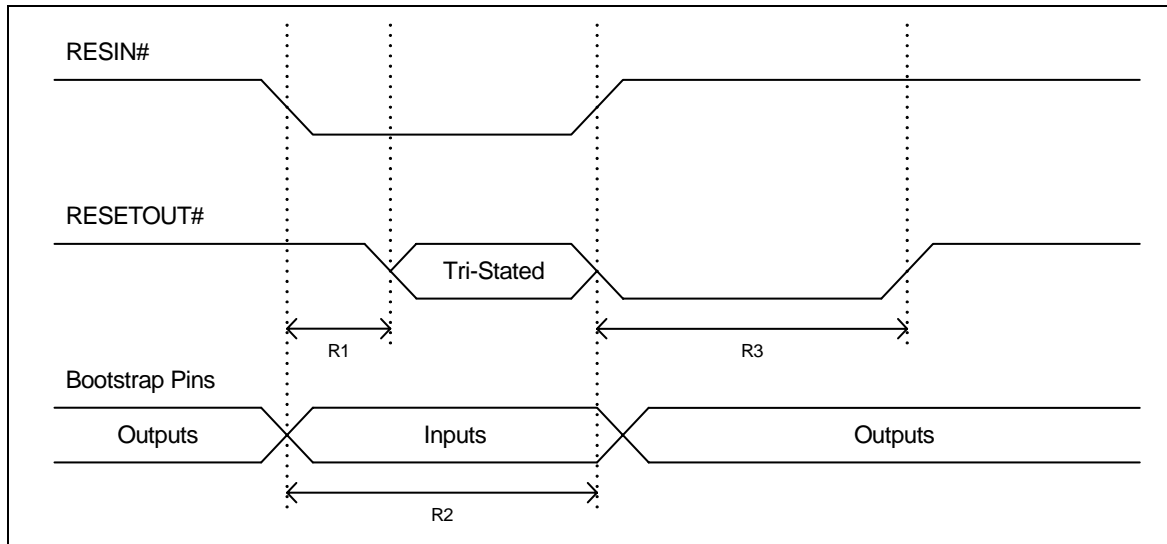


Figure 18 - Typical Reset & Bootstrap Timing Diagram

Symbol	Parameter	Min.	Typ.	Note:
R1	Delay until RESETOUT# is tri-stated		10 ns	RESETOUT# state is then determined by the external pull-up/down resistor
R2	Bootstrap stabilization	1 μ s	10 μ s	Bootstrap pins sampled on rising edge of RESIN# ¹
R3	RESETOUT# assertion		2 ms	

Table 16 - Reset & Bootstrap Timing

1. The TSTOUT[8:0] pins will switch over to the LED interface functionality in 3 SCLK cycles after RESIN# goes high

15.5.5 Typical CPU Timing Diagram for a CPU Write Cycle

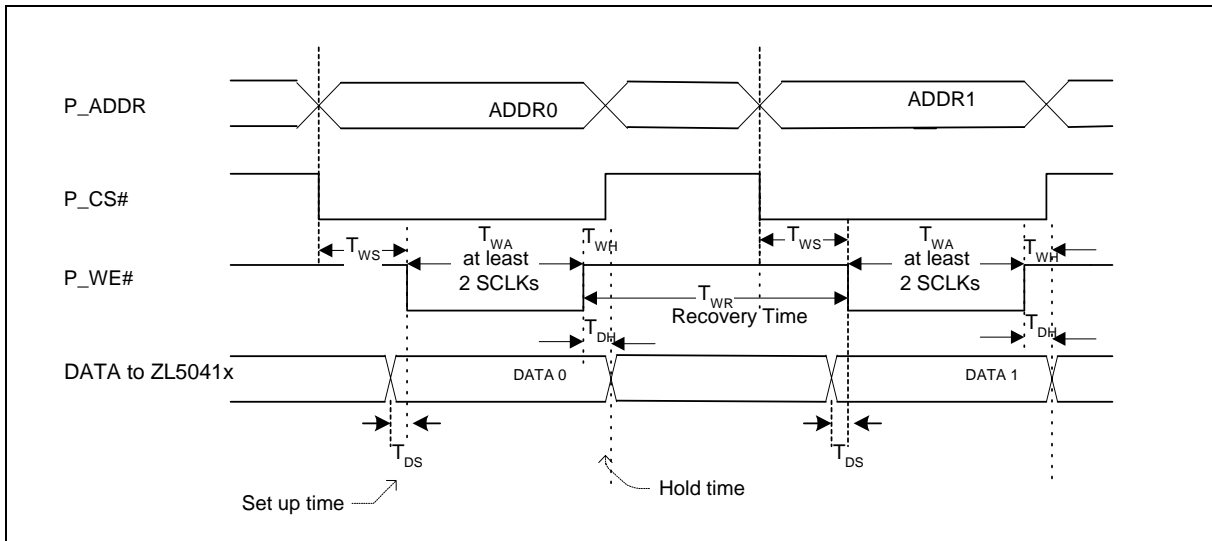


Figure 19 - Typical CPU Timing Diagram for a CPU Write Cycle

Description		(SCLK=100 Mhz)		Refer to Figure 19
Write Cycle	Symbol	Min.	Max.	
Write Set up Time	T _{WS}	10		
Write Active Time	T _{WA}	20		At least 2 SCLK
Write Hold Time	T _{WH}	2		
Write Recovery time	T _{WR}	30		At least 3 SCLK
Data Set Up time	T _{DS}	10		
Data Hold time	T _{DH}	2		

Table 17 - Write Cycle

15.5.6 Typical CPU Timing Diagram for a CPU Read Cycle

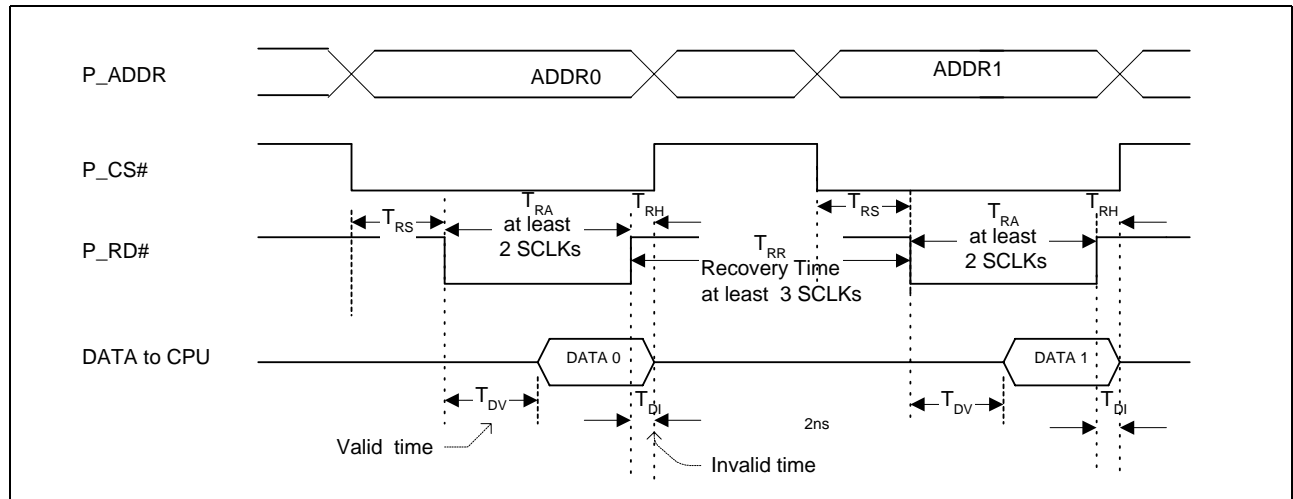


Figure 20 - Typical CPU Timing Diagram for a CPU Read Cycle

Description		(SCLK=100 Mhz)		Refer to Figure 20
Read Cycle	Symbol	Min.	Max.	
Read Set up Time	T_{RS}	10		
Read Active Time	T_{RA}	20		At least 2 SCLK
Read Hold Time	T_{RH}	2		
Read Recovery time	T_{RR}	30		At least 3 SCLK
Data Valid time	T_{DV}		10	
Data Invalid time	T_{DI}		6	

Table 18 - Read Cycle

15.6 Local Frame Buffer SBRAM Memory Interface

15.6.1 Local SBRAM Memory Interface

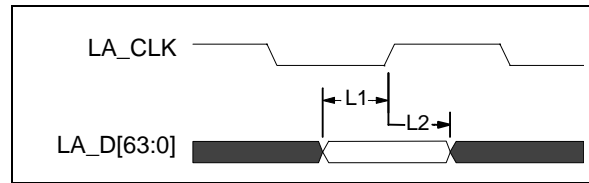


Figure 21 - Local Memory Interface – Input Setup and Hold Timing

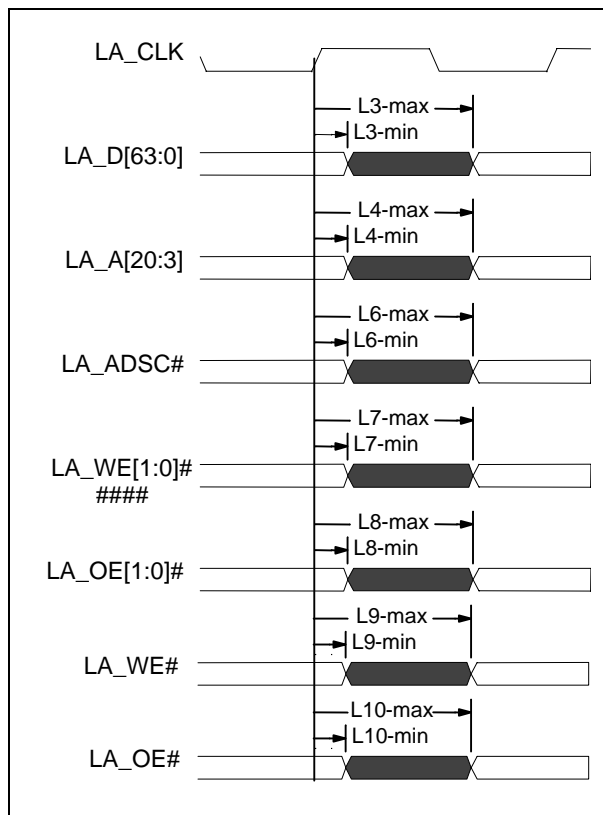


Figure 22 - Local Memory Interface - Output Valid Delay Timing

Symbol	Parameter	-100 MHz		Note
		Min. (ns)	Max. (ns)	
L1	LA_D[63:0] input set-up time	4		
L2	LA_D[63:0] input hold time	1.5		
L3	LA_D[63:0] output valid delay	1.5	7	$C_L = 25$ pf
L4	LA_A[20:3] output valid delay	2	7	$C_L = 30$ pf
L6	LA_ADSC# output valid delay	1	7	$C_L = 30$ pf
L7	LA_WE[1:0]#output valid delay	1	7	$C_L = 25$ pf
L8	LA_OE[1:0]# output valid delay	-1	1	$C_L = 25$ pf
L9	LA_WE# output valid delay	1	7	$C_L = 25$ pf
L10	LA_OE# output valid delay	1	5	$C_L = 25$ pf

Table 19 - AC Characteristics – Local Frame Buffer SBRAM Memory Interface

15.7 Local Switch Database SBRAM Memory Interface

15.7.1 Local SBRAM Memory Interface

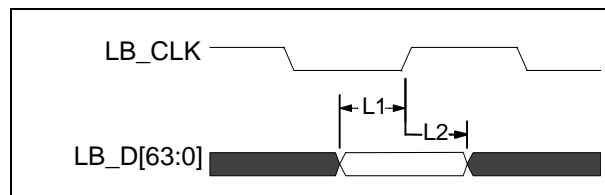


Figure 23 - Local Memory Interface – Input Setup and Hold Timing

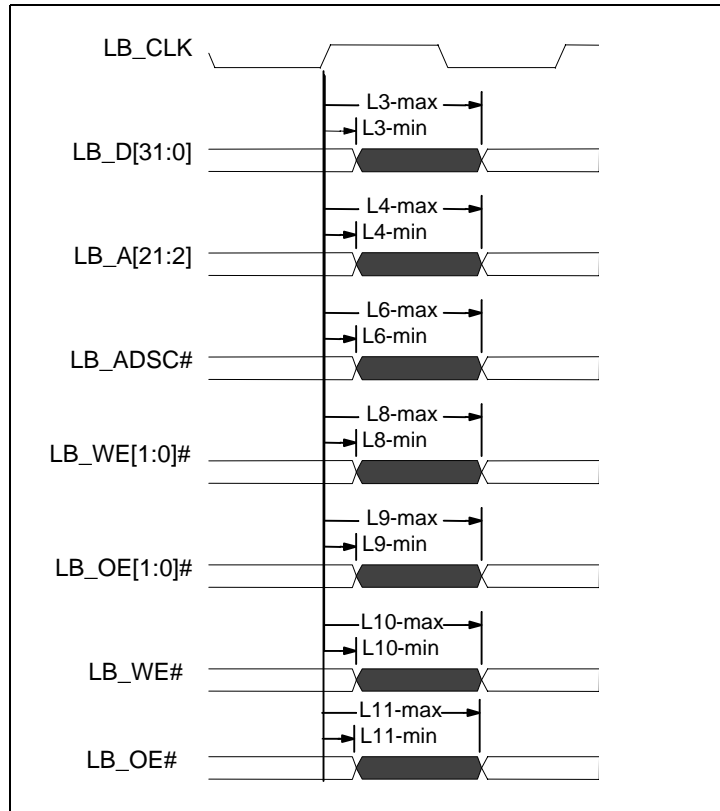


Figure 24 - Local Memory Interface - Output Valid Delay Timing

Symbol	Parameter	-100 MHz		Note
		Min. (ns)	Max. (ns)	
L1	LB_D[63:0] input set-up time	4		
L2	LB_D[63:0] input hold time	1.5		
L3	LB_D[63:0] output valid delay	1.5	7	C _L = 25 pf
L4	LB_A[20:3] output valid delay	2	7	C _L = 30 pf
L6	LB_ADSC# output valid delay	1	7	C _L = 30 pf
L8	LB_WE[1:0]# output valid delay	1	7	C _L = 25 pf
L9	LB_OE[1:0]# output valid delay	-1	1	C _L = 25 pf
L10	LB_WE# output valid delay	1	7	C _L = 25 pf
L11	LB_OE# output valid delay	1	5	C _L = 25 pf

Table 20 - AC Characteristics – Local Switch Database SBRAM Memory Interface

15.8 AC Characteristics

15.8.1 Reduced Media Independent Interface

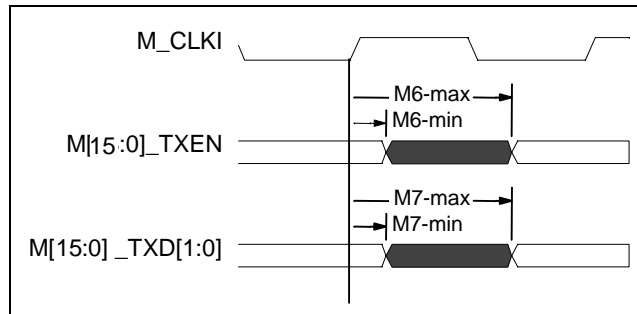


Figure 25 - AC Characteristics – Reduced Media Independent Interface

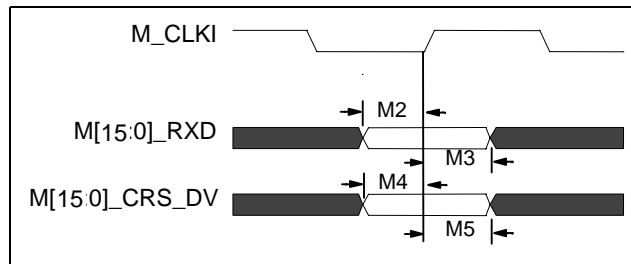


Figure 26 - AC Characteristics – Reduced Media Independent Interface

Symbol	Parameter	-50 MHz		Note
		Min. (ns)	Max. (ns)	
M2	M[15:0]_RXD[1:0] Input Setup Time	4		
M3	M[15:0]_RXD[1:0] Input Hold Time	1		
M4	M[15:0]_CRS_DV Input Setup Time	4		
M5	M[15:0]_CRS_DV Input Hold Time	1		
M6	M[15:0]_TXEN Output Delay Time	2	11	C _L = 20 pF
M7	M[15:0]_TXD[1:0] Output Delay Time	2	11	C _L = 20 pF

Table 21 - AC Characteristics – Reduced Media Independent Interface

15.8.2 Gigabit Media Independent Interface - Port A

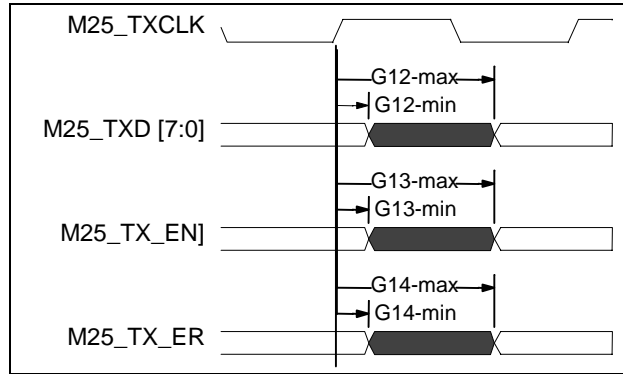


Figure 27 - AC Characteristics- GMII

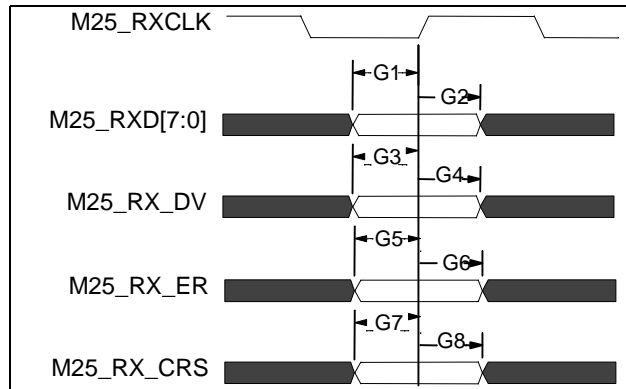


Figure 28 - AC Characteristics – Gigabit Media Independent Interface

Symbol	Parameter	-125 Mhz		Note
		Min. (ns)	Max. (ns)	
G1	M[25]_RXD[7:0] Input Setup Times	2		
G2	M[25]_RXD[7:0] Input Hold Times	1		
G3	M[25]_RX_DV Input Setup Times	2		
G4	M[25]_RX_DV Input Hold Times	1		
G5	M[25]_RX_ER Input Setup Times	2		
G6	M[25]_RX_ER Input Hold Times	1		
G7	M[25]_CRS Input Setup Times	2		
G8	M[25]_CRS Input Hold Times	1		
G12	M[25]_TXD[7:0] Output Delay Times	1	6	C _L = 20 pf
G13	M[25]_TX_EN Output Delay Times	1	6.5	C _L = 20 pf
G14	M[25]_TX_ER Output Delay Times	1	6	C _L = 20 pf

Table 22 - AC Characteristics – Gigabit Media Independent Interface

15.8.3 Ten Bit Interface - Port A

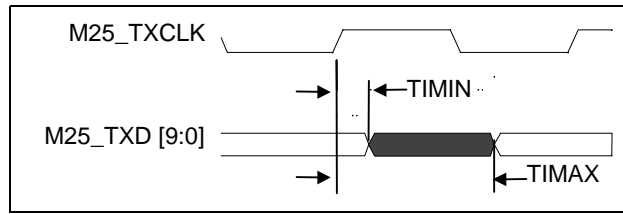


Figure 29 - Gigabit TBI Interface Transmit Timing

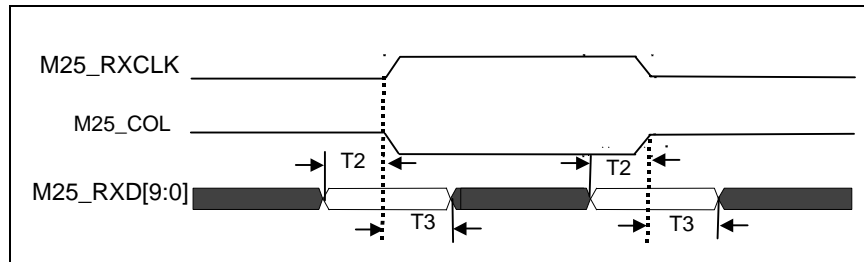


Figure 30 - Gigabit TBI Interface Receive Timing

Symbol	Parameter	Min. (ns)	Max. (ns)	Note
T1	M25_TXD[9:0] Output Delay Time	1	6	C _L = 20 pf

Table 23 - Output Delay Timing

Symbol	Parameter	Min. (ns)	Max. (ns)	Note
T2	M25_RXD[9:0] Input Setup Time	3		
T3	M25_RXD[9:0] Input Hold Time	3		

Table 24 - Input Setup Timing

15.8.4 Gigabit Media Independent Interface - Port B

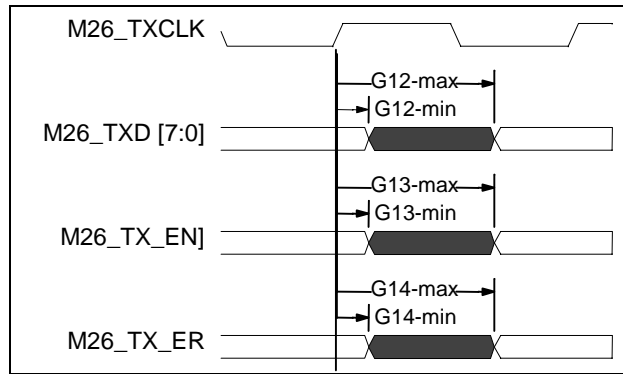


Figure 31 - AC Characteristics- GMII

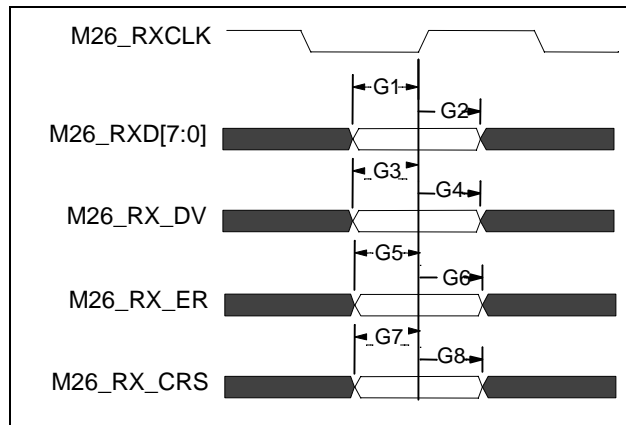


Figure 32 - AC Characteristics – Gigabit Media Independent Interface

Symbol	Parameter	-125 Mhz		Note
		Min. (ns)	Max. (ns)	
G1	M[26]_RXD[7:0] Input Setup Times	2		
G2	M[26]_RXD[7:0] Input Hold Times	1		
G3	M[26]_RX_DV Input Setup Times	2		
G4	M[26]_RX_DV Input Hold Times	1		
G5	M[26]_RX_ER Input Setup Times	2		
G6	M[26]_RX_ER Input Hold Times	1		
G7	M[26]_CRS Input Setup Times	2		
G8	M[26]_CRS Input Hold Times	1		
G12	M[26]_TXD[7:0] Output Delay Times	1	6	C _L = 20 pf

Table 25 - AC Characteristics – Gigabit Media Independent Interface

Symbol	Parameter	-125 Mhz		Note
		Min. (ns)	Max. (ns)	
G13	M[26]_TX_EN Output Delay Times	1	6.5	C _L = 20 pf
G14	M[26]_TX_ER Output Delay Times	1	6	C _L = 20 pf

Table 25 - AC Characteristics – Gigabit Media Independent Interface (continued)

15.8.5 Ten Bit Interface - Port B

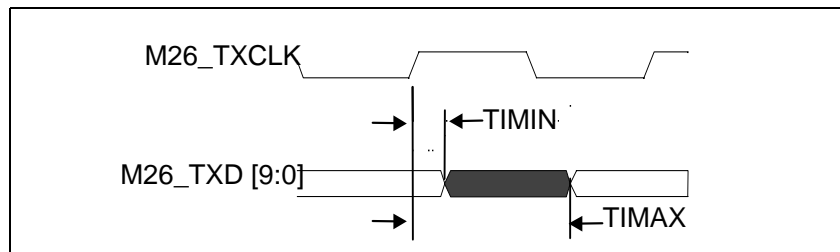


Figure 33 - Gigabit TBI Interface Transmit Timing

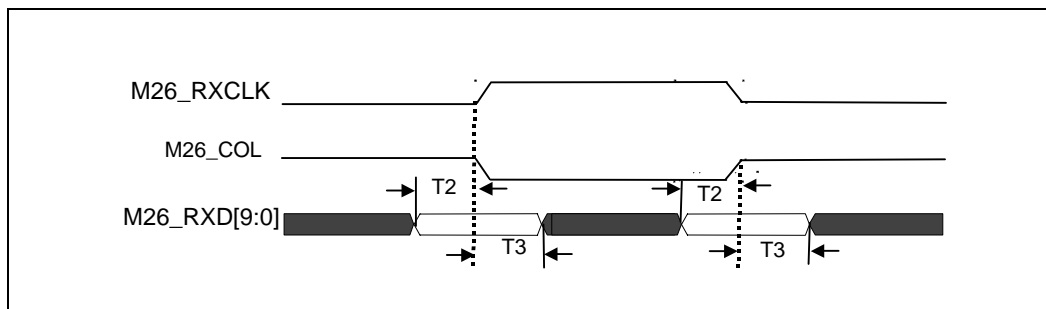


Figure 34 - Gigabit TBI Interface Timing

Symbol	Parameter	Min. (ns)	Max. (ns)	Note
T1	M26_TXD[9:0] Output Delay Time	1	6	C _L = 20 pf

Table 26 - Output Delay Timing

Symbol	Parameter	Min. (ns)	Max. (ns)	Note
T2	M26_RXD[9:0] Input Setup Time	3		
T3	M26_RXD[9:0] Input Hold Time	3		

Table 27 - Input Setup Timing

15.8.6 LED Interface

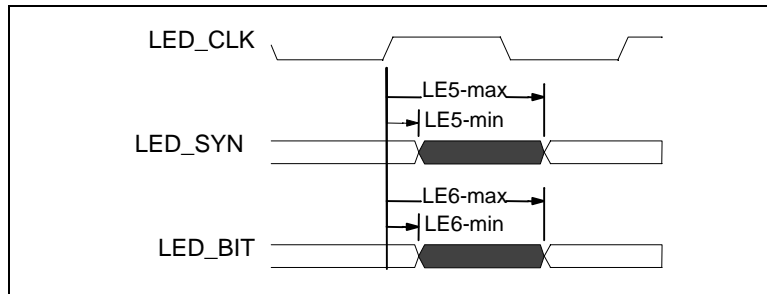


Figure 35 - AC Characteristics – LED Interface

Symbol	Parameter	Variable FREQ.		Note
		Min. (ns)	Max. (ns)	
LE5	LED_SYN Output Valid Delay	-1	7	$C_L = 30$ pf
LE6	LED_BIT Output Valid Delay	-1	7	$C_L = 30$ pf

Table 28 - AC Characteristics – LED Interface

15.8.7 SCANLINK SCANCOL Output Delay Timing

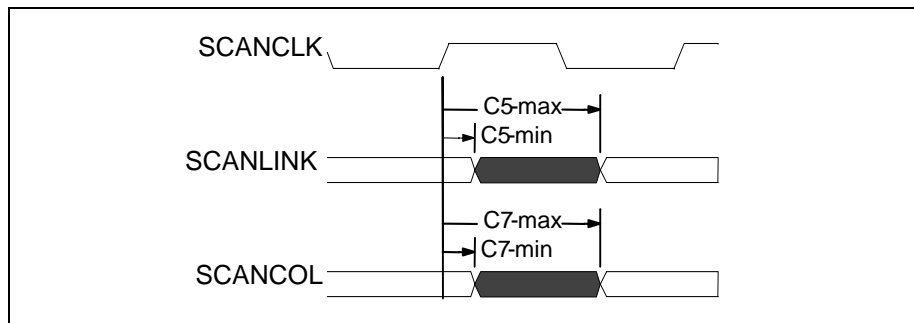


Figure 36 - SCANLINK SCANCOL Output Delay Timing

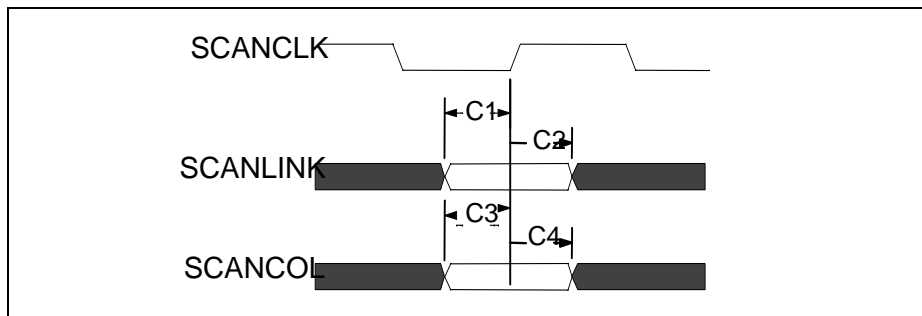


Figure 37 - SCANLINK, SCANCOL Setup Timing

Symbol	Parameter	-25 MHz		Note
		Min. (ns)	Max. (ns)	
C1	SCANLINK input set-up time	20		
C2	SCANLINK input hold time	2		
C3	SCANCOL input setup time	20		
C4	SCANCOL input hold time	1		
C5	SCANLINK output valid delay	0	10	$C_L = 30 \text{ pf}$
C7	SCANCOL output valid delay	0	10	$C_L = 30 \text{ pf}$

Table 29 - SCANLINK, SCANCOL Timing

15.8.8 MDIO Input Setup and Hold Timing

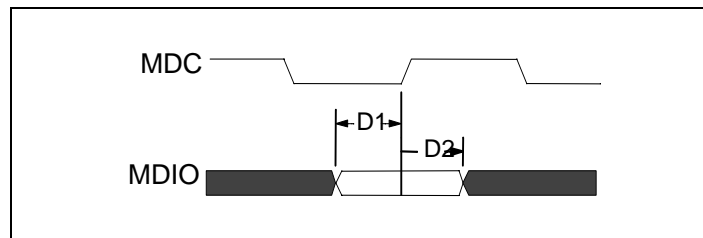


Figure 38 - MDIO Input Setup and Hold Timing

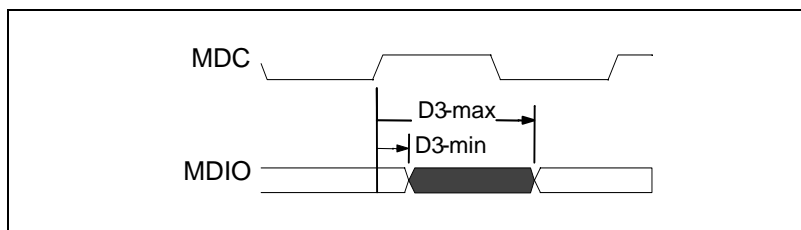
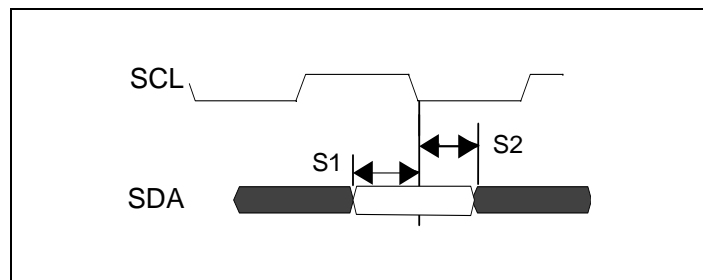
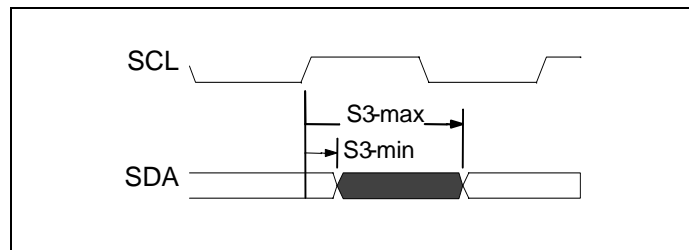


Figure 39 - MDIO Output Delay Timing

Symbol	Parameter	1 MHz		Note
		Min. (ns)	Max. (ns)	
D1	MDIO input setup time	10		
D2	MDIO input hold time	2		
D3	MDIO output delay time	1	20	$C_L = 50 \text{ pf}$

Table 30 - MDIO Timing

15.8.9 I²C Input Setup Timing

Figure 40 - I²C Input Setup TimingFigure 41 - I²C Output Delay Timing

Symbol	Parameter	50 KHz		Note
		Min. (ns)	Max. (ns)	
S1	SDA input setup time	20		
S2	SDA input hold time	1		
S3*	SDA output delay time	4 usec	6 usec	$C_L = 30 \text{ pf}$

* Open Drain Output. Low to High transistor is controlled by external pullup resistor.

Table 31 - I²C Timing

15.8.10 Serial Interface Setup Timing

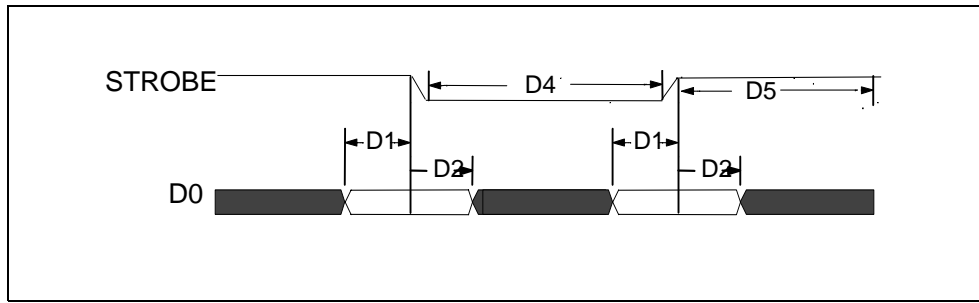


Figure 42 - Serial Interface Setup Timing

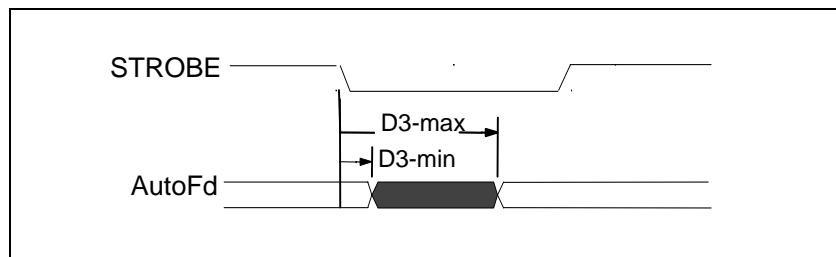
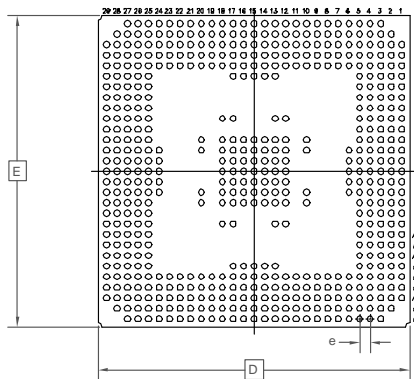
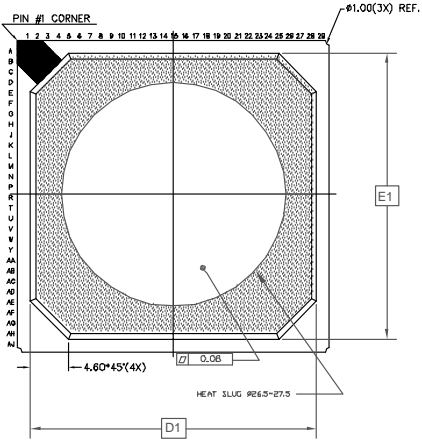


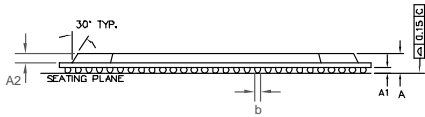
Figure 43 - Serial Interface Output Delay Timing

Symbol	Parameter	Min. (ns)	Max. (ns)	Note
D1	D0 setup time	20		
D2	D0 hold time	3 μ s		
D3	AutoFd output delay time	1	50	$C_L = 100$ pf
D4	Strobe low time	5 μ s		
D5	Strobe high time	5 μ s		

Table 32 - Serial Interface Timing



DIMENSION	MIN	MAX
A	2.20	2.46
A1	0.50	0.70
A2	1.17 REF	
D	37.30	37.70
D1	34.50 REF	
E	37.30	37.70
E1	34.50 REF	
b	0.60	0.90
e	1.27	
N	553	
Conforms to JEDEC MS - 034		



NOTE:

1. CONTROLLING DIMENSIONS ARE IN MM
2. DIMENSION "b" IS MEASURED AT THE MAXIMUM SOLDER BALL DIAMETER
3. SEATING PLANE IS DEFINED BY THE SPHERICAL CROWNS OF THE SOLDER BALLS.
4. N IS THE NUMBER OF SOLDER BALLS
5. NOT TO SCALE.
6. SUBSTRATE THICKNESS IS 0.56 MM

© Zarlink Semiconductor 2002 All rights reserved.

ISSUE	1			
ACN	213932			
DATE	20Jan03			
APPRD.				



Previous package codes:

BH / G

Package Code GK

Package Outline for 553 Ball HSBGA (37.5x37.5x2.33mm)

GPD00818



**For more information about all Zarlink products
visit our Web Site at
www.zarlink.com**

Information relating to products and services furnished herein by Zarlink Semiconductor Inc. or its subsidiaries (collectively "Zarlink") is believed to be reliable. However, Zarlink assumes no liability for errors that may appear in this publication, or for liability otherwise arising from the application or use of any such information, product or service or for any infringement of patents or other intellectual property rights owned by third parties which may result from such application or use. Neither the supply of such information or purchase of product or service conveys any license, either express or implied, under patents or other intellectual property rights owned by Zarlink or licensed from third parties by Zarlink, whatsoever. Purchasers of products are also hereby notified that the use of product in certain ways or in combination with Zarlink, or non-Zarlink furnished goods or services may infringe patents or other intellectual property rights owned by Zarlink.

This publication is issued to provide information only and (unless agreed by Zarlink in writing) may not be used, applied or reproduced for any purpose nor form part of any order or contract nor to be regarded as a representation relating to the products or services concerned. The products, their specifications, services and other information appearing in this publication are subject to change by Zarlink without notice. No warranty or guarantee express or implied is made regarding the capability, performance or suitability of any product or service. Information concerning possible methods of use is provided as a guide only and does not constitute any guarantee that such methods of use will be satisfactory in a specific piece of equipment. It is the user's responsibility to fully determine the performance and suitability of any equipment using such information and to ensure that any publication or data used is up to date and has not been superseded. Manufacturing does not necessarily include testing of all functions or parameters. These products are not suitable for use in any medical products whose failure to perform may result in significant injury or death to the user. All products and materials are sold and services provided subject to Zarlink's conditions of sale which are available on request.

Purchase of Zarlink's I²C components conveys a licence under the Philips I²C Patent rights to use these components in and I²C System, provided that the system conforms to the I²C Standard Specification as defined by Philips.

Zarlink, ZL and the Zarlink Semiconductor logo are trademarks of Zarlink Semiconductor Inc.

Copyright Zarlink Semiconductor Inc. All Rights Reserved.

TECHNICAL DOCUMENTATION - NOT FOR RESALE