

72x72 1.6 Gbps Crosspoint Switch for Digital Video Applications

M21131V

Highest Performance, Lowest Power Crosspoint Switch Reduces System Cost and Complexity

Built on three generations of industry-leading crosspoint switches, the M21131V is a low-power CMOS, high-speed 72x72 crosspoint switch with robust signal conditioning circuits for driving and receiving high-speed signals through backplanes.

The device supports data rates from 0 to 1.6 Gbps on each channel, allowing any combination of SD (143-540 Mbps) or HD (1.4835-1.485 Gbps) digital video traffic, while consuming as low as 6 W of power (typical) with all channels operational. In addition, the PowerScaler™ features offer dynamically scalable switch settings to further reduce power consumption. Unused portions of the core can be automatically (SmartPower™) or manually turned off, without effecting the operation of the remaining channels.

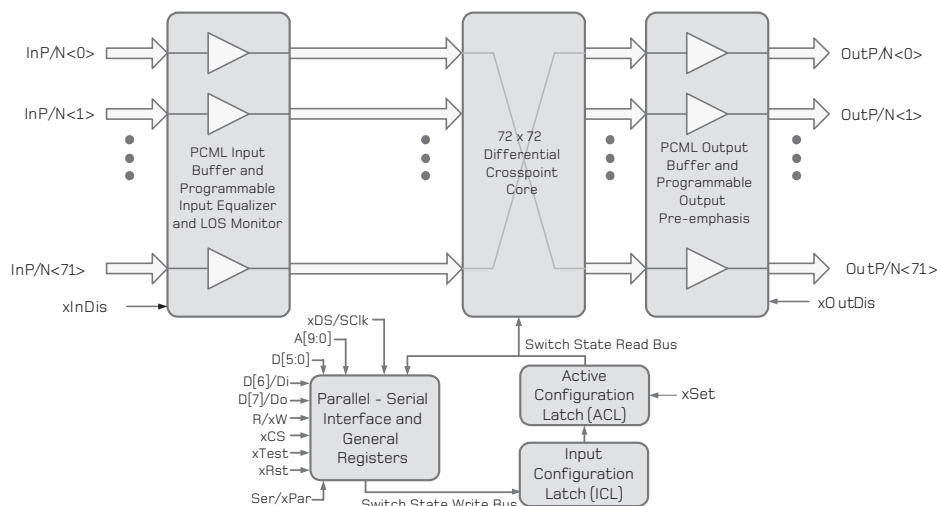
The signal conditioning features of the M21131V include per channel programmable input equalizer (IE) and output pre-emphasis (PE) circuits. The IE removes ISI jitter, which is usually caused by PCB skin effect losses.

KEY FEATURES

- Independent per channel traffic rates of 0 to 1.6 Gbps
- Supports SD (143-540 Mbps) or HD (1.4835-1.485 Gbps) rates
- Low-power consumption of 6 W
- Programmable input equalizer to reduce deterministic jitter (ISI)
- Input signal activity monitoring
- Programmable output pre-emphasis for driving long board traces and cables
- PowerScaler for further power reduction based on system needs

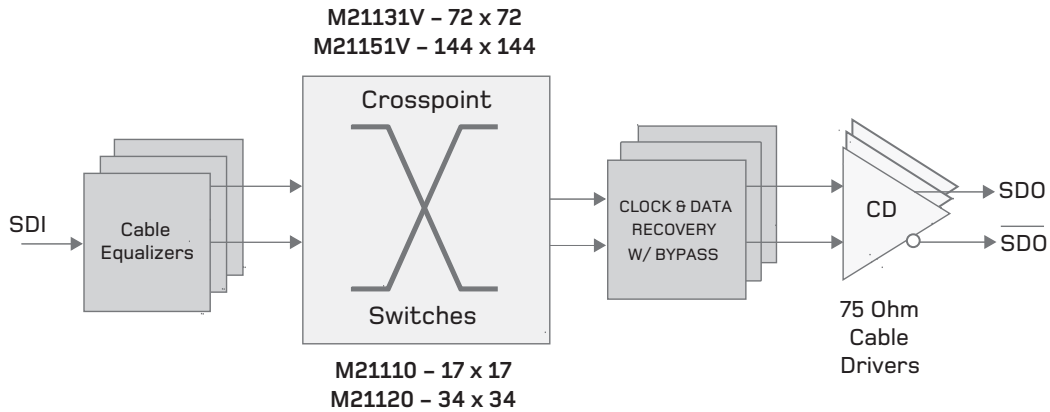
The IE circuit opens the input data eye in applications where long PCB traces and cables are used. There are four settings available for the input equalizer, allowing flexibility in adjusting the equalization level on a per channel basis.

The PE provides a boost of the high frequency content of the output signal, such that the data eye remains open after passing through a long interconnect of PCB traces and cables. There are two amplitude settings and two duration settings that can be selected on a global basis.

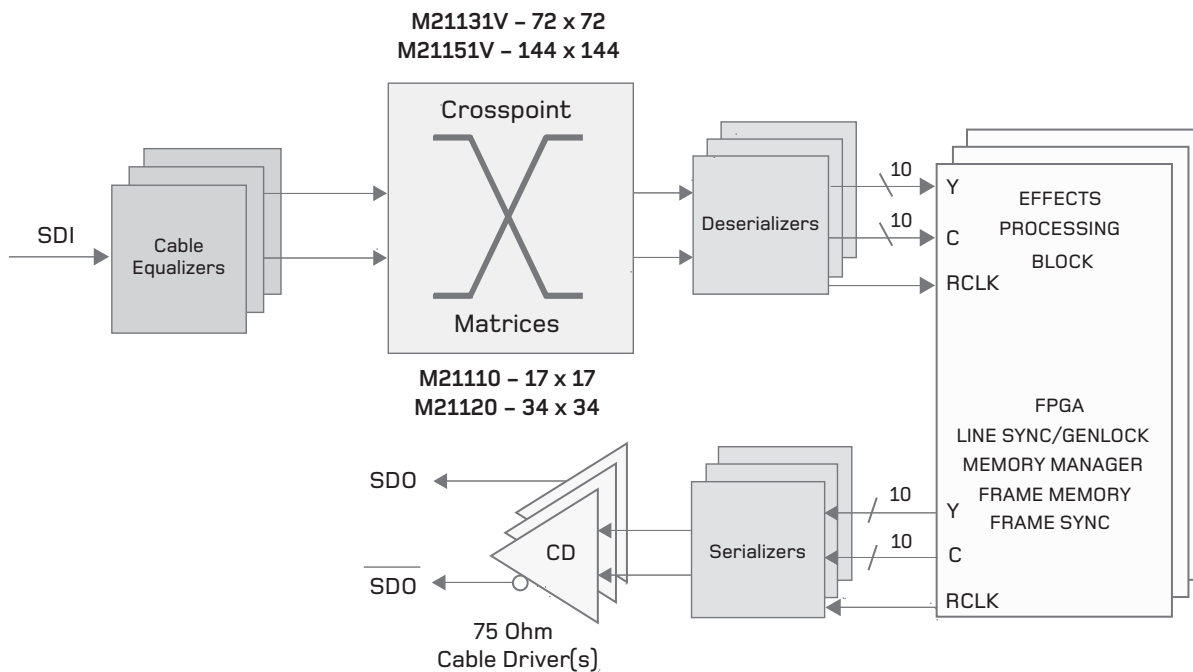


M21131V Block Diagram





Serial Routing Switchers



Production Switchers

Product Features

Applications

- Wideband (SD & HD) video systems
- Large N x N cascaded video routers
- Switching routers
- Monitor walls
- Production switchers

Ordering Information

- M21131-32P 72 x 72 1.6 Gbps video crosspoint switch
- 1156 terminal, 35 mm CBGA

www.mindspeed.com/salesoffices

General Information: (949) 579-3000
 Headquarters – Newport Beach
 4000 MacArthur Blvd., East Tower
 Newport Beach, CA 92660-3007
 21131-BRF-001-A M03-0779

© 2003 Mindspeed Technologies™. All rights reserved. Mindspeed and the Mindspeed logo are trademarks of Mindspeed Technologies. All other trademarks are the property of their respective owners. Although Mindspeed Technologies strives for accuracy in all its publications, this material may contain errors or omissions and is subject to change without notice. This material is provided as is and without any express or implied warranties, including merchantability, fitness for a particular purpose and non-infringement. Mindspeed Technologies shall not be liable for any special, indirect, incidental or consequential damages as a result of its use.

MINDSPEED
 BUILD IT FIRST™