

Duplex Quad (Octal) Multi-Rate CDR with Amplif-Eye™ (1.0 Gbps – 3.2 Gbps)

M21050

The M21050 is a high-performance duplex quad (octal) multi-rate clock and data recovery (CDR) array, optimized for multi-lane telecom and datacom applications. Each CDR operates independently at bit rates between 1.0 Gbps to 3.2 Gbps, allowing maximum flexibility in system design.

Signal conditioning features include adaptive input equalization and output pre-emphasis, allowing robust reception and transmission of signals to other devices up to 60" away.

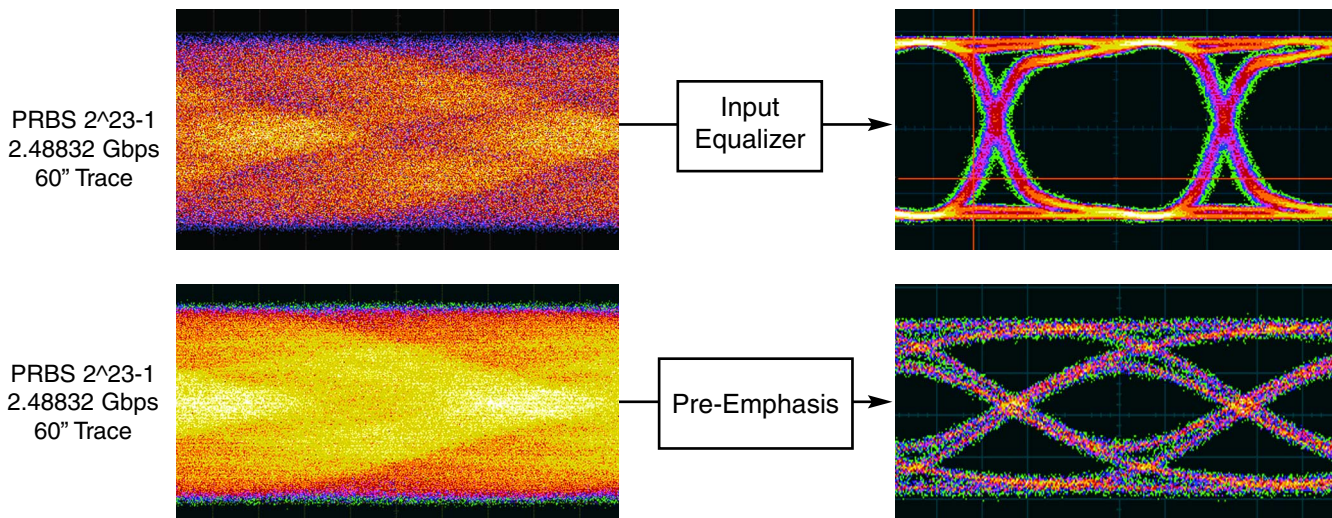
User-selectable input interface types allow AC-coupled input to CML and Infiniband. The outputs can be DC-coupled to CML or AC-coupled to Infiniband.

Frequency acquisition is accomplished with an external reference clock. The built-in frequency synthesizer allows multi-rate operation, while operating with a single reference clock.

KEY FEATURES

- Eight independent multi-rate CDRs running between 1.0 Gbps-3.2 Gbps in a duplex quad configuration
- Flexible control through I²C-compatible interface or hard-wired pins
- Power consumption of 780 mW
- Integrated **adaptive equalization** allows use of lower cost board materials with increased link performance
- Built-in pattern generator and receiver for module and system testing
- Integrated **pre-emphasis** for driving trace lengths up to 60"
- Optimized for PRBS- or 8b/10b-like data patterns
- AC-coupled input interface to CML and Infiniband

The device can be controlled either through hardwired pins or an I²C-compatible interface. The hardwired mode eliminates the need for an external micro-controller, while allowing control of the key features of the device. The I²C-compatible interface allows complete control of the device features.



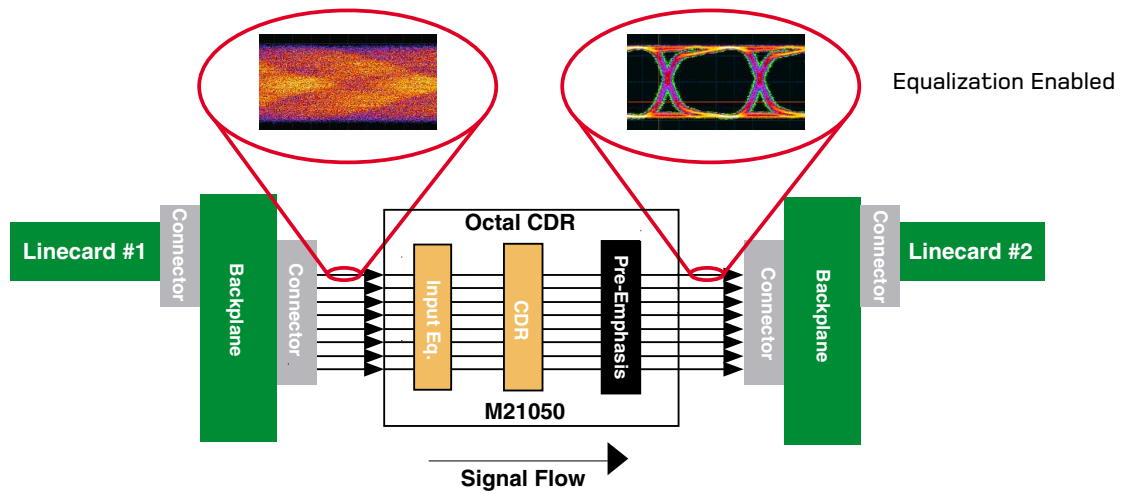


Figure 1: M21050 System Diagram - Equalization

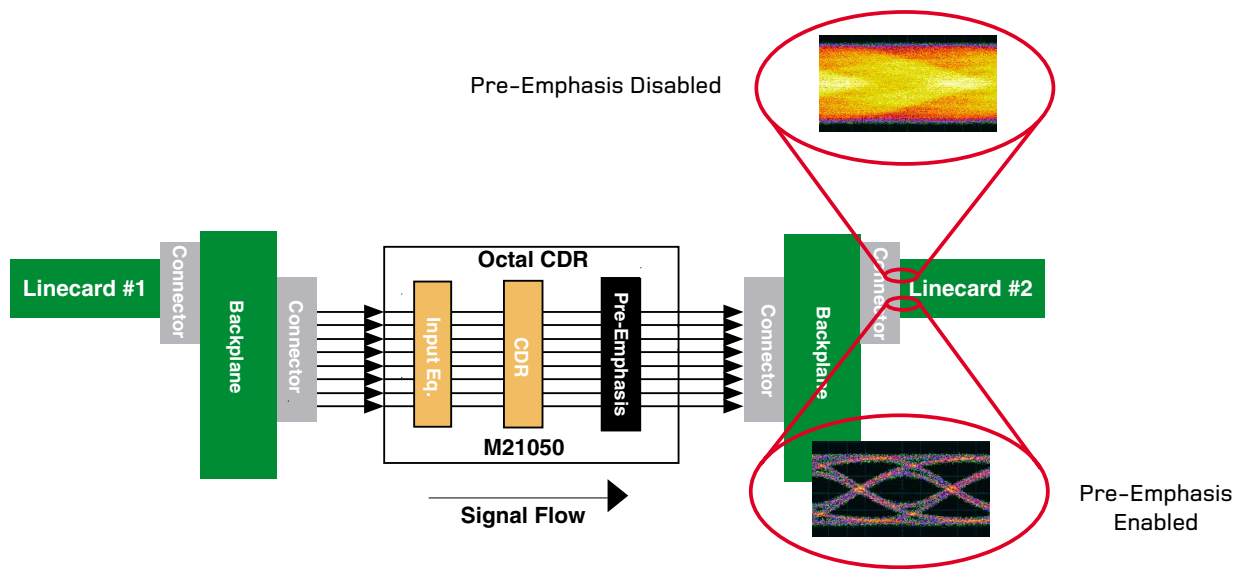


Figure 2: M21050 System Diagram - Pre-Emphasis

Product Applications

- Infiniband systems and modules
- Fibre Channel (1x, 2x, 10x) systems
- Gigabit Ethernet systems
- 10GBASE-CX4/LX4 XAUI systems & modules
- Backplane reach extension
- Storage subsystems
- PCI-Express systems

Ordering information

Number: M21050

Package data: 72-terminal, 10mm x 10mm, MLF

www.mindspeed.com/salesoffices

General Information: (949) 579-3000

Headquarters - Newport Beach

4000 MacArthur Blvd., East Tower

Newport Beach, CA 92660-3007

21050-BRF-001-B M03-0804

© 2004 Mindspeed Technologies, Inc. All rights reserved. Mindspeed and the Mindspeed logo are trademarks of Mindspeed Technologies. All other trademarks are the property of their respective owners. Although Mindspeed Technologies strives for accuracy in all its publications, this material may contain errors or omissions and is subject to change without notice. This material is provided as is and without any express or implied warranties, including merchantability, fitness for a particular purpose and non-infringement. Mindspeed Technologies shall not be liable for any special, indirect, incidental or consequential damages as a result of its use.

MINDSPEED
BUILD IT FIRST™