



VE880 Series

VoicePort™ Device
Le88311/331

APPLICATIONS

- Voice enabled Cable and DSL Modems
- Voice over IP/ATM - Integrated Access Devices (IAD)
- Smart Residential Gateways (SRG) and Routers
- Media Terminal Adapters (MTA) Standalone & Embedded
- Fiber to the User/Premise/Home (FTTH/P/H), Fiber in the Loop (FITL) Optical Network Terminals (ONT)
- Wireless Local Loop (WLL), PBX, ISDN NT1/TA
- Set-Top Box, Home Side Box

FEATURES

FXS Channel 1:

- Complete BORSCHT function in a single VoicePort™ device
 - Battery Feed, Over-voltage support, integrated Ringing, line Supervision, Codec, Hybrid (2W/4W), Test
- Integrated Power Management
 - Integrated high voltage switching regulator controller
 - Wide input voltage range (VSW = +3.3V to +35 V)
 - Low power Idle and On-hook transmission states
- Worldwide Programmability
 - Two-wire AC impedance, Balance Impedance, Gain
 - DC feed voltage and current limit
 - Ringing frequency, voltage and current limit
 - 12-kHz and 16-kHz Metering
 - Programmable loop closure and ring trip thresholds
- Ringing
 - 5 REN with pin for pin compatible 100-V (Le88311) and 150-V (Le88331) devices
 - Up to 140-Vpk internal balanced sinusoidal or trapezoidal ringing with programmable DC offset
 - Unbalanced ringing for PBX trunk compatibility (Le88331 device only)
- Powerful signal generator
 - Universal Caller ID generation
 - Up to four simultaneous tones
 - Automatic cadencing feature
- Subscriber Loop Test/Self Test support
 - Comprehensive line sensing
 - Integrated self test capabilities
 - Line fault detection and reporting
 - Test load switch (Le88331 device only)

Digital Interfaces:

- Pin-selectable PCM/MPI or GCI interface
- G.711 μ -law, A-law, or 16-bit linear coding
- Integrated 150 mW 3-V or 5-V Relay Driver
 - Supports lifeline POTS in DSL IAD applications

ORDERING INFORMATION

Device	Package
Le88311DLC	80-pin eLQFP (Green package)*
Le88331DLC	80-pin eLQFP (Green package)*

*Green Package. meets RoHS Directive 2002/95/EC of the European Council to minimize the environmental impact of electrical equipment.

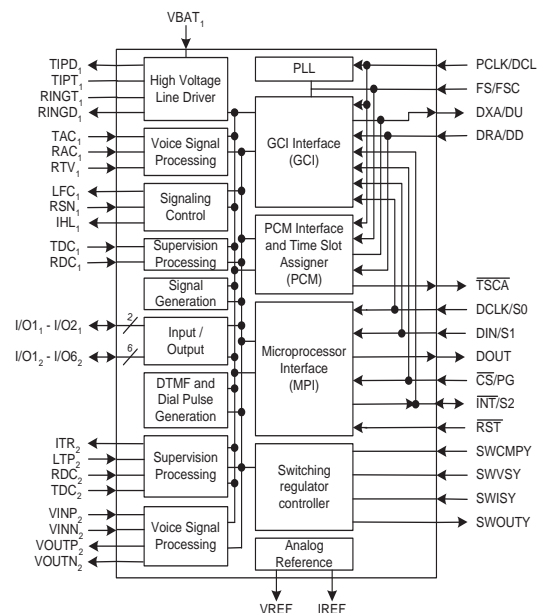
FXO Channel 2:

- In combination with a Data Access Arrangement (DAA), provides a complete phone line termination to digital interface solution
 - Ringing signal, Disconnect, Line in use and Line polarity detection
 - On hook transmission
 - Caller ID pass through
- Compatible with solid state or transformer DAA's
- Programmability
 - Two-wire AC impedance, Balance Impedance, Gain
 - Disconnect, Line in use and Line polarity thresholds
 - Ringing frequency discrimination
 - DTMF tone generators
 - Dial Pulse and DTMF timing / cadence control
 - 6 General purpose Input/Output pins

Additional Features:

- Small footprint package - Exposed pad 80-pin LQFP
- Minimal external discrete components required

BLOCK DIAGRAM



The information in this document is Preliminary and may be changed in whole or in part without notice. Legerity makes no guarantee that the device(s) described herein will ever be considered for commercialization or mass production. If you are considering using the proposed device(s) or doing any related design work, please call a Legerity sales representative for current information.

Legerity, the Legerity logo, VoicePort, SLAC and combinations thereof are trademarks of Legerity, Inc. All other brand and product names are used for identification only and may be trademarks of their respective companies.

Document ID#	081275	Date:	Feb 14, 2005
Rev:	B	Version:	1
Distribution:	Public Document		

FEATURES	BENEFITS
• Highest level of integration	• Reduces system BOM and discrete component count
• Smallest footprint	• Saves board space
• Pin-compatible options	• Provides design flexibility to develop one design and populate the voice socket with the right features for a given market—100 V or 150 V, internal balanced (sinusoidal or trapezoidal) or unbalanced ringing
• Lowest power solution across all operating modes	• Provides best solution for battery-backed and power-sensitive applications
• Highly programmable	• Offers design flexibility to develop one application for worldwide markets • Enables designer complete control over transmission and signalling features
• Integrated ring cadencing and system state control	• Reduces real-time software overhead
• Comprehensive line sensing	• Enables high performance 909 diagnostics and subscriber loop test and self test support
• Integrated switching regulator	• Enables lowest component count and highest efficiency in all states of operation
• Seamless and compatible interface with solid state or transformer DAA	• Provides complete design flexibility to choose optimal DAA solution for target market
• Highest level of integration	• Reduces system level cost and board space
• Comprehensive line monitoring	• Enables supervision functions such as disconnect, ringing signal detection, line-in-use, line polarity detection, and parallel phone off hook
• Dial pulse generation with cadence and DTMF tones	• Reduces real-time software overhead

Related Literature and Supporting Collateral

- **081309-Le88311/331 Dual-Channel VoicePort™ Device Data Sheet***
- **Le71HR0825 - VE880 Series Line Module supporting 1FXS/1FXO Up to 100-V ringing with a 12-V Buck Boost Tracking Power Supply**
- **Le71HK002 - Universal VoicePath™ Development / Demo Platform**
- **Le71SK002 - VoicePath™ API-II Software System**

*Contact your Legerity Sales Representative to obtain the data sheet.

Packaging and Availability

See *Ordering Information* on first page.

For More Information

To find the Legerity Sales Office nearest you, visit our website at: www.legerity.com/contact/

To download or order data sheets, application notes, or evaluation tools, go to: www.legerity.com/literature/

For all other technical inquiries, please contact Legerity Tech Support at: techsupport@Legerity.com

or call +1 512.228.5400

Legerity provides system solutions that accelerate the deployment of integrated voice and data networks. By combining semiconductor design expertise and advanced process technology with global applications support, Legerity develops voice and data IC solutions that enhance the performance, increase the density, reduce the power and lower the system cost of communication equipment products. In addition to providing chip sets for voice applications, Legerity offers IC solutions for Voice Over Broadband (VoB) and Integrated Voice + Data, as well as line drivers and transceivers for broadband equipment. Legerity is headquartered in Austin, Texas with offices throughout North America, Europe and Asia.