

A full Design Manual is available to qualified customers. To register, please send an email to TimingandSync@Zarlink.com.

Features

- Synchronizes with standard telecom system references and synthesizes a wide variety of protected telecom line interface clocks that are compliant with Telcordia GR-1244-CORE, GR-253-CORE, ITU-T G.813, and compatible with ITU-T G.8261 (formerly G.pactiming)
- Internal low jitter APLL provides SONET/SDH clocks including 6.48 MHz, 19.44 MHz, 38.88 MHz, 51.84 MHz and 77.76 MHz, or 25 MHz and 50 MHz Synchronous Ethernet output clocks
- Programmable output synthesizers (P0, P1) generate general purpose clock frequencies from any multiple of 8 kHz up to 100 MHz
- Jitter performance of <8 ps RMS on the low jitter APLL outputs, and <20 ps RMS on the programmable synthesizer outputs.
- Provides 8 reference inputs which support clock frequencies with any multiples of 8 kHz up to 77.76 MHz in addition to 2 kHz
- Provides two DPLLs which have independent modes of operation (locked, free-run, holdover) and optional hitless reference switching.
- Flexible input reference monitoring automatically disqualifies references based on frequency and phase irregularities
- Provides 3 sync inputs for output frame pulse alignment
- Generates several styles of output frame pulses with selectable pulse width, polarity, and frequency
- Configurable input to output delay, and output to output phase alignment
- Supports IEEE 1149.1 JTAG Boundary Scan

Ordering Information

| | | |
|-------------|-----------------|-------|
| ZL30120GGG | 100 Pin CABGA | Trays |
| ZL30120GGG2 | 100 Pin CABGA** | Trays |

**Pb Free Tin/Silver/Copper

-40°C to +85°C

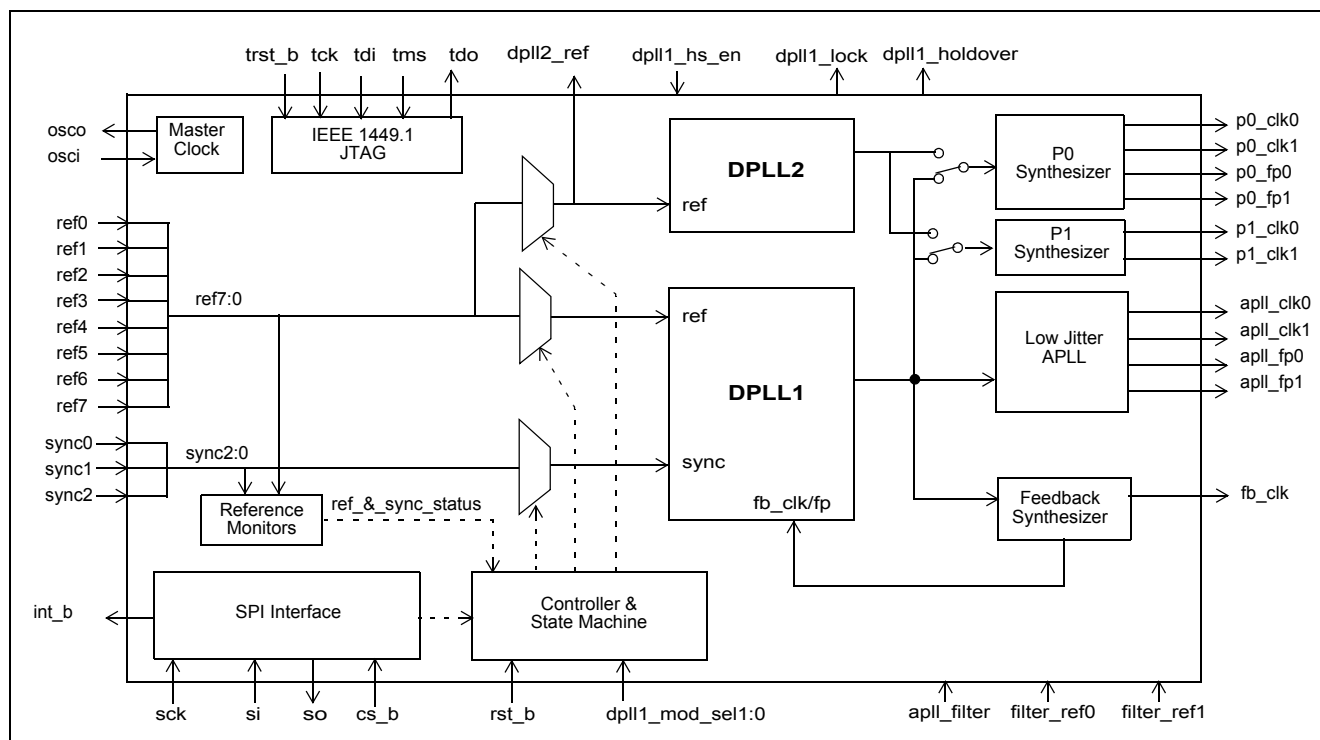


Figure 1 - Block Diagram

Applications

- AMCs for AdvancedTCA™ and MicroTCA Systems
- Synchronous Ethernet
- Multi-Service Edge Switches or Routers
- DSLAM Line Cards
- WAN Line Cards
- RNC/Mobile Switching Center Line Cards
- ADM Line Cards

Table of Contents

| | |
|--|-----------|
| 1.0 Functional Description | 11 |
| 1.1 DPLL Features | 11 |
| 1.2 DPLL Mode Control | 12 |
| 1.3 Ref and Sync Inputs | 13 |
| 1.4 Ref and Sync Monitoring | 14 |
| 1.5 Output Clocks and Frame Pulses | 15 |
| 1.6 Configurable Input-to-Output and Output-to-Output Delays | 17 |
| 2.0 Software Configuration | 18 |
| 3.0 References | 25 |

List of Figures

| | |
|---|----|
| Figure 1 - Block Diagram | 1 |
| Figure 2 - Automatic Mode State Machine | 12 |
| Figure 3 - Reference and Sync Inputs | 13 |
| Figure 4 - Output Frame Pulse Alignment | 13 |
| Figure 5 - Behaviour of the Guard Soak Timer during CFM or SCM Failures | 15 |
| Figure 6 - Output Clock Configuration | 16 |
| Figure 7 - Phase Delay Adjustments | 17 |

List of Tables

Table 1 - DPLL1 and DPLL2 Features 11
Table 2 - Set of Pre-Defined Auto-Detect Clock Frequencies 14
Table 3 - Set of Pre-Defined Auto-Detect Sync Frequencies 14
Table 4 - Output Clock and Frame Pulse Frequencies 16

Pin Description

| Pin # | Name | I/O Type | Description |
|--|--|----------------|---|
| Input Reference | | | |
| C1 B2 A3 C3 B3 B4 C4 A4 | ref0 ref1 ref2 ref3 ref4 ref5 ref6 ref7 | I _d | Input References (LVCMOS, Schmitt Trigger). These are input references available to both DPLL1 and DPLL2 for synchronizing output clocks. All eight input references can be automatically or manually selected using software registers. These pins are internally pulled down to V _{ss} . |
| B1 A1 A2 | sync0 sync1 sync2 | I _d | Frame Pulse Synchronization References (LVCMOS, Schmitt Trigger). These are the frame pulse synchronization inputs associated with input references 0, 1 and 2. These inputs accept frame pulses in a clock format (50% duty cycle) or a basic frame pulse format with minimum pulse width of 5 ns. These pins are internally pulled down to V _{ss} . |
| Output Clocks and Frame Pulses | | | |
| D10 | apll_clk0 | O | APLL Output Clock 0 (LVCMOS). This output can be configured to provide any one of the available SONET/SDH clock outputs up to 77.76 MHz, or 25 MHz and 50 MHz. The default frequency for this output is 77.76 MHz. |
| G10 | apll_clk1 | O | APLL Output Clock 1 (LVCMOS). This output can be configured to provide any one of the available SONET/APLL clock outputs up to 77.76 MHz, or 25 MHz and 50 MHz. The default frequency for this output is 19.44 MHz. |
| E10 | apll_fp0 | O | APLL Output Frame Pulse 0 (LVCMOS). This output can be configured to provide virtually any style of output frame pulse synchronized with an associated APLL output clock. The default frequency for this frame pulse output is 8 kHz. |
| F10 | apll_fp1 | O | APLL Output Frame Pulse 1 (LVCMOS). This output can be configured to provide virtually any style of output frame pulse synchronized with an associated APLL output clock. The default frequency for this frame pulse output is 2 kHz. |
| K9 | p0_clk0 | O | Programmable Synthesizer 0 - Output Clock 0 (LVCMOS). This output can be configured to provide any frequency with a multiple of 8 kHz up to 100 MHz in addition to 2 kHz. The default frequency for this output is 2.048 MHz. |
| K7 | p0_clk1 | O | Programmable Synthesizer 0 - Output Clock 1 (LVCMOS). This is a programmable clock output configurable as a multiple or division of the p0_clk0 frequency within the range of 2 kHz to 100 MHz. The default frequency for this output is 8.192 MHz. |
| K8 | p0_fp0 | O | Programmable Synthesizer 0 - Output Frame Pulse 0 (LVCMOS). This output can be configured to provide virtually any style of output frame pulse associated with the p0 clocks. The default frequency for this frame pulse output is 8 kHz. |
| J7 | p0_fp1 | O | Programmable Synthesizer 0 - Output Frame Pulse 1 (LVCMOS). This output can be configured to provide virtually any style of output frame pulse associated with the p0 clocks. The default frequency for this frame pulse output is 8 kHz. |

| Pin # | Name | I/O Type | Description |
|-------------------------|----------------------------------|----------------|--|
| J10 | p1_clk0 | O | Programmable Synthesizer 1 - Output Clock 0 (LVCMOS). This output can be configured to provide any frequency with a multiple of 8 kHz up to 100 MHz in addition to 2 kHz. The default frequency for this output is 1.544 MHz (DS1). |
| K10 | p1_clk1 | O | Programmable Synthesizer1 - Output Clock 1 (LVCMOS). This is a programmable clock output configurable as a multiple or division of the p1_clk0 frequency within the range of 2 kHz to 100 MHz. The default frequency for this output is 3.088 MHz (2x DS1). |
| H10 | fb_clk | O | Feedback Clock (LVCMOS). This output is a buffered copy of the feedback clock for DPLL1. The frequency of this output always equals the frequency of the selected reference. |
| E1 | dpll2_ref | O | DPLL2 Selected Output Reference (LVCMOS). This is a buffered copy of the output of the reference selector for DPLL2. Switching between input reference clocks at this output is not hitless. |
| Control | | | |
| H5 | rst_b | I | Reset (LVCMOS, Schmitt Trigger). A logic low at this input resets the device. To ensure proper operation, the device must be reset after power-up. Reset should be asserted for a minimum of 300 ns. |
| J5 | dpll1_hs_en | I _U | DPLL1 Hitless Switching Enable (LVCMOS, Schmitt Trigger). A logic high at this input enables hitless reference switching. A logic low disables hitless reference switching and re-aligns DPLL1's output phase to the phase of the selected reference input. This feature can also be controlled through software registers. This pin is internally pulled up to Vdd. |
| C2 D2 | dpll1_mod_sel0 dpll1_mod_sel1 | I _U | DPLL1 Mode Select 1:0 (LVCMOS, Schmitt Trigger). During reset, the levels on these pins determine the default mode of operation for DPLL1 (Automatic, Normal, Holdover or Freerun). After reset, the mode of operation can be controlled directly with these pins, or by accessing the <i>dpll1_modesel</i> register through the serial interface. This pin is internally pulled up to Vdd. |
| Status | | | |
| H1 | dpll1_lock | O | Lock Indicator (LVCMOS). This is the lock indicator pin for DPLL1. This output goes high when DPLL1's output is frequency and phase locked to the input reference. |
| J1 | dpll1_holdover | O | Holdover Indicator (LVCMOS). This pin goes high when DPLL1 enters the holdover mode. |
| Serial Interface | | | |
| E2 | sck | I | Clock for Serial Interface (LVCMOS). Serial interface clock. |
| F1 | si | I | Serial Interface Input (LVCMOS). Serial interface data input pin. |
| G1 | so | O | Serial Interface Output (LVCMOS). Serial interface data output pin. |
| E3 | cs_b | I _U | Chip Select for Serial Interface (LVCMOS). Serial interface chip select. This pin is internally pulled up to Vdd. |

| Pin # | Name | I/O Type | Description |
|--|-------------|----------------|--|
| G2 | int_b | O | Interrupt Pin (LVCMOS). Indicates a change of device status prompting the processor to read the enabled interrupt service registers (ISR). This pin is an open drain, active low and requires an external pulled up to VDD. |
| APLL Loop Filter | | | |
| A6 | apll_filter | A | External Analog PLL Loop Filter terminal. |
| B6 | filter_ref0 | A | Analog PLL External Loop Filter Reference. |
| C6 | filter_ref1 | A | Analog PLL External Loop Filter Reference. |
| JTAG and Test | | | |
| J4 | tdo | O | Test Serial Data Out (Output). JTAG serial data is output on this pin on the falling edge of tck. This pin is held in high impedance state when JTAG scan is not enabled. |
| K2 | tdi | I _u | Test Serial Data In (Input). JTAG serial test instructions and data are shifted in on this pin. This pin is internally pulled up to V _{DD} . If this pin is not used then it should be left unconnected. |
| H4 | trst_b | I _u | Test Reset (LVCMOS). Asynchronously initializes the JTAG TAP controller by putting it in the Test-Logic-Reset state. This pin should be pulsed low on power-up to ensure that the device is in the normal functional state. This pin is internally pulled up to V _{DD} . If this pin is not used then it should be connected to GND. |
| K3 | tck | I | Test Clock (LVCMOS): Provides the clock to the JTAG test logic. If this pin is not used then it should be pulled down to GND. |
| J3 | tms | I _u | Test Mode Select (LVCMOS). JTAG signal that controls the state transitions of the TAP controller. This pin is internally pulled up to V _{DD} . If this pin is not used then it should be left unconnected. |
| Master Clock | | | |
| K4 | osci | I | Oscillator Master Clock Input (LVCMOS). This input accepts a 20 MHz reference from a clock oscillator (TCXO, OCXO). The stability and accuracy of the clock at this input determines the free-run accuracy and the long term holdover stability of the output clocks. |
| K5 | osco | O | Oscillator Master Clock Output (LVCMOS). This pin must be left unconnected when the osci pin is connected to a clock oscillator. |
| Miscellaneous | | | |
| A9 A10 B5 B9 B10 C5 D1 D3 G3 | NC | | No Connection. Leave unconnected. |

| Pin # | Name | I/O Type | Description |
|--|-------------|--|---|
| J2 J6 H7 K1 | IC | | Internal Connection. Connect to ground. |
| F2 F3 K6 | IC | | Internal Connection. Leave unconnected. |
| Power and Ground | | | |
| D9 E4 G8 G9 J8 J9 H6 H8 | V_{DD} | P P P P P P P P | Positive Supply Voltage. +3.3V _{DC} nominal. |
| E8 F4 | V_{CORE} | P P | Positive Supply Voltage. +1.8V _{DC} nominal. |
| A5 A8 C10 | AV_{DD} | P P P | Positive Analog Supply Voltage. +3.3V _{DC} nominal. |
| B7 B8 H2 | AV_{CORE} | P P P | Positive Analog Supply Voltage. +1.8V _{DC} nominal. |
| D4 D5 D6 D7 E5 E6 E7 F5 F6 F7 G4 G5 G6 G7 E9 F8 F9 H9 | V_{SS} | G G G G G G G G G G G G G G G G G G | Ground. 0 Volts. |

| Pin # | Name | I/O Type | Description |
|----------------------------------|-----------|----------------------------|--------------------------------|
| A7 C7 C8 C9 D8 H3 | AV_{SS} | G G G G G G | Analog Ground. 0 Volts. |

I - Input

I_d - Input, Internally pulled down

I_u - Input, Internally pulled up

O - Output

A - Analog

P - Power

G - Ground

1.0 Functional Description

The ZL30120 Multi-Rate Line Card Synchronizer is a highly integrated device that provides timing and synchronization for network interface cards. It incorporates two independent DPLLs, each capable of locking to one of eight input references and provides a wide variety of synchronized output clocks and frame pulses.

1.1 DPLL Features

The ZL30120 provides two independently controlled Digital Phase-Locked Loops (DPLL1, DPLL2) for clock and/or frame pulse synchronization. DPLL1 is the main DPLL and is always enabled. To save on power, DPLL2 is disabled by default. For applications where DPLL2 is required, it must be enabled using the *dpll_en* bit of the *dpll2_ctrl_0* register (0x2A). Table 1 shows a feature summary for both DPLLs.

| Feature | DPLL1 | DPLL2 |
|-------------------------------------|---|---|
| Modes of Operation | Free-run, Normal (locked), Holdover | Free-run, Normal (locked), Holdover |
| Loop Bandwidth | User selectable: 14 Hz, 28 Hz, or wideband ¹ (890 Hz / 56 Hz / 14 Hz) | Fixed: 14 Hz |
| Phase Slope Limiting | User selectable: 885 ns/s, 7.5 μ s/s, 61 μ s/s, or unlimited | User selectable: 61 μ s/s, or unlimited |
| Pull-in Range | Fixed: 130 ppm | Fixed: 130 ppm |
| Holdover Parameters | Selectable Update Times: 26 ms, 1 s, 10 s, 60 s, and Selectable Holdover Post Filter BW: 18 mHz, 2.5 Hz, 10 Hz. | Fixed Update Time: 26 ms No Holdover Post Filtering |
| Holdover Frequency Accuracy | Better than 1 ppb (Stratum 3E) initial frequency offset. Frequency drift depends on the 20 MHz external oscillator. | Better than 50 ppb (Stratum 3) initial frequency offset. Frequency drift depends on the 20 MHz external oscillator. |
| Reference Inputs | Ref0 to Ref7 | Ref0 to Ref7 |
| Sync Inputs | Sync0, Sync1, Sync2 | Sync inputs are not supported. |
| Input Reference Selection/Switching | Automatic (based on programmable priority and revertiveness), or manual | Automatic (based on programmable priority and revertiveness), or manual |
| Hitless Ref Switching | Can be enabled or disabled | Can be enabled or disabled |
| Output Clocks | apll_clk0, apll_clk1, p0_clk0, p0_clk1, p1_clk0, p1_clk1, fb_clk. | p0_clk0, p0_clk1, p1_clk0, p1_clk1. |
| Output Frame Pulses | apll_fp0, apll_fp1, p0_fp0, p0_fp1 synchronized to active sync reference. | p0_fp0, p0_fp1 not synchronized to sync reference. |
| External Pins Status Indicators | Lock, Holdover | None |

Table 1 - DPLL1 and DPLL2 Features

1. In the wideband mode, the loop bandwidth depends on the frequency of the reference input. For reference frequencies equal to or greater than 64 kHz, the loop bandwidth = 890 Hz. For reference frequencies equal to or greater than 8 kHz and less than 64 kHz, the loop bandwidth = 56 Hz. For reference frequencies equal to 2 kHz, the loop bandwidth is equal to 14 Hz.

1.2 DPLL Mode Control

Both DPLL1 and DPLL2 independently support three modes of operation - free-run, normal and holdover. The mode of operation can be manually set or controlled by an automatic state machine as shown in Figure 2.

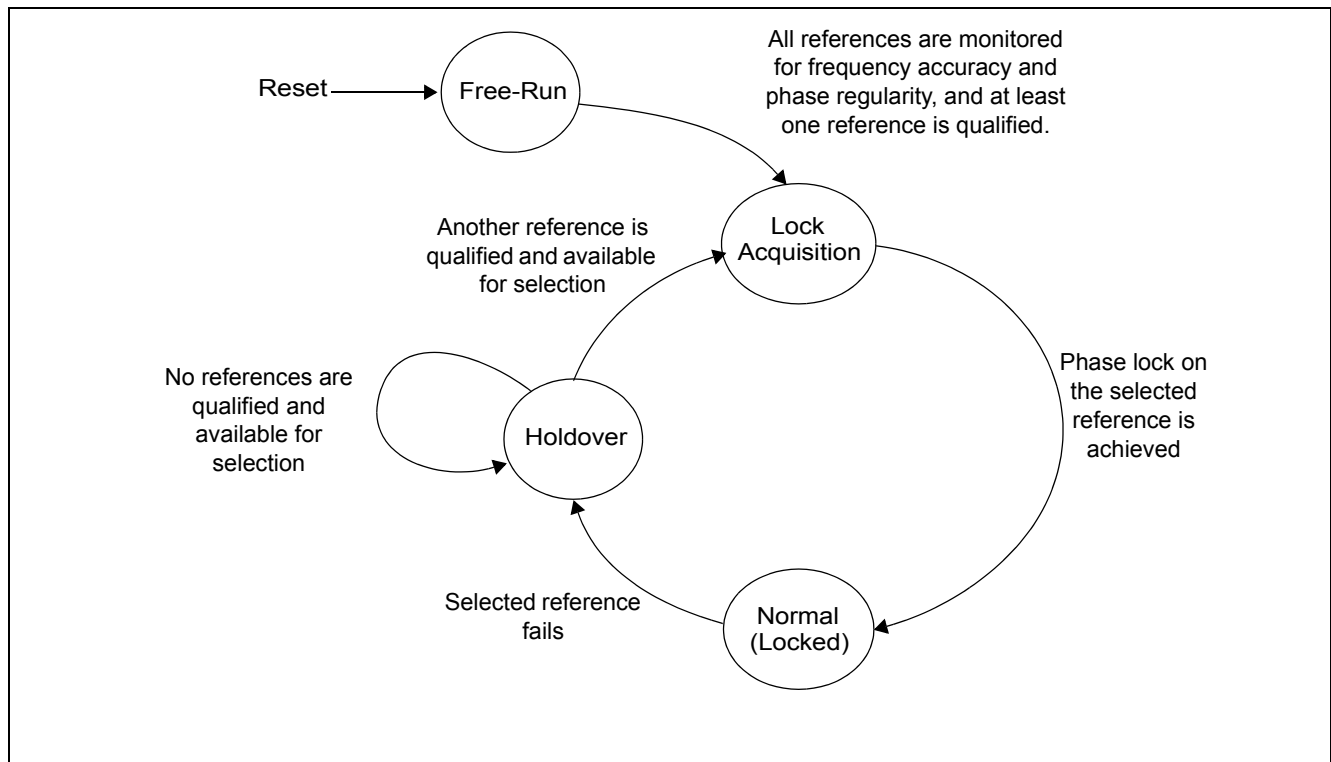


Figure 2 - Automatic Mode State Machine

Free-run

The free-run mode occurs immediately after a reset cycle or when the DPLL has never been synchronized to a reference input. In this mode, the frequency accuracy of the output clocks is equal to the frequency accuracy of the external master oscillator.

Lock Acquisition

The input references are continuously monitored for frequency accuracy and phase regularity. If at least one of the input references is qualified by the reference monitors, then the DPLL will begin lock acquisition on that input. Given a stable reference input, the ZL30120 will enter in the Normal (locked) mode.

Normal (locked)

The usual mode of operation for the DPLL is the normal mode where the DPLL phase locks to a selected qualified reference input and generates output clocks and frame pulses with a frequency accuracy equal to the frequency accuracy of the reference input. While in the normal mode, the DPLL's clock and frame pulse outputs comply with the MTIE and TDEV wander generation specifications as described in Telcordia and ITU-T telecommunication standards.

Holdover

When the DPLL operating in the normal mode loses its reference input, and no other qualified references are available, it will enter the holdover mode and continue to generate output clocks based on historical frequency data collected while the DPLL was synchronized.

1.3 Ref and Sync Inputs

There are eight reference clock inputs (**ref0** to **ref7**) available to both DPLL1 and DPLL2. The selected reference input is used to synchronize the output clocks. Each of the DPLLs have independent reference selectors which can be controlled using a built-in state machine or set in a manual mode.

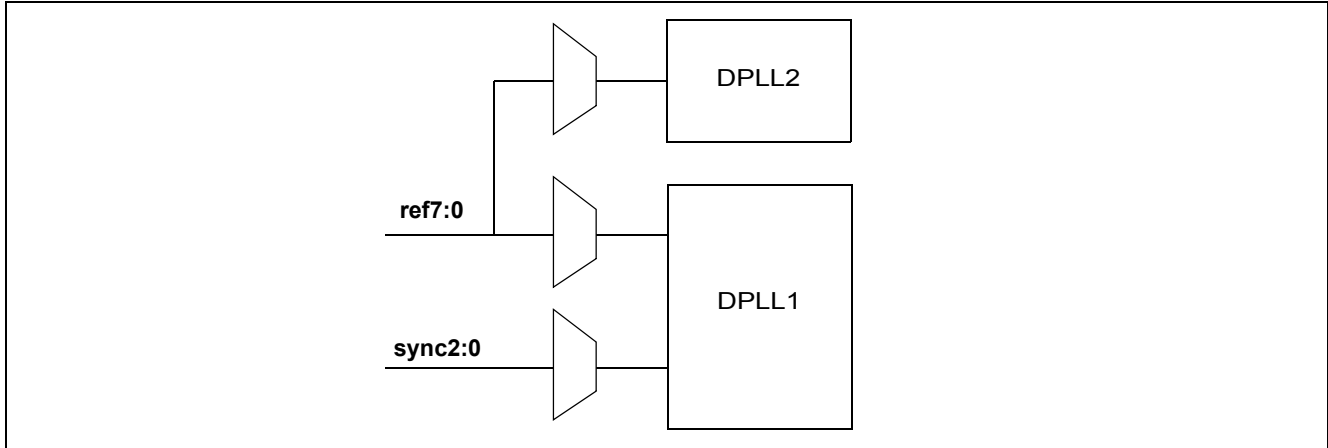


Figure 3 - Reference and Sync Inputs

In addition to the reference inputs, DPLL1 has three optional frame pulse synchronization inputs (**sync0** to **sync2**) used to align the output frame pulses. The $sync_n$ input is selected with its corresponding ref_n input, where $n = 0, 1,$ or 2 . Note that the sync input cannot be used to synchronize the DPLL, it only determines the alignment of the frame pulse outputs. An example of output frame pulse alignment is shown in Figure 4.

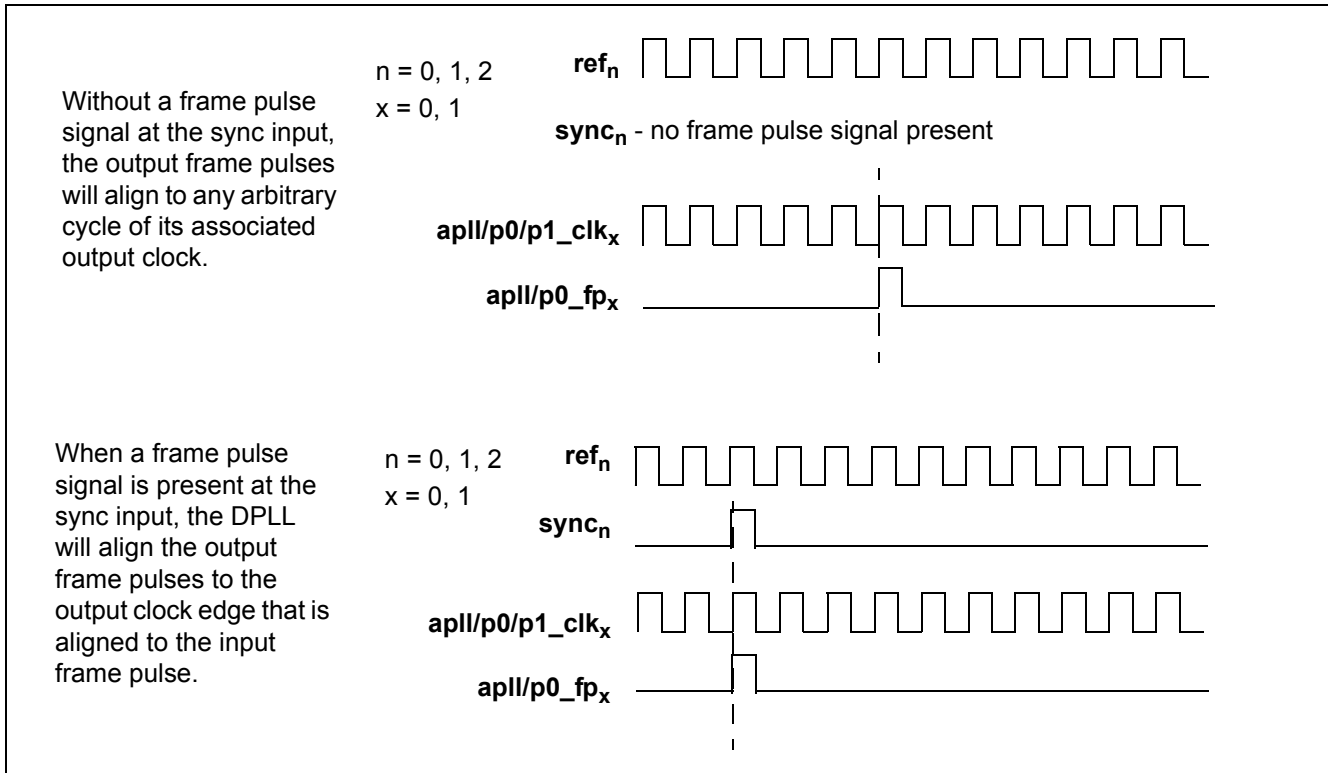


Figure 4 - Output Frame Pulse Alignment

Each of the **ref** inputs accept a single-ended LVCMOS clock with a frequency ranging from 2 kHz to 77.76 MHz. Built-in frequency detection circuitry automatically determines the frequency of the reference if its frequency is within the set of pre-defined frequencies as shown in Table 2. Custom frequencies definable in multiples of 8 kHz are also available.

| |
|------------|
| 2 kHz |
| 8 kHz |
| 64 kHz |
| 1.544 MHz |
| 2.048 MHz |
| 6.48 MHz |
| 8.192 MHz |
| 16.384 MHz |
| 19.44 MHz |
| 38.88 MHz |
| 77.76 MHz |
| Custom A |
| Custom B |

Table 2 - Set of Pre-Defined Auto-Detect Clock Frequencies

Each of the **sync** inputs accept a single-ended LVCMOS frame pulse. Since alignment is determined from the rising edge of the frame pulse, there is no duty cycle restriction on this input, but there is a minimum pulse width requirement of 5 ns. Frequency detection for the sync inputs is automatic for the supported frame pulse frequencies shown in Table 3.

| |
|---------------------------------------|
| 166.67 Hz (48x 125 μ s frames) |
| 400 Hz |
| 1 kHz |
| 2 kHz |
| 8 kHz |
| 64 kHz |

Table 3 - Set of Pre-Defined Auto-Detect Sync Frequencies

1.4 Ref and Sync Monitoring

All input references (**ref0** to **ref7**) are monitored for frequency accuracy and phase regularity. New references are qualified before they can be selected as a synchronization source, and qualified references are continuously monitored to ensure that they are suitable for synchronization. The process of qualifying a reference depends on four levels of monitoring.

Single Cycle Monitor (SCM)

The SCM block measures the period of each reference clock cycle to detect phase irregularities or a missing clock edge. In general, if the measured period deviates by more than 50% from the nominal period, then an SCM failure (**scm_fail**) is declared.

Coarse Frequency Monitor (CFM)

The CFM block monitors the reference frequency over a measurement period of 30 μs so that it can quickly detect large changes in frequency. A CFM failure (cfm_fail) is triggered when the frequency has changed by more than 3% or approximately 30000 ppm.

Precise Frequency Monitor (PFM)

The PFM block measures the frequency accuracy of the reference over a 10 second interval. To ensure an accurate frequency measurement, the PFM measurement interval is re-initiated if phase or frequency irregularities are detected by the SCM or CFM. The PFM provides a level of hysteresis between the acceptance range and the rejection range to prevent a failure indication from toggling between valid and invalid for references that are on the edge of the acceptance range.

When determining the frequency accuracy of the reference input, the PFM uses the external oscillator's output frequency (f_{ocsi}) as its point of reference.

Guard Soak Timer (GST)

The GST block mimics the operation of an analog integrator by accumulating failure events from the CFM and the SCM blocks and applying a selectable rate of decay when no failures are detected.

As shown in Figure 5, a GST failure (gst_fail) is triggered when the accumulated failures have reached the upper threshold during the disqualification observation window. When there are no CFM or SCM failures, the accumulator decrements until it reaches its lower threshold during the qualification window.

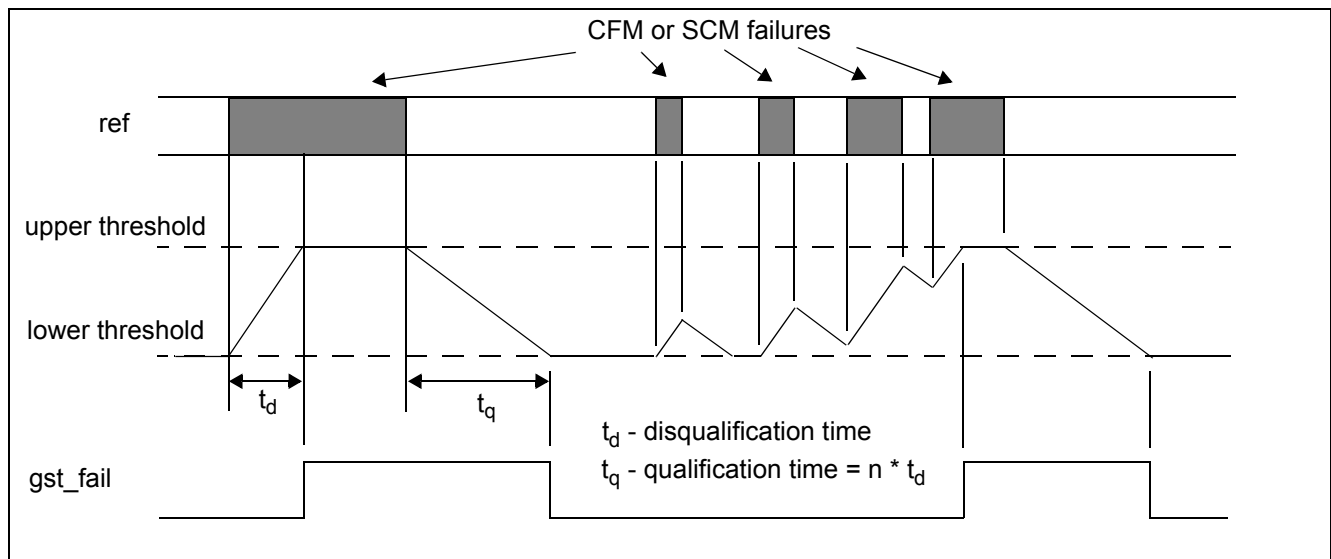


Figure 5 - Behaviour of the Guard Soak Timer during CFM or SCM Failures

All sync inputs (**sync0** to **sync2**) are continuously monitored to ensure that there is a correct number of reference clock cycles within the frame pulse period.

1.5 Output Clocks and Frame Pulses

The ZL30120 offers a wide variety of outputs including two low jitter LVCMOS (**apll_clk0**, **apll_clk1**) output clocks and four programmable LVCMOS (**p0_clk0**, **p0_clk1**, **p1_clk0**, **p1_clk1**) output clocks. In addition to the clock outputs, two LVCMOS frame pulse outputs (**apll_fp0**, **apll_fp1**) and two LVCMOS programmable frame pulses (**p0_fp0**, **p0_fp1**) are also available.

The feedback clock (**fb_clk**) of DPLL1 is available as an output clock. Its output frequency is always equal to DPLL1's selected input frequency.

The output clocks and frame pulses derived from the low jitter APLL are always synchronous with DPLL1, and the clocks and frame pulses generated from the programmable synthesizers can be synchronized to either DPLL1 or DPLL2. This allows the ZL30120 to have two independent timing paths.

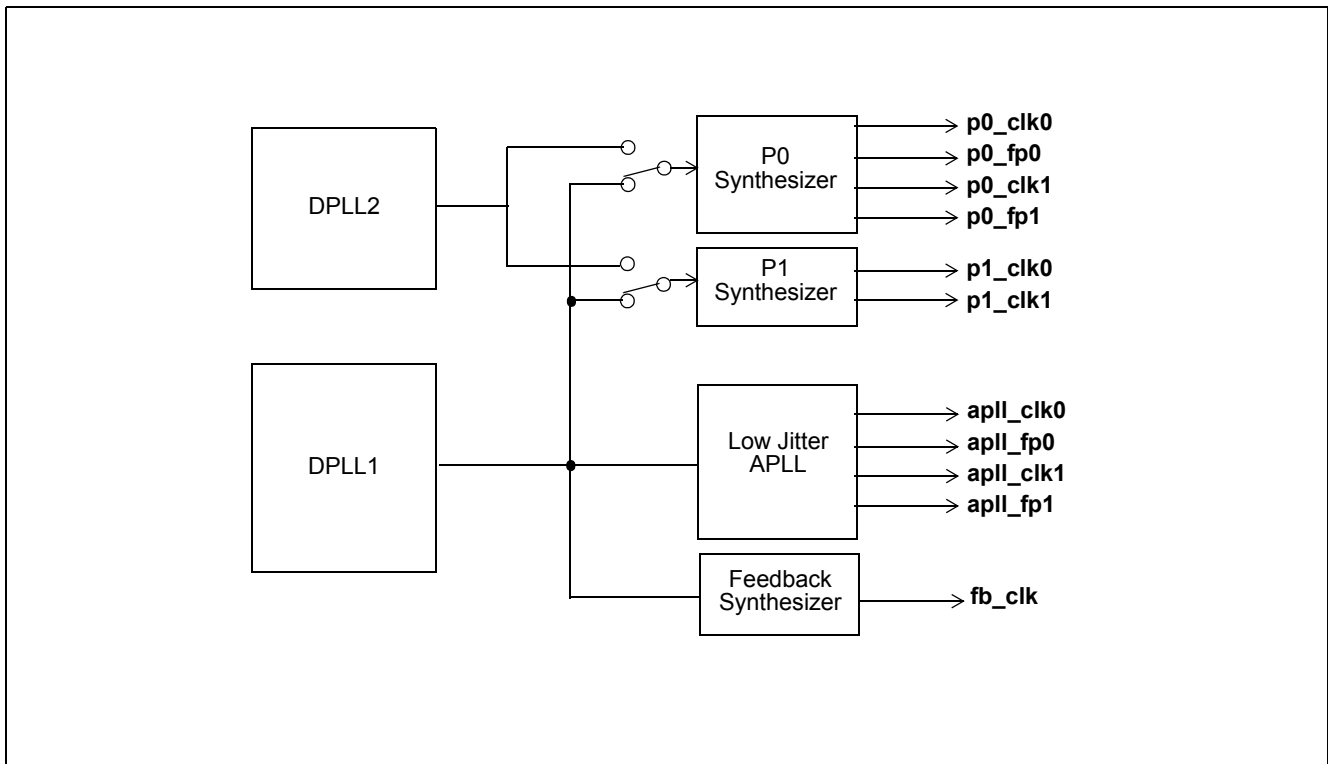


Figure 6 - Output Clock Configuration

The supported frequencies for the output clocks and frame pulses are shown in Table 4.

| apII_clk0, apII_clk1 (LVCMOS) ¹ | p0_clk0, p1_clk0 (LVCMOS) | p0_clk1, p1_clk1 (LVCMOS) | apII_fp0, apII_fp1, p0_fp0, p0_fp1 (LVCMOS) ² |
|--|---------------------------|-------------------------------------|--|
| 6.48 MHz | 2 kHz | $p_x_clk1 = \frac{p_x_clk0}{2^M}$ | 166.67 Hz (48x 125 μs frames) |
| 9.72 MHz | N * 8 kHz (up to 100 MHz) | | 400 Hz |
| 12.96 MHz | | | 1 kHz |
| 19.44 MHz | | | 2 kHz |
| 25.92 MHz | | | 4 kHz |
| 38.88 MHz | | | 8 kHz |
| 51.84 MHz | | | 32 kHz |
| 77.76 MHz | | | 64 kHz |
| 25 MHz | | | |
| 50 MHz | | | |

Table 4 - Output Clock and Frame Pulse Frequencies

1. The apII_clk_x outputs can generate either SONET/SDH or Ethernet frequencies (25 MHz, 50 MHz).
2. apII_fp_x frequencies are available only when the low jitter apII is generating SONET/SDH frequencies

1.6 Configurable Input-to-Output and Output-to-Output Delays

The ZL30120 allows programmable static delay compensation for controlling input-to-output and output-to-output delays of its clocks and frame pulses.

All of the output synthesizers (APLL, P0, P1, Feedback) locked to DPLL1 can be configured to lead or lag the selected input reference clock using the **DPLL1 Fine Delay**. The delay is programmed in steps of 119.2 ps with a range of -128 to +127 steps giving a total delay adjustment in the range of -15.26 ns to +15.14 ns. Negative values delay the output clock, positive values advance the output clock. Synthesizers that are locked to DPLL2 are unaffected by this delay adjustment.

In addition to the fine delay introduced in the DPLL1 path, the APLL, P0, and P1 synthesizers have the ability to add their own fine delay adjustments using the **P0 Fine Delay**, **P1 Fine Delay**, and **APLL Fine Delay**. These delays are also programmable in steps of 119.2 ps with a range of -128 to +127 steps.

In addition to these delays, the single-ended output clocks of the APLL, P0, and P1 synthesizers can be independently offset by 90, 180 and 270 degrees using the **Coarse Delay**. The output frame pulses (APLL, P0) can be independently offset with respect to each other using the **FP Delay**.

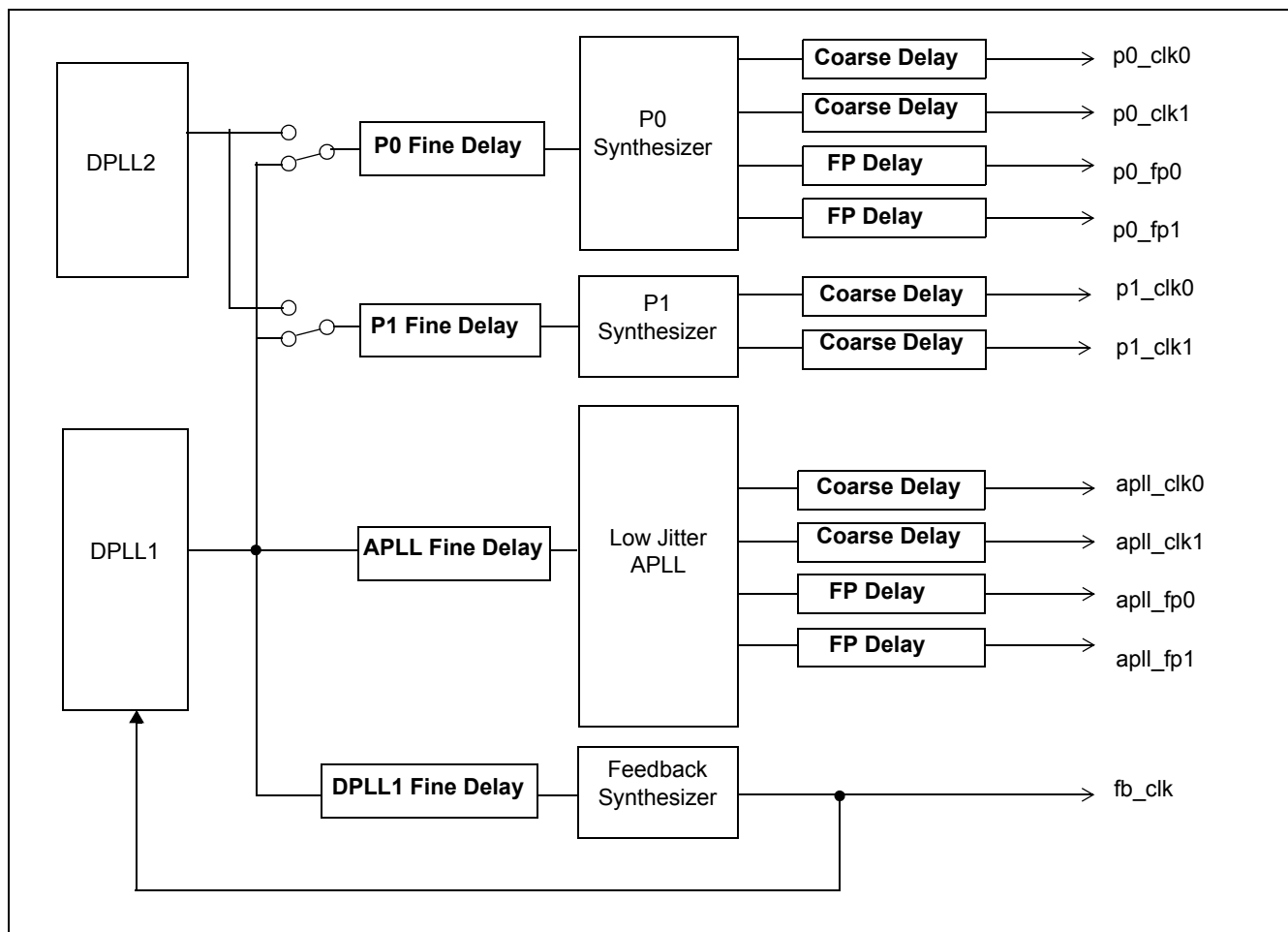


Figure 7 - Phase Delay Adjustments

2.0 Software Configuration

The ZL30120 is mainly controlled by accessing software registers through the serial peripheral interface (SPI). The device can be configured to operate in a highly automated manner which minimizes its interaction with the system's processor, or it can operate in a manual mode where the system processor controls most of the operation of the device.

The following table provides a summary of the registers available for status updates and configuration of the device.

| Addr (Hex) | Register Name | Reset Value (Hex) | Description | Type |
|--------------------------------|---------------------|-------------------|---|-------------|
| Miscellaneous Registers | | | | |
| 00 | id_reg | A4 | Chip and version identification and reset ready indication register | R |
| 01 | use_hw_ctrl | 00 | Allows some functions of the device to be controlled by hardware pins | R/W |
| Interrupts | | | | |
| 02 | ref_fail_isr | FF | Reference failure interrupt service register | R |
| 03 | dp111_isr | 70 | DPLL1 interrupt service register | Sticky R |
| 04 | dp112_isr | 00 | DPLL2 interrupt service register | Sticky R |
| 05 | ref_mon_fail_0 | FF | Ref0 and ref1 failure indications | Sticky R |
| 06 | ref_mon_fail_1 | FF | Ref2 and ref3 failure indications. | Sticky R |
| 07 | ref_mon_fail_2 | FF | Ref4 and ref5 failure indications | Sticky R |
| 08 | ref_mon_fail_3 | FF | Ref6 and ref7 failure indications | Sticky R |
| 09 | ref_fail_isr_mask | 00 | Reference failure interrupt service register mask | R/W |
| 0A | dp111_isr_mask | 00 | DPLL1 interrupt service register mask | R/W |
| 0B | dp112_isr_mask | 00 | DPLL2 interrupt service register mask | R/W |
| 0C | ref_mon_fail_mask_0 | FF | Control register to mask each failure indicator for ref0 and ref1 | R/W |
| 0D | ref_mon_fail_mask_1 | FF | Control register to mask each failure indicator for ref2 and ref3 | R/W |
| 0E | ref_mon_fail_mask_2 | FF | Control register to mask each failure indicator for ref4 and ref5 | R/W |

| Addr (Hex) | Register Name | Reset Value (Hex) | Description | Type |
|--------------------------------|---------------------|--------------------------|---|------|
| 0F | ref_mon_fail_mask_3 | FF | Control register to mask each failure indicator for ref6 and ref7 | R/W |
| Reference Monitor Setup | | | | |
| 10 | detected_ref_0 | FF | Ref0 and ref1 auto-detected frequency value status register | R |
| 11 | detected_ref_1 | FF | Ref2 and ref3 auto-detected frequency value status register | R |
| 12 | detected_ref_2 | FF | Ref4 and ref5 auto-detected frequency value status register | R |
| 13 | detected_ref_3 | FF | Ref6 and ref7 auto-detected frequency value status register | R |
| 14 | detected_sync_0 | EE | Sync0 and sync1 auto-detected frequency value and sync failure status register | R |
| 15 | detected_sync_1 | 0E | Sync2 auto-detected frequency value and sync valid status register | R |
| 16 | oor_ctrl_0 | 33 | Control register for the ref0 and ref1 out of range limit | R/W |
| 17 | oor_ctrl_1 | 33 | Control register for the ref2 and ref3 out of range limit | R/W |
| 18 | oor_ctrl_2 | 33 | Control register for the ref4 and ref5 out of range limit | R/W |
| 19 | oor_ctrl_3 | 33 | Control register for the ref6 and ref7 out of range limit | R/W |
| 1A | gst_mask_0 | FF | Control register to mask the inputs to the guard soak timer for ref0 to ref3 | R/W |
| 1B | gst_mask_1 | FF | Control register to mask the inputs to the guard soak timer for ref4 to ref7 | R/W |
| 1C | gst_qualif_time | 1A | Control register for the guard_soak_timer qualification time and disqualification time for the references | R/W |
| DPLL1 Control | | | | |
| 1D | dpll1_ctrl_0 | See Register Description | Control register for the DPLL1 filter control; phase slope limit, bandwidth and hitless switching | R/W |
| 1E | dpll1_ctrl_1 | See Register Description | Holdover update time, filter_out_en, freq_offset_en, revert enable | R/W |

| Addr (Hex) | Register Name | Reset Value (Hex) | Description | Type |
|----------------------|----------------------------|--------------------------|---|------|
| 1F | dpll1_modesel | See Register Description | Control register for the DPLL1 mode of operation | R/W |
| 20 | dpll1_refsel | 00 | DPLL1 reference selection or reference selection status | R/W |
| 21 | dpll1_ref_fail_mask | 3C | Control register to mask each failure indicator (SCM, CFM, PFM and GST) used for automatic reference switching and automatic holdover | R/W |
| 22 | dpll1_wait_to_restore | 00 | Control register to indicate the time to restore a previous failed reference | R/W |
| 23 | dpll1_ref_rev_ctrl | 00 | Control register for the ref0 to ref7 enable revertive signals | R/W |
| 24 | dpll1_ref_pri_ctrl_0 | 10 | Control register for the ref0 and ref1 priority values | R/W |
| 25 | dpll1_ref_pri_ctrl_1 | 32 | Control register for the ref2 and ref3 priority values | R/W |
| 26 | dpll1_ref_pri_ctrl_2 | 54 | Control register for the ref4 and re5 priority values | R/W |
| 27 | dpll1_ref_pri_ctrl_3 | 76 | Control register for the ref6 and ref7 priority values | R/W |
| 28 | dpll1_lock_holdover_status | 04 | DPLL1 lock and holdover status register | R |
| 29 | dpll1_pullinrange | 03 | Control register for the pull-in range | R/W |
| DPLL2 Control | | | | |
| 2A | dpll2_ctrl_0 | 00 | Control register to program the DPLL2: hitless switching, the phase slope limit and DPLL enable | R/W |
| 2B | dpll2_ctrl_1 | 04 | Control register to program the DPLL2: filter_out_en, freq_offset_en, revert enable | R/W |
| 2C | dpll2_modesel | 02 | Control register to select the mode of operation of the DPLL2 | R/W |
| 2D | dpll2_refsel | 00 | DPLL2 reference selection or reference selection status | R/W |
| 2E | dpll2_ref_fail_mask | 3C | Control register to mask each failure indicator (SCM, CFM, PFM and GST) used for automatic reference switching and automatic holdover | R/W |
| 2F | dpll2_wait_to_restore | 00 | Control register to indicate the time to restore a previous failed reference for the DPLL2 path | R/W |

| Addr (Hex) | Register Name | Reset Value (Hex) | Description | Type |
|-----------------------------------|----------------------------|-------------------|---|------|
| 30 | dpll2_ref_rev_ctrl | 00 | Control register for the ref0 to ref7 enable revertive signals | R/W |
| 31 | dpll2_ref_pri_ctrl_0 | 10 | Control register for the ref0 and ref1 priority values | R/W |
| 32 | dpll2_ref_pri_ctrl_1 | 32 | Control register for the ref2 and ref3 priority values | R/W |
| 33 | dpll2_ref_pri_ctrl_2 | 54 | Control register for the ref4 and re5 priority values | R/W |
| 34 | dpll2_ref_pri_ctrl_3 | 76 | Control register for the ref6 and ref7 priority values | R/W |
| 35 | dpll2_lock_holdover_status | 04 | DPLL2 lock and holdover status register | R |
| P0 Configuration Registers | | | | |
| 36 | p0_enable | 8F | Control register to enable p0_clk0, p0_clk1, p0_fp0, p0_fp1, the P0 synthesizer and select the source | R/W |
| 37 | p0_run | 0F | Control register to generate p0_clk0, p0_clk1, p0_fp0 and p0_fp1 | R/W |
| 38 | p0_freq_0 | 00 | Control register for the [7:0] bits of the N of N*8k clk0 | R/W |
| 39 | p0_freq_1 | 01 | Control register for the [13:8] bits of the N of N*8k clk0 | R/W |
| 3A | p0_clk0_offset90 | 00 | Control register for the p0_clk0 phase position coarse tuning | R/W |
| 3B | p0_clk1_div | 3E | Control register for the p0_clk1 frequency selection | R/W |
| 3C | p0_clk1_offset90 | 00 | Control register for the p0_clk1 phase position coarse tuning | R/W |
| 3D | p0_offset_fine | 00 | Control register for the output/output phase alignment fine tuning for p0 path | R/W |
| 3E | p0_fp0_freq | 05 | Control register to select the p0_fp0 frame pulse frequency | R/W |
| 3F | p0_fp0_type | 83 | Control register to select fp0 type | R/W |
| 40 | p0_fp0_offset_0 | 00 | Bits [7:0] of the programmable frame pulse phase offset in multiples of 1/262.14 MHz | R/W |
| 41 | p0_fp0_offset_1 | 00 | Bits [15:8] of the programmable frame pulse phase offset in multiples of 1/262.14 MHz | R/W |

| Addr (Hex) | Register Name | Reset Value (Hex) | Description | Type |
|-------------------------------------|--------------------|-------------------|--|------|
| 42 | p0_fp0_offset_2 | 00 | Bits [21:16] of the programmable frame pulse phase offset in multiples of 8 kHz cycles | R/W |
| 43 | p0_fp1_freq | 05 | Control register to select p0_fp1 frame pulse frequency | R/W |
| 44 | p0_fp1_type | 11 | Control register to select fp1 type | R/W |
| 45 | p0_fp1_offset_0 | 00 | Bits [7:0] of the programmable frame pulse phase offset in multiples of 1/262.144 MHz | R/W |
| 46 | p0_fp1_offset_1 | 00 | Bits [15:8] of the programmable frame pulse phase offset in multiples of 1/262.144 MHz | R/W |
| 47 | p0_fp1_offset_2 | 00 | Bits [21:16] of the programmable frame pulse phase offset in multiples of 8 kHz cycles | R/W |
| P1 Configuration Registers | | | | |
| 48 | p1_enable | 83 | Control register to enable p1_clk0, p1_clk1, the P1 synthesizer and select the source | R/W |
| 49 | p1_run | 03 | Control register to generate enable/disable p1_clk0 and p1_clk1 | R/W |
| 4A | p1_freq_0 | C1 | Control register for the [7:0] bits of the N of N*8k clk0 | R/W |
| 4B | p1_freq_1 | 00 | Control register for the [13:8] bits of the N of N*8k clk0 | R/W |
| 4C | p1_clk0_offset90 | 00 | Control register for the p1_clk0 phase position coarse tuning | R/W |
| 4D | p1_clk1_div | 3F | Control register for the p1_clk1 frequency selection | R/W |
| 4E | p1_clk1_offset90 | 00 | Control register for the p1_clk1 phase position coarse tuning | R/W |
| 4F | p1_offset_fine | 00 | Control register for the output/output phase alignment fine tuning | R/W |
| APLL Configuration Registers | | | | |
| 50 | apll_enable | 8F | Control register to enable apll_clk0, apll_clk1, apll_fp0, apll_fp1 and the APLL | R/W |
| 51 | apll_run | 0F | Control register to generate apll_clk0, apll_clk1, apll_fp0 and apll_fp1 | R/W |
| 52 | apll_clk_div | 42 | Control register for the apll_clk0 and apll_clk1 frequency selection | R/W |
| 53 | apll_clk0_offset90 | 00 | Control register for the apll_clk0 phase position coarse tuning | R/W |

| Addr (Hex) | Register Name | Reset Value (Hex) | Description | Type |
|--|--------------------|-------------------|---|------|
| 54 | apll_clk1_offset90 | 00 | Control register for the apll_clk1 phase position coarse tuning | R/W |
| 55 | apll_offset_fine | 00 | Control register for the output/output phase alignment fine tuning for apll path | R/W |
| 56 | apll_fp0_freq | 05 | Control register to select the apll_fp0 frame pulse frequency | R/W |
| 57 | apll_fp0_type | 23 | Control register to select fp0 type | R/W |
| 58 | apll_fp0_offset_0 | 00 | Bits [7:0] of the programmable frame pulse phase offset in multiples of 1/311.04 MHz | R/W |
| 59 | apll_fp0_offset_1 | 00 | Bits [15:8] of the programmable frame pulse phase offset in multiples of 1/311.04 MHz | R/W |
| 5A | apll_fp0_offset_2 | 00 | Bits [21:16] of the programmable frame pulse phase offset in multiples of 8 kHz cycles | R/W |
| 5B | apll_fp1_freq | 03 | Control register to select apll_fp1 frame pulse frequency | R/W |
| 5C | apll_fp1_type | 03 | Control register to select fp1 type | R/W |
| 5D | apll_fp1_offset_0 | 00 | Bits [7:0] of the programmable frame pulse phase offset in multiples of 1/311.04 MHz | R/W |
| 5E | apll_fp1_offset_1 | 00 | Bits [15:8] of the programmable frame pulse phase offset in multiples of 1/311.04 MHz | R/W |
| 5F | apll_fp1_offset_2 | 00 | Bits [21:16] of the programmable frame pulse phase offset in multiples of 8 kHz cycles | R/W |
| 60 | reserved | A3 | Leave as default | R/W |
| 61 | reserved | 53 | Leave as default | R/W |
| External Feedback Configuration | | | | |
| 62 | fb_control | 81 | Control register to enable fb_clk and the FB PLL, int/ext feedback select | R/W |
| 63 | fb_offset_fine | F5 | Control register for the output/output phase alignment fine tuning | R/W |
| 64 | reserved | | | |
| N * 8 kHz Reference Control | | | | |
| 65 | ref_freq_mode_0 | 00 | Control register to set whether to use auto detect, CustomA or CustomB for ref0 to ref3 | R/W |
| 66 | ref_freq_mode_1 | 00 | Control register to set whether to use auto detect, CustomA or CustomB for ref4 to ref7 | R/W |

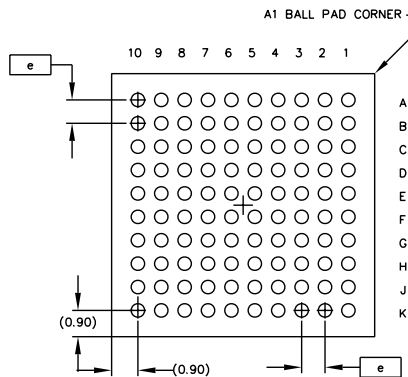
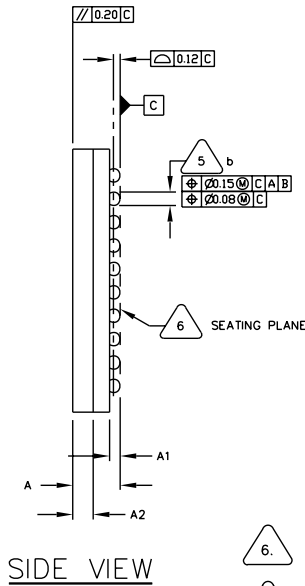
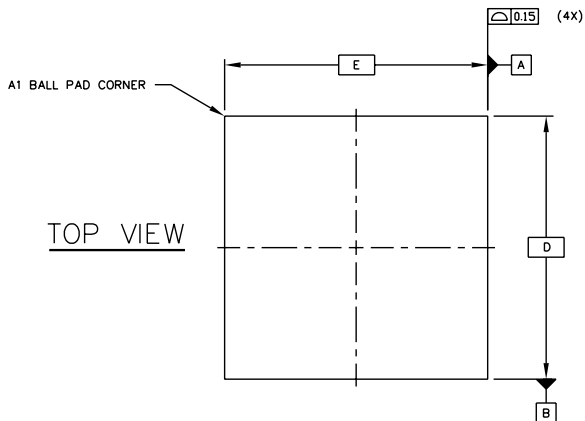
| Addr (Hex) | Register Name | Reset Value (Hex) | Description | Type |
|------------|-----------------|-------------------|--|------|
| 67 | custA_mult_0 | 00 | Control register for the [7:0] bits of the custom configuration A. This is the N integer for the N*8kHz reference monitoring. | R/W |
| 68 | custA_mult_1 | 00 | Control register for the [13:8] bits of the custom configuration A. This is the N integer for the N*8kHz reference monitoring. | R/W |
| 69 | custA_scm_low | 00 | Control register for the custom configuration A: single cycle SCM low limiter | R/W |
| 6A | custA_scm_high | 00 | Control register for the custom configuration A: single cycle SCM high limiter | R/W |
| 6B | custA_cfm_low_0 | 00 | Control register for the custom configuration A: The [7:0] bits of the single cycle CFM low limit | R/W |
| 6C | custA_cfm_low_1 | 00 | Control register for the custom configuration A: The [15:0] bits of the single cycle CFM low limit | R/W |
| 6D | custA_cfm_hi_0 | 00 | Control register for the custom configuration A: The [7:0] bits of the single cycle CFM high limit | R/W |
| 6E | custA_cfm_hi_1 | 00 | Control register for the custom configuration A: The [15:0] bits of the single cycle CFM high limiter | R/W |
| 6F | custA_cfm_cycle | 00 | Control register for the custom configuration A: CFM reference monitoring cycles - 1 | R/W |
| 70 | custA_div | 00 | Control register for the custom configuration A: enable the use of ref_div4 for the CFM and PFM inputs | R/W |
| 71 | custB_mult_0 | 00 | Control register for the [7:0] bits of the custom configuration B. This is the 8 k integer for the N*8kHz reference monitoring. | R/W |
| 72 | custB_mult_1 | 00 | Control register for the [13:8] bits of the custom configuration B. This is the 8 k integer for the N*8kHz reference monitoring. | R/W |
| 73 | custB_scm_low | 00 | Control register for the custom configuration B: single cycle SCM low limiter | R/W |
| 74 | custB_scm_high | 00 | Control register for the custom configuration B: single cycle SCM high limiter | R/W |
| 75 | custB_cfm_low_0 | 00 | Control register for the custom configuration B: The [7:0] bits of the single cycle CFM low limiter. | R/W |

| Addr (Hex) | Register Name | Reset Value (Hex) | Description | Type |
|------------|-----------------|-------------------|--|------|
| 76 | custB_cfm_low_1 | 00 | Control register for the custom configuration B: The [15:0] bits of the single cycle CFM low limiter. | R/W |
| 77 | custB_cfm_hi_0 | 00 | Control register for the custom configuration B: The [7:0] bits of the single cycle CFM high limiter. | R/W |
| 78 | custB_cfm_hi_1 | 00 | Control register for the custom configuration B: The [15:0] bits of the single cycle CFM high limiter. | R/W |
| 79 | custB_cfm_cycle | 00 | Control register for the custom configuration B: CFM reference monitoring cycles - 1 | R/W |
| 7A | custB_div | 00 | Control register for the custom configuration B: enable the use of ref_div4 for the CFM and PFM inputs | R/W |
| 7B - 7F | Reserved | | | |

3.0 References

AdvancedTCA, ATCA and the AdvancedTCA and ATCA logos are trademarks of the PCI Industrial Computer Manufacturers Group.

This datasheet provides a summary of the high level features of the ZL30120. Refer to the ZL30120 Design Manual for a more complete description.



| SYMBOL | MILLIMETER | | |
|--------|------------|------|------|
| | MIN | NOM | MAX |
| A | 1.52 | 1.62 | 1.72 |
| A1 | 0.31 | 0.36 | 0.41 |
| A2 | 0.65 | 0.70 | 0.75 |
| b | 0.46 Typ. | | |
| D | 8.85 | 9.00 | 9.15 |
| E | 8.85 | 9.00 | 9.15 |
| e | 0.8 Ref | | |
| n | 100 | | |

BOTTOM VIEW
100 SOLDER BALLS



6. PRIMARY DATUM C AND SEATING PLANE ARE DEFINED BY THE SPHERICAL CROWNS OF THE SOLDER BALLS.



5. DIMENSION b IS MEASURED AT THE MAXIMUM SOLDER BALL DIAMETER, PARALLEL TO PRIMARY DATUM C.

4. THE MAXIMUM ALLOWABLE NUMBER OF SOLDER BALLS IS 100.

3. Not to Scale.

2. THE BASIC SOLDER BALL GRID PITCH IS 0.8mm.

1. ALL DIMENSIONS AND TOLERANCES CONFORM TO ASME Y14.5M-1994.

NOTES: UNLESS OTHERWISE SPECIFIED

© Zarlink Semiconductor 2006 All rights reserved.

| ISSUE | 1 | 2 | 3 |
|--------|-----------|---------|---------|
| ACN | CDCA | CDCA | CDCA |
| DATE | 15April05 | 24Aug05 | 26Oct06 |
| APPRD. | | | |



| | |
|------------------------|---|
| Package Code | GG |
| Previous package codes | N/A |
| | Package Outline for 100ball 9x9mm, 0.8 mm Pitch, 4 layer, CABGA |
| | 111040 |



**For more information about all Zarlink products
visit our Web Site at
www.zarlink.com**

Information relating to products and services furnished herein by Zarlink Semiconductor Inc. or its subsidiaries (collectively "Zarlink") is believed to be reliable. However, Zarlink assumes no liability for errors that may appear in this publication, or for liability otherwise arising from the application or use of any such information, product or service or for any infringement of patents or other intellectual property rights owned by third parties which may result from such application or use. Neither the supply of such information or purchase of product or service conveys any license, either express or implied, under patents or other intellectual property rights owned by Zarlink or licensed from third parties by Zarlink, whatsoever. Purchasers of products are also hereby notified that the use of product in certain ways or in combination with Zarlink, or non-Zarlink furnished goods or services may infringe patents or other intellectual property rights owned by Zarlink.

This publication is issued to provide information only and (unless agreed by Zarlink in writing) may not be used, applied or reproduced for any purpose nor form part of any order or contract nor to be regarded as a representation relating to the products or services concerned. The products, their specifications, services and other information appearing in this publication are subject to change by Zarlink without notice. No warranty or guarantee express or implied is made regarding the capability, performance or suitability of any product or service. Information concerning possible methods of use is provided as a guide only and does not constitute any guarantee that such methods of use will be satisfactory in a specific piece of equipment. It is the user's responsibility to fully determine the performance and suitability of any equipment using such information and to ensure that any publication or data used is up to date and has not been superseded. Manufacturing does not necessarily include testing of all functions or parameters. These products are not suitable for use in any medical products whose failure to perform may result in significant injury or death to the user. All products and materials are sold and services provided subject to Zarlink's conditions of sale which are available on request.

Purchase of Zarlink's I²C components conveys a licence under the Philips I²C Patent rights to use these components in and I²C System, provided that the system conforms to the I²C Standard Specification as defined by Philips.

Zarlink, ZL and the Zarlink Semiconductor logo are trademarks of Zarlink Semiconductor Inc.

Copyright Zarlink Semiconductor Inc. All Rights Reserved.

TECHNICAL DOCUMENTATION - NOT FOR RESALE